

Strata Reveal Panel System

INDEX OF DRAWINGS

GENERAL DETAILS

MT_STRPH_1001 – Strata Reveal Panel (Horizontal)
 MT_STRPH_1002 – Strata Reveal Panel (Isometric)
 MT_STRPH_1003 – Reveal Detail – Option 1
 MT_STRPH_1004 – Reveal Detail – Option 2
 MT_STRPH_1005 – Reveal Detail – Option 3
 MT_STRPH_1006 – Reveal Detail – Option 4
 MT_STRPH_1007 – Reveal Options (Isometric)

TOP OF WALL DETAILS

MT_STRPH_1101 – Parapet Detail – Option 1
 MT_STRPH_1102 – Parapet Detail – Option 2
 MT_STRPH_1103 – Parapet Detail – Option 3
 MT_STRPH_1104 – Wall To Soffit Transition
 MT_STRPH_1105 – Soffit To Fascia Transition

WINDOW DETAILS

MT_STRPH_1201 – Sill Detail – Option 1
 MT_STRPH_1202 – Sill Detail – Option 2
 MT_STRPH_1203 – Sill Detail – Option 3
 MT_STRPH_1204 – Jamb Detail – Option 1
 MT_STRPH_1205 – Jamb Detail – Option 2
 MT_STRPH_1206 – Jamb Detail – Option 3
 MT_STRPH_1207 – Head Detail – Option 1
 MT_STRPH_1208 – Head Detail – Option 2
 MT_STRPH_1209 – Head Detail – Option 3
 MT_STRPH_1210 – Head Detail – Option 4

BOTTOM OF WALL DETAILS

MT_STRPH_1301 – Base Detail – Option 1
 MT_STRPH_1302 – Base Detail – Option 2

INTERIOR DETAILS

MT_STRPH_1401 – Interior Corner – Option 1
 MT_STRPH_1402 – Interior Corner – Option 2
 MT_STRPH_1403 – Interior Corner – Option 3


EXTERIOR DETAILS

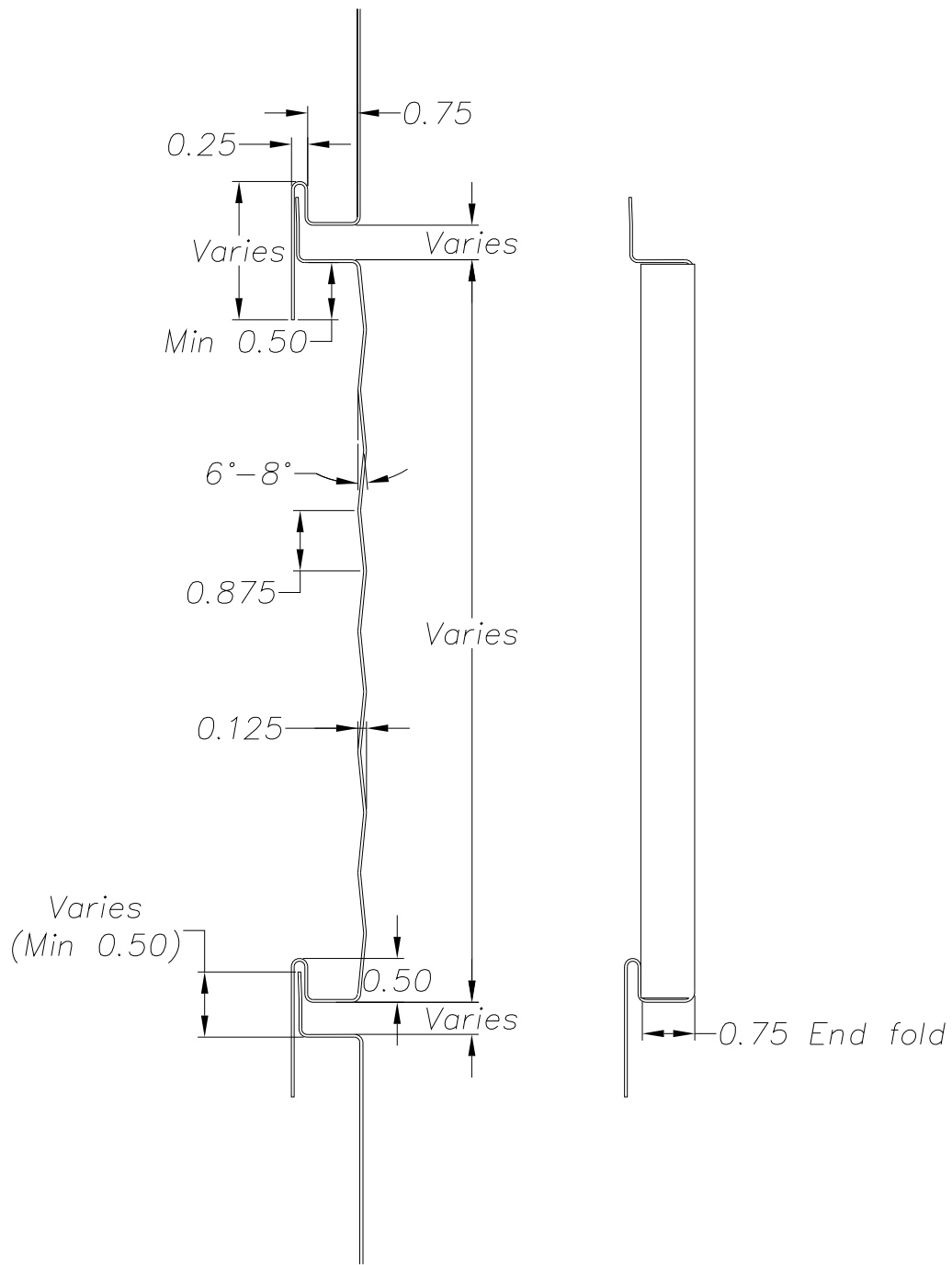
MT_STRPH_1501 – Exterior Corner – Option 1
 MT_STRPH_1502 – Exterior Corner – Option 2
 MT_STRPH_1503 – Exterior Corner – Option 3
 MT_STRPH_1504 – Exterior Corner – Option 4

END OF WALL DETAILS

MT_STRPH_1601 – End Of Wall Detail

NOTE:
 Information and details are only a baseline for system and installation. Modification to meet project requirement is the responsibility of the designer, architect and contractor. MetalTech–USA project staff are available to assist throughout the design and build process. © 2011 MetalTech–USA. All rights reserved.

 MetalTech-USA Changing Ideas Into Sustainable Reality.™ 611 Highway 74 South Suite 900 Peachtree City, GA 30269 Phone: 770-486-8825 770-631-7689	UNLESS OTHERWISE SPECIFIED DIMENSIONS ARE IN INCHES		DRAWING NAME: INDEX	REVISION NO: A	DATED CREATED: 12/18/2015
	DWG NO: MT_STRPH_0000		CHECKED BY: THENDERSON	APPROVED BY: ESIMONSEN	
	PROJECT NAME: INDEX				
	SCALE: NTS	SHEET NO: 1 OF 1	SIZE: A	TOLERANCES: ANGULAR ±1' LINEAR ±0.06	



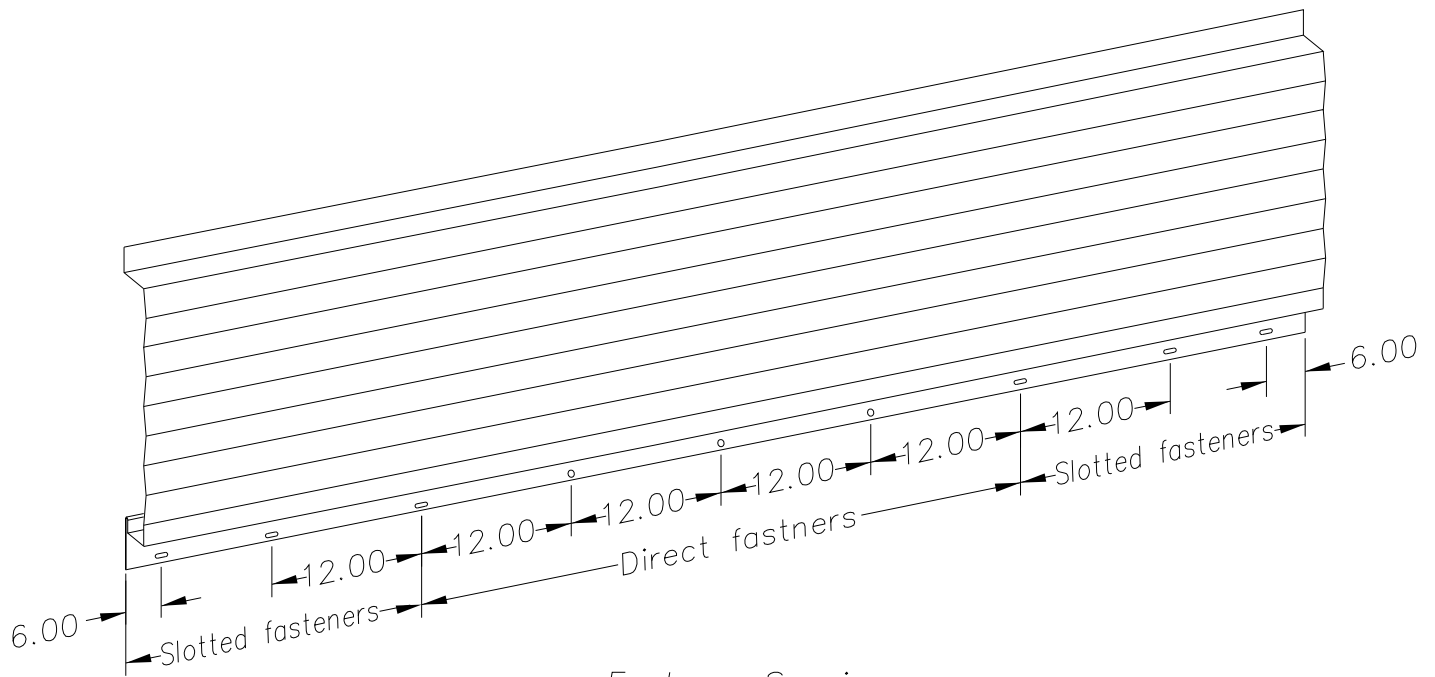
NOTE:
 Information and details are only a baseline for system and installation. Modification to meet project requirement is the responsibility of the designer, architect and contractor. MetalTech-USA project staff are available to assist throughout the design and build process. © 2011 MetalTech-USA. All rights reserved.

UNLESS OTHERWISE SPECIFIED DIMENSIONS ARE IN INCHES	DRAWING NAME: STRATA REVEAL PANEL (HORIZONTAL)		REVISION NO: A	DATED CREATED: 12/18/2015
	DWG NO: MT_STRPH_1001		CHECKED BY: THENDERSON	APPROVED BY: ESIMONSEN
PROJECT NAME: GENERAL DETAILS				
SCALE: NTS		SHEET NO: 1 OF 9	SIZE: A	TOLERANCES: ANGULAR ±1° LINEAR ±0.06



Changing Ideas Into Sustainable Reality.™


611 Highway 74 South | Suite 900
 Peachtree City, GA 30269
 Phone: 770-486-8825 | 770-631-7689

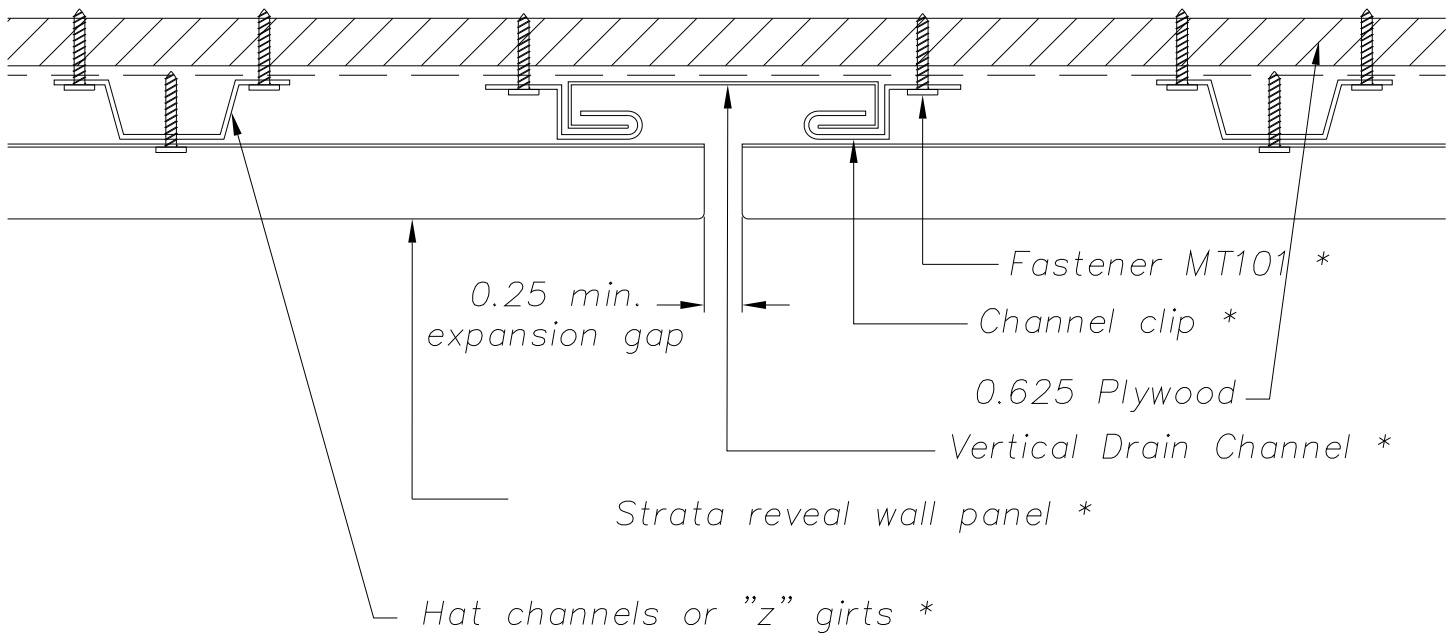


Fastener Spacing:

Stainless steel fasteners @ 12" O.C. Slotted fastener points at 12" O.C. as needed per panel. Slotted fastener points allow for expansion and contraction. Panels 8'-0" or less do not require slotted fastener holes.


NOTE:
 Information and details are only a baseline for system and installation. Modification to meet project requirement is the responsibility of the designer, architect and contractor. MetalTech-USA project staff are available to assist throughout the design and build process. © 2011 MetalTech-USA. All rights reserved.

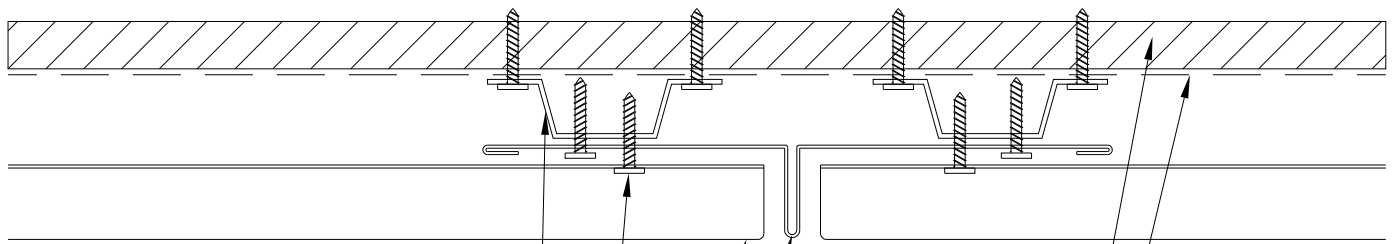
 MetalTech-USA Changing Ideas Into Sustainable Reality. [™] 611 Highway 74 South Suite 900 Peachtree City, GA 30269 Phone: 770-486-8825 770-631-7689	UNLESS OTHERWISE SPECIFIED DIMENSIONS ARE IN INCHES		DRAWING NAME: STRATA REVEAL PANEL (ISOMETRIC)	REVISION NO: A	DATED CREATED: 12/18/2015
	DWG NO: MT_STRPH_1002		CHECKED BY: THENDERSON	APPROVED BY: ESIMONSEN	
	PROJECT NAME: GENERAL DETAILS				
	SCALE: NTS	SHEET NO: 2 OF 9	SIZE: A	TOLERANCES: ANGULAR ±1° LINEAR ±0.06	



* (Supplied by
Metaltech-USA if
requested)

NOTE:
Information and details are only a baseline for system and installation. Modification to meet project requirement is the responsibility of the designer, architect and contractor. MetalTech-USA project staff are available to assist throughout the design and build process. © 2011 MetalTech-USA. All rights reserved.

UNLESS OTHERWISE SPECIFIED DIMENSIONS ARE IN INCHES	DRAWING NAME: REVEAL DETAIL - OPTION 1		REVISION NO: A	DATED CREATED: 12/18/2015	
	DWG NO: MT_STRPH_1003		CHECKED BY: THENDERSON	APPROVED BY: ESIMONSEN	
 MetalTech-USA Changing Ideas Into Sustainable Reality.™ 611 Highway 74 South Suite 900 Peachtree City, GA 30269 Phone: 770-486-8825 770-631-7689	PROJECT NAME: GENERAL DETAILS				
	SCALE: NTS	SHEET NO: 3 OF 9	SIZE: A	TOLERANCES: ANGULAR ±1° LINEAR ±0.06	



Hat channels or "z" girts *

Fastener MT101 *

Strata reveal wall panel *


Cross joint flashing *

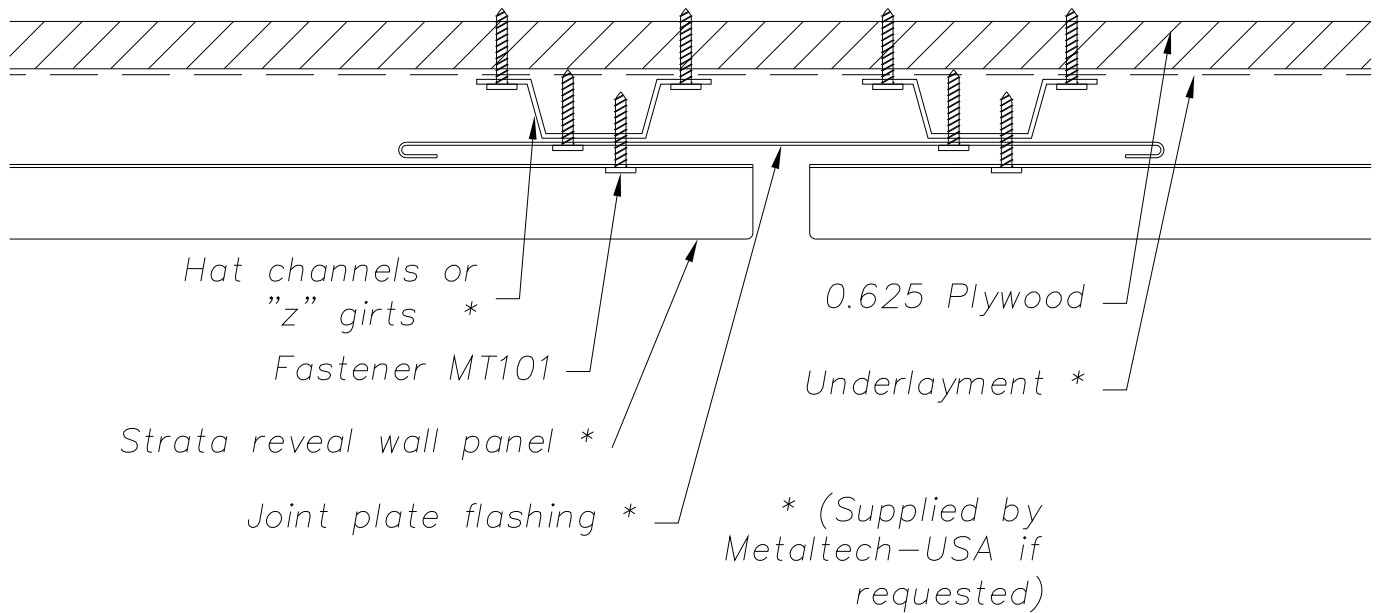
0.625 Plywood

Underlayment *

* (Supplied by Metaltech-USA if requested)

NOTE:
 Information and details are only a baseline for system and installation. Modification to meet project requirement is the responsibility of the designer, architect and contractor. MetalTech-USA project staff are available to assist throughout the design and build process. © 2011 MetalTech-USA. All rights reserved.

UNLESS OTHERWISE SPECIFIED DIMENSIONS ARE IN INCHES	DRAWING NAME: REVEAL DETAIL - OPTION 2		REVISION NO: A	DATED CREATED: 12/18/2015	
	DWG NO: MT_STRPH_1004		CHECKED BY: THENDERSON	APPROVED BY: ESIMONSEN	
 MetalTech-USA Changing Ideas Into Sustainable Reality.™ 611 Highway 74 South Suite 900 Peachtree City, GA 30269 Phone: 770-486-8825 770-631-7689	PROJECT NAME: GENERAL DETAILS				
	SCALE: NTS	SHEET NO: 4 OF 9	SIZE: A	TOLERANCES: ANGULAR ±1° LINEAR ±0.06	

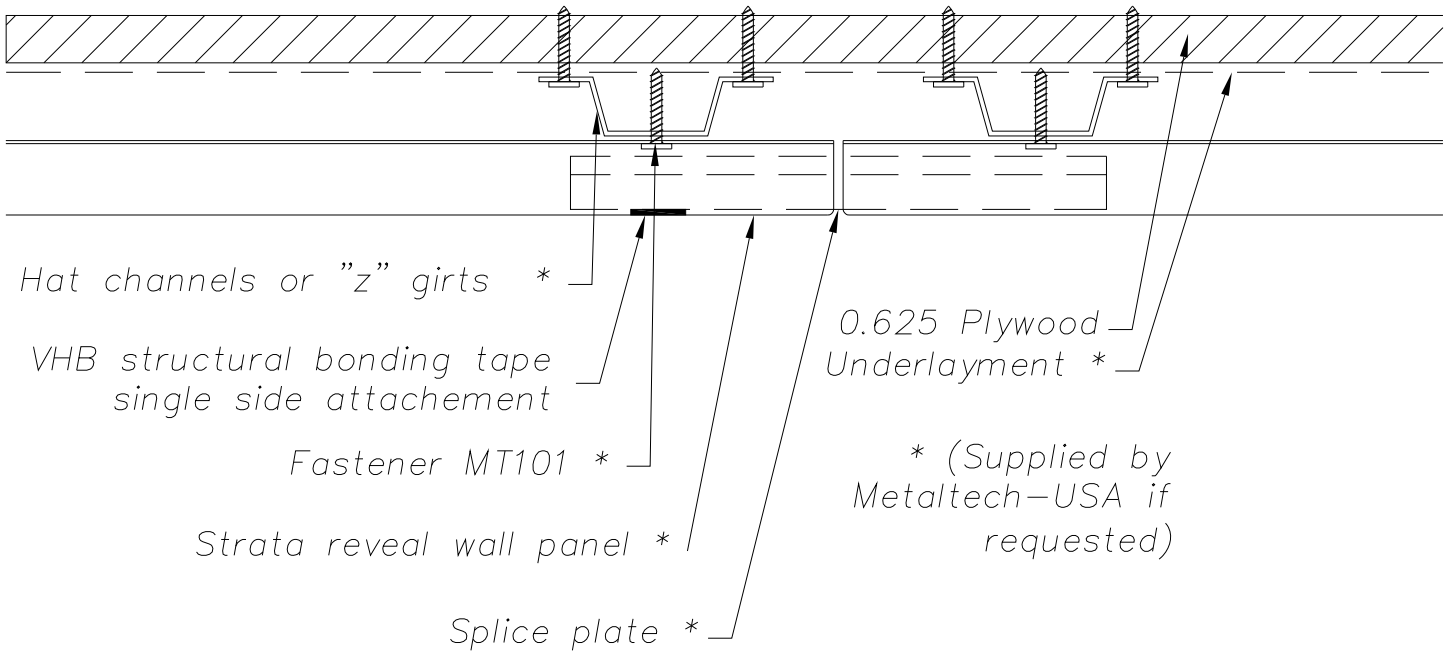


NOTE:
 Information and details are only a baseline for system and installation. Modification to meet project requirement is the responsibility of the designer, architect and contractor. MetalTech-USA project staff are available to assist throughout the design and build process. © 2011 MetalTech-USA. All rights reserved.

UNLESS OTHERWISE SPECIFIED DIMENSIONS ARE IN INCHES	DRAWING NAME: REVEAL DETAIL - OPTION 3		REVISION NO: A	DATED CREATED: 12/18/2015
	DWG NO: MT_STRPH_1005		CHECKED BY: THENDERSON	APPROVED BY: ESIMONSEN
PROJECT NAME: GENERAL DETAILS				
SCALE: NTS		SHEET NO: 5 OF 9	SIZE: A	TOLERANCES: ANGULAR ±1° LINEAR ±0.06

MetalTech-USA
 Changing Ideas Into Sustainable Reality.™

611 Highway 74 South | Suite 900
 Peachtree City, GA 30269
 Phone: 770-486-8825 | 770-631-7689



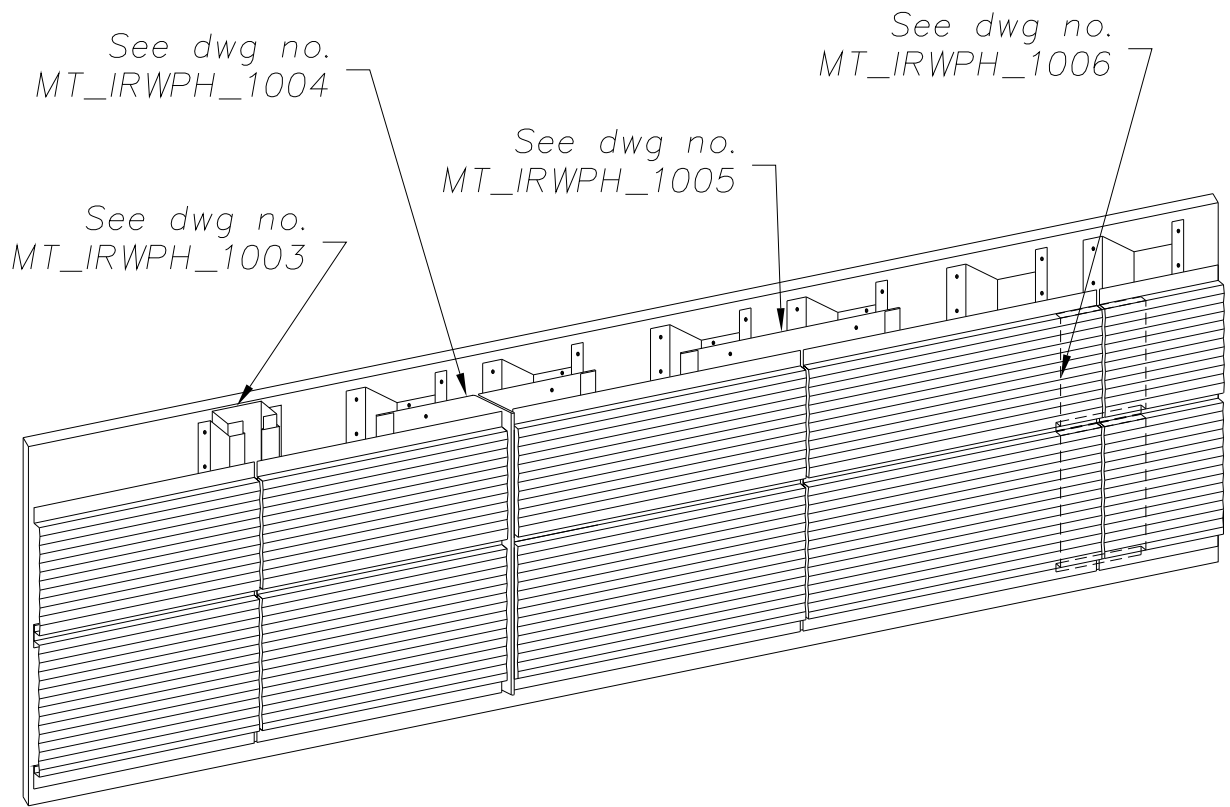
NOTE:
Information and details are only a baseline for system and installation. Modification to meet project requirement is the responsibility of the designer, architect and contractor. MetalTech-USA project staff are available to assist throughout the design and build process. © 2011 MetalTech-USA. All rights reserved.

<p>UNLESS OTHERWISE SPECIFIED DIMENSIONS ARE IN INCHES</p>	<p>DRAWING NAME: REVEAL DETAIL - OPTION 4</p>		<p>REVISION NO: A</p>	<p>DATED CREATED: 12/18/2015</p>
	<p>DWG NO: MT_STRPH_1006</p>		<p>CHECKED BY: THENDERSON</p>	<p>APPROVED BY: ESIMONSEN</p>
<p>PROJECT NAME: GENERAL DETAILS</p>				
<p>SCALE: NTS</p>		<p>SHEET NO: 6 OF 9</p>	<p>SIZE: A</p>	<p>TOLERANCES: ANGULAR ±1° LINEAR ±0.06</p>




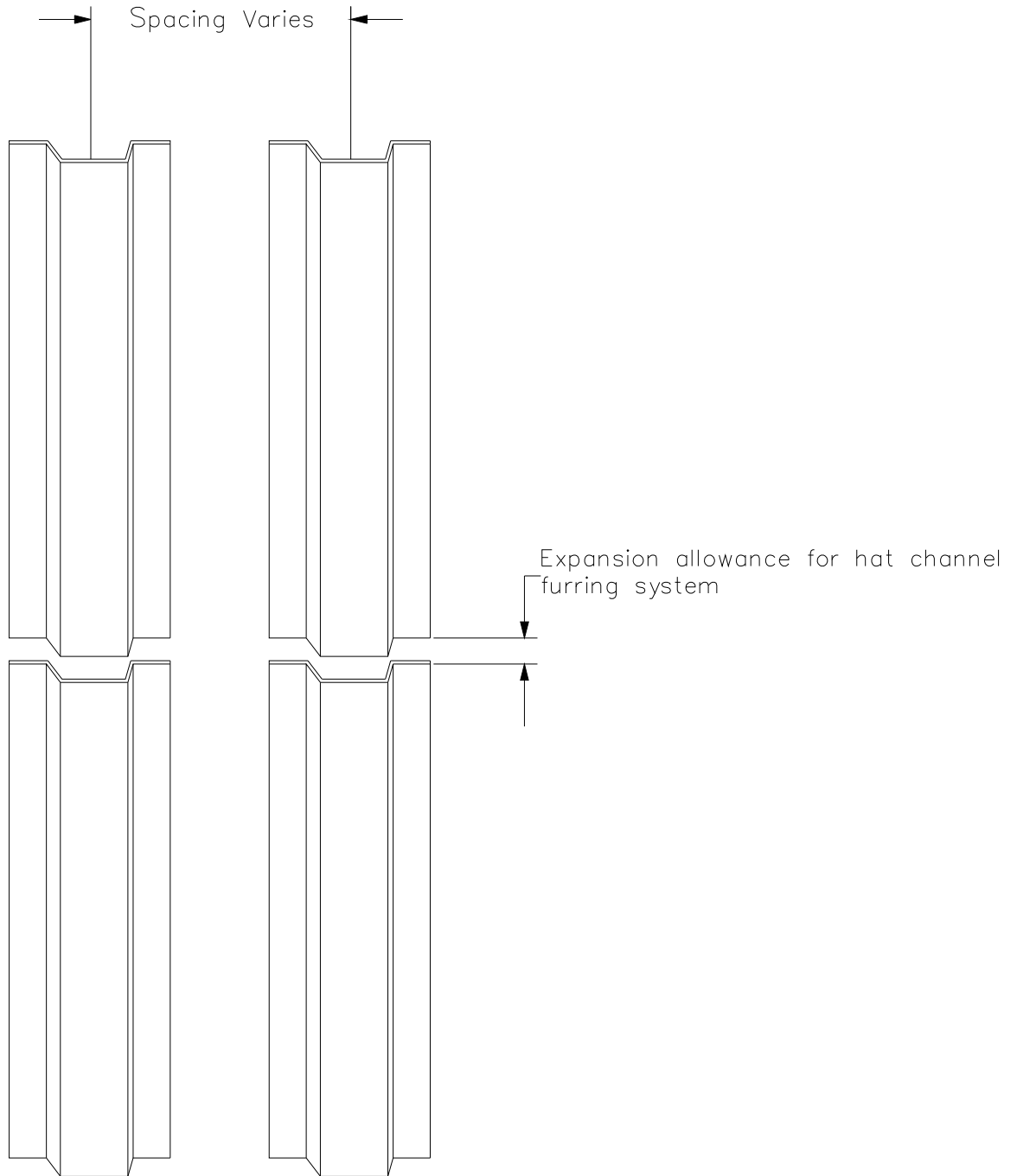
Changing Ideas Into Sustainable Reality.™

611 Highway 74 South | Suite 900
Peachtree City, GA 30269
Phone: 770-486-8825 | 770-631-7889



NOTE:
 Information and details are only a baseline for system and installation. Modification to meet project requirement is the responsibility of the designer, architect and contractor. MetalTech-USA project staff are available to assist throughout the design and build process. © 2011 MetalTech-USA. All rights reserved.

UNLESS OTHERWISE SPECIFIED DIMENSIONS ARE IN INCHES	DRAWING NAME: REVEAL OPTIONS (ISOMETRIC)		REVISION NO: A	DATED CREATED: 12/18/2015
 Changing Ideas Into Sustainable Reality.™ 611 Highway 74 South Suite 900 Peachtree City, GA 30269 Phone: 770-486-8825 770-631-7689	DWG NO: MT_STRPH_1007		CHECKED BY: THENDERSON	APPROVED BY: ESIMONSEN
	PROJECT NAME: GENERAL DETAILS			
SCALE: NTS	SHEET NO: 7 OF 9	SIZE: A	TOLERANCES: ANGULAR ±1° LINEAR ±0.06	



NOTE: Spacing based on material and hat channel lengths. Depending on continuous gross square footage of wall panel, consideration for expansion and contraction should also be given for attached panels, substrate, and single skin.

NOTE: Information and details are only a baseline for system and installation. Modification to meet project requirement is the responsibility of the designer, architect and contractor. MetalTech-USA project staff are available to assist throughout the design and build process. © 2011 MetalTech-USA. All rights reserved.

UNLESS OTHERWISE SPECIFIED
DIMENSIONS ARE IN INCHES

DRAWING NAME:
HAT CHANNEL SPACING

REVISION NO:
A

DATED CREATED:
12/18/2015



611 Highway 74 South | Suite 900
Peachtree City, GA 30269
Phone: 770-486-8825 | 770-631-7689

DWG NO:
MT_STRPH_1008

CHECKED BY:
THENDERSON

APPROVED BY:
ESIMONSEN

PROJECT NAME:
GENERAL DETAILS

SCALE:
NTS

SHEET NO:
8 OF 9

SIZE:
A

TOLERANCES:
ANGULAR $\pm 1^\circ$ LINEAR ± 0.06




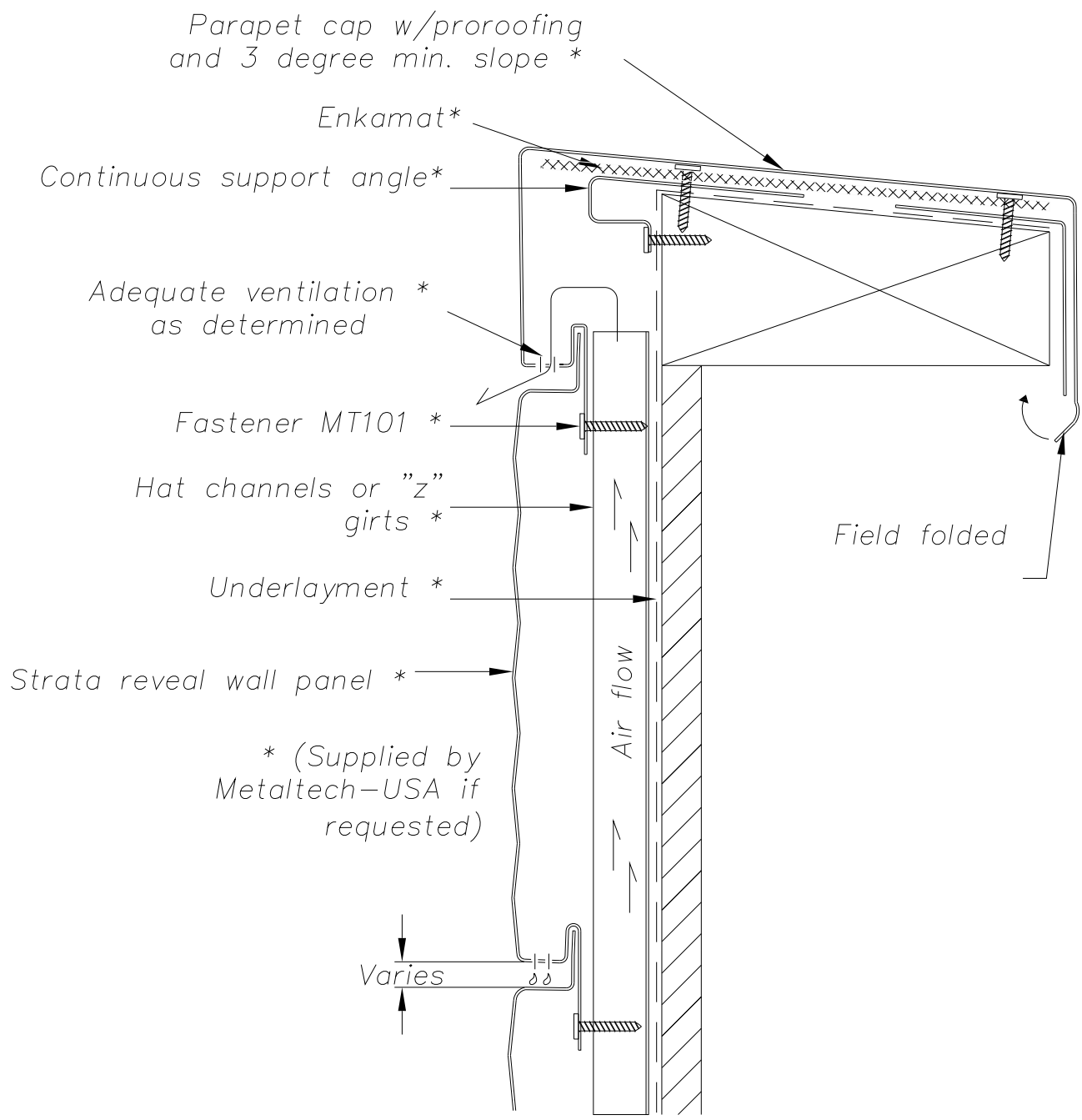
MT101
Wood Applications




MT101SX3
Sheet Metal Applications

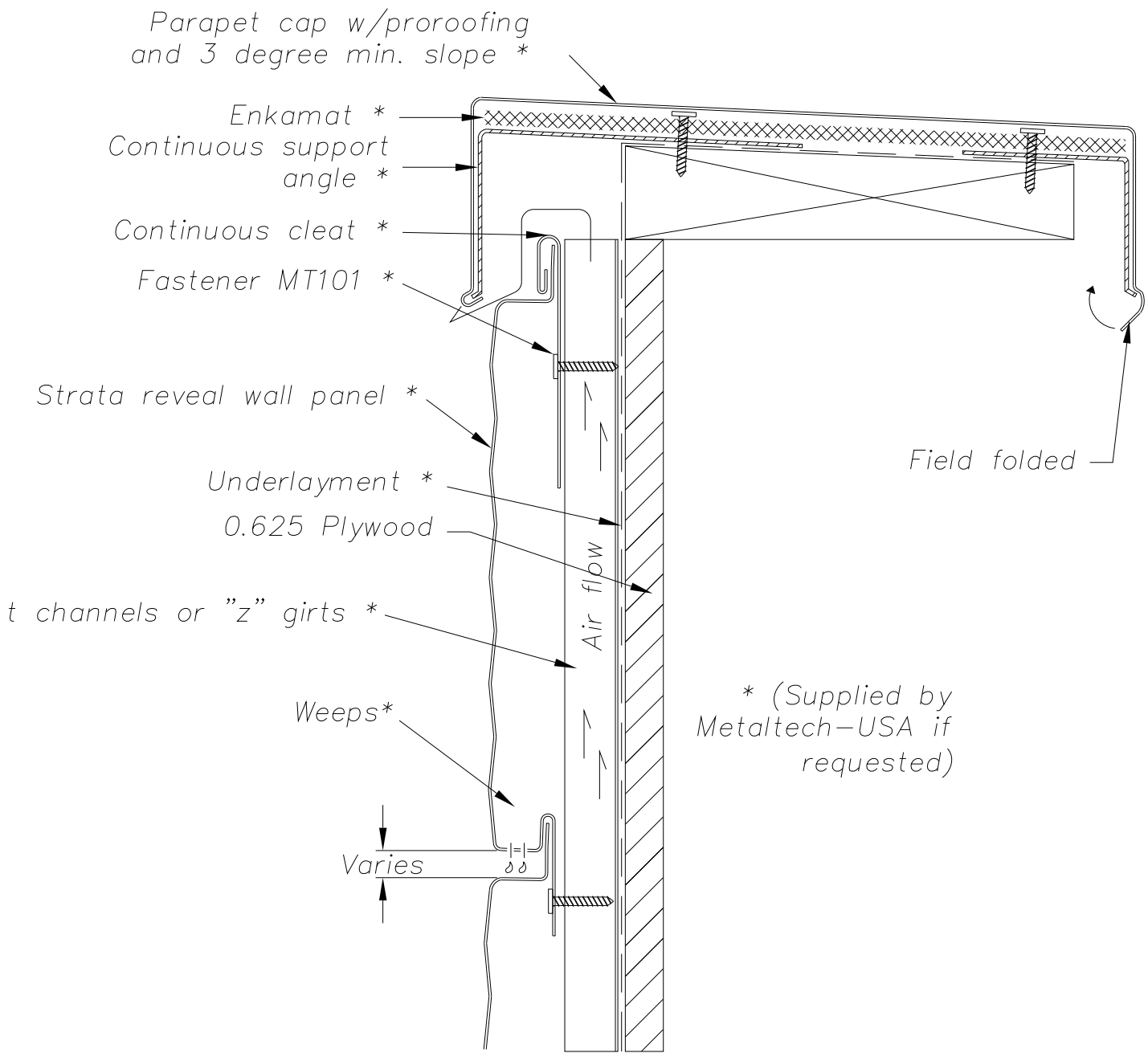
NOTE:
Information and details are only a baseline for system and installation. Modification to meet project requirement is the responsibility of the designer, architect and contractor. MetalTech-USA project staff are available to assist throughout the design and build process. © 2011 MetalTech-USA. All rights reserved.

UNLESS OTHERWISE SPECIFIED DIMENSIONS ARE IN INCHES	DRAWING NAME: FASTENERS	REVISION NO: A	DATED CREATED: 12/18/2015
 MetalTech-USA Changing Ideas Into Sustainable Reality.™ 611 Highway 74 South Suite 900 Peachtree City, GA 30269 Phone: 770-486-8825 770-631-7689	DWG NO: MT_STRPH_1009	CHECKED BY: THENDERSON	APPROVED BY: ESIMONSEN
	PROJECT NAME: GENERAL DETAILS		
	SCALE: NTS	SHEET NO: 9 OF 9	SIZE: A TOLERANCES: ANGULAR ±1° LINEAR ±0.06




NOTE:
 Information and details are only a baseline for system and installation. Modification to meet project requirement is the responsibility of the designer, architect and contractor. MetalTech-USA project staff are available to assist throughout the design and build process. © 2011 MetalTech-USA. All rights reserved.

UNLESS OTHERWISE SPECIFIED DIMENSIONS ARE IN INCHES	DRAWING NAME: PARAPET DETAIL – OPTION 1	REVISION NO: A	DATED CREATED: 12/18/2015
 Changing Ideas Into Sustainable Reality.™ 611 Highway 74 South Suite 900 Peachtree City, GA 30269 Phone: 770-486-8825 770-631-7689	DWG NO: MT_STRPH_1101	CHECKED BY: THENDERSON	APPROVED BY: ESIMONSEN
	PROJECT NAME: TOP OF WALL DETAILS		
SCALE: NTS	SHEET NO: 1 OF 5	SIZE: A	TOLERANCES: ANGULAR ±1° LINEAR ±0.06



NOTE: Information and details are only a baseline for system and installation. Modification to meet project requirement is the responsibility of the designer, architect and contractor. MetalTech-USA project staff are available to assist throughout the design and build process. © 2011 MetalTech-USA. All rights reserved.

<p>UNLESS OTHERWISE SPECIFIED DIMENSIONS ARE IN INCHES</p>  <p>Changing Ideas Into Sustainable Reality.™</p> <p>611 Highway 74 South Suite 900 Peachtree City, GA 30269 Phone: 770-486-8825 770-631-7689</p>	<p>DRAWING NAME: PARAPET DETAIL – OPTION 2</p>		<p>REVISION NO: A</p>	<p>DATED CREATED: 12/18/2015</p>
	<p>DWG NO: MT_STRPH_1102</p>		<p>CHECKED BY: THENDERSON</p>	<p>APPROVED BY: ESIMONSEN</p>
<p>PROJECT NAME: TOP OF WALL DETAILS</p>				
<p>SCALE: NTS</p>	<p>SHEET NO: 2 OF 5</p>	<p>SIZE: A</p>	<p>TOLERANCES: ANGULAR ±1° LINEAR ±0.06</p>	

Parapet cap w/proroofting
and 3 degree min. slope *

Enkamat *

Continuous support angle *

Perforated bug screen
to allow for ventilation *

Fastener MT101 *

Strata reveal
wall panel *

Hat channels or "z" girts *

Underlayment *

0.625 Plywood

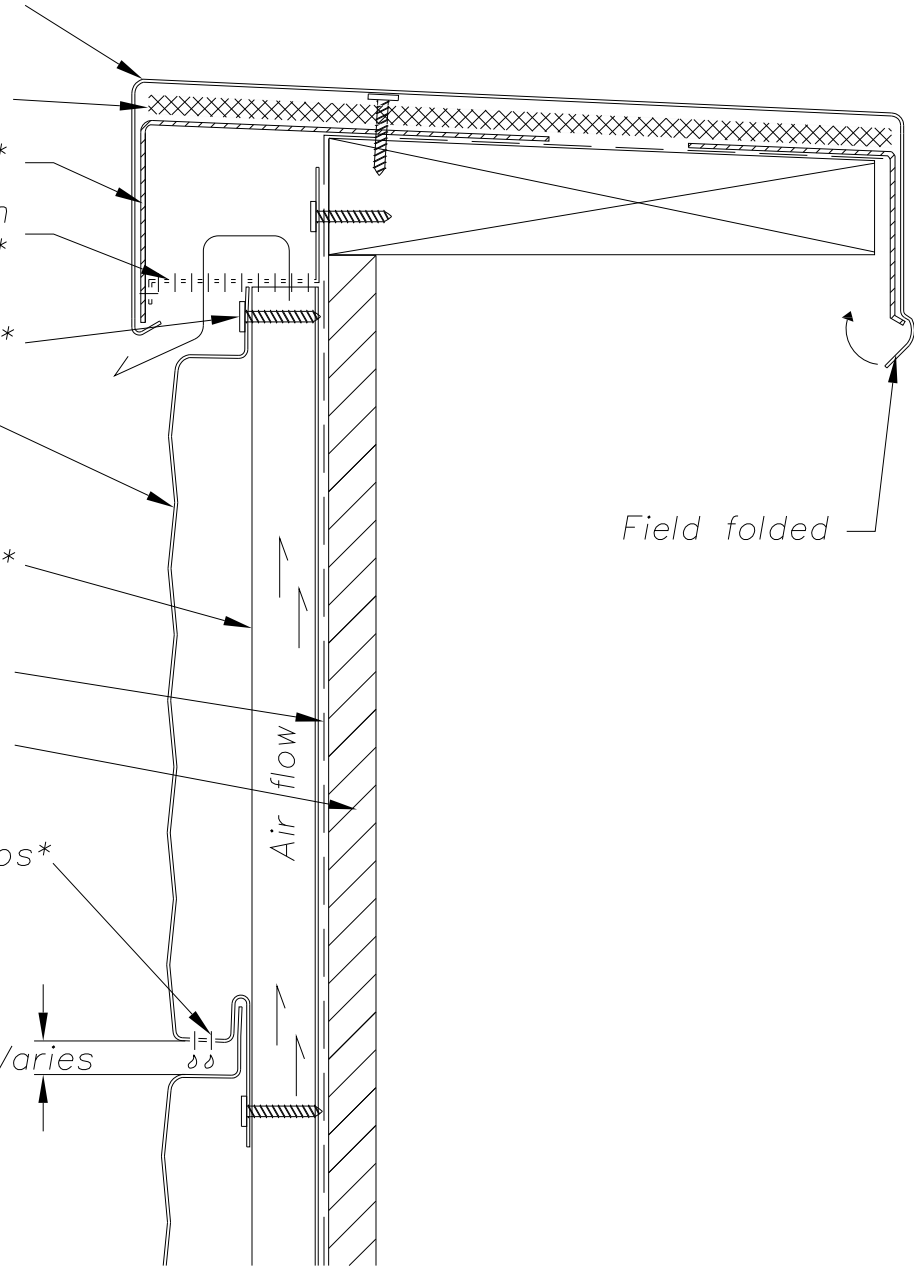
Weeps*

* (Supplied by
Metaltech-USA if
requested)

Varies

Air flow

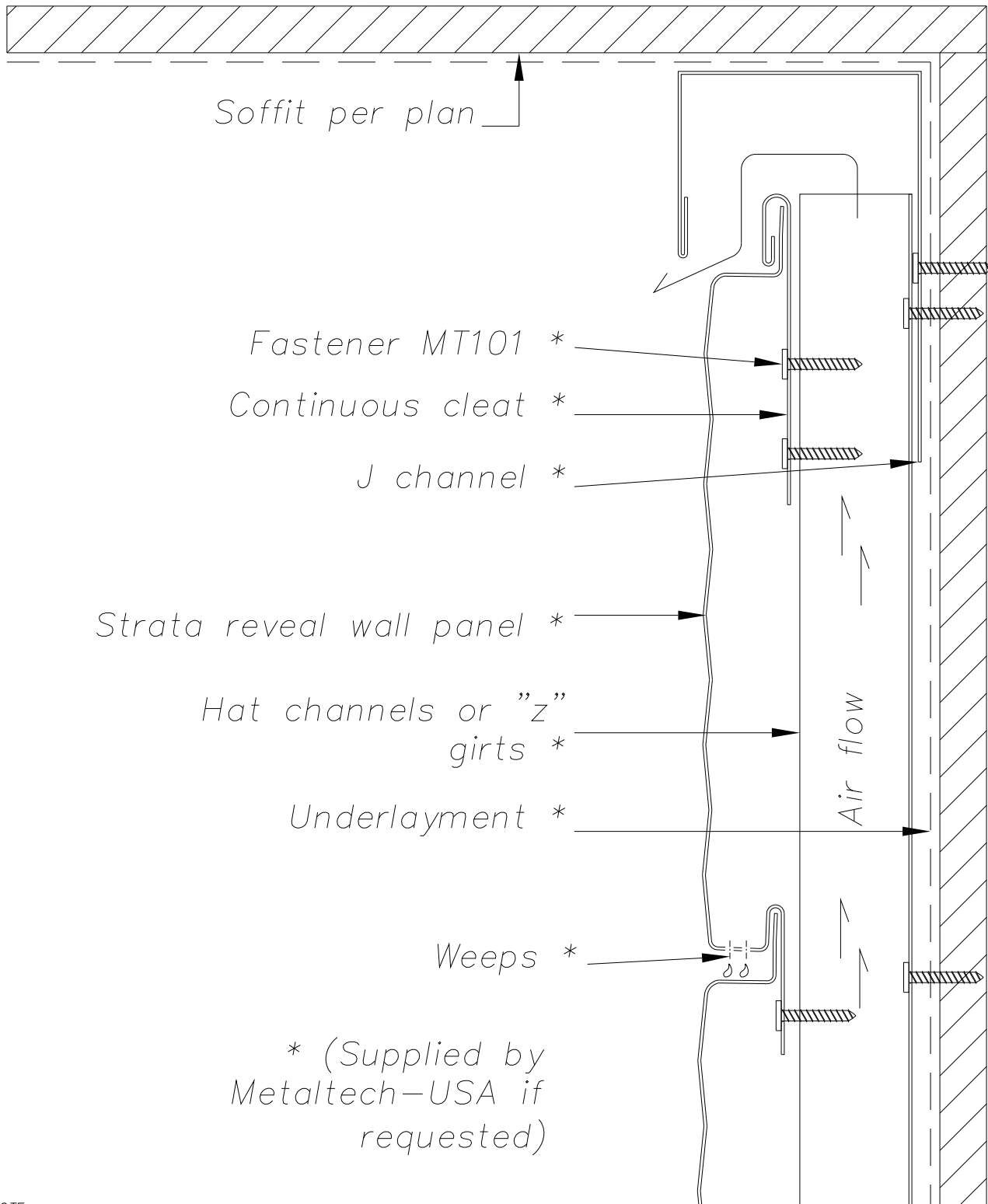
Field folded



NOTE:
Information and details are only a baseline for system and installation. Modification to meet project requirement is the responsibility of the designer, architect and contractor. MetalTech-USA project staff are available to assist throughout the design and build process. © 2011 MetalTech-USA. All rights reserved.


<p>UNLESS OTHERWISE SPECIFIED DIMENSIONS ARE IN INCHES</p>	<p>DRAWING NAME: PARAPET DETAIL - OPTION 3</p>		<p>REVISION NO: A</p>	<p>DATED CREATED: 12/18/2015</p>
	<p>DWG NO: MT_STRPH_1103</p>		<p>CHECKED BY: THENDERSON</p>	<p>APPROVED BY: ESIMONSEN</p>
<p>PROJECT NAME: TOP OF WALL DETAILS</p>				
<p>SCALE: NTS</p>	<p>SHEET NO: 3 OF 5</p>	<p>SIZE: A</p>	<p>TOLERANCES: ANGULAR ±1° LINEAR ±0.06</p>	

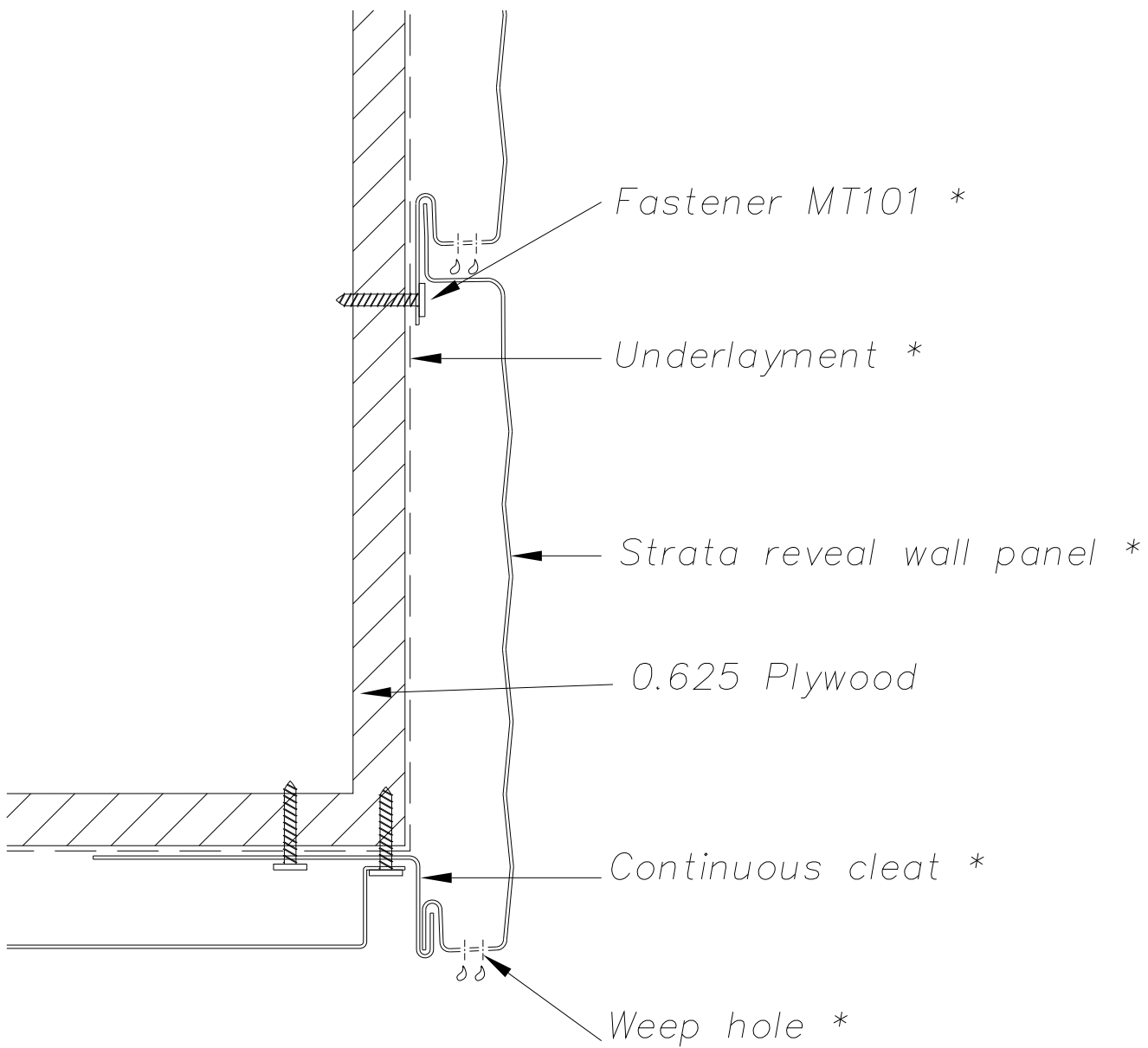
611 Highway 74 South | Suite 900
Peachtree City, GA 30269
Phone: 770-486-8825 | 770-631-7689



* (Supplied by Metaltech-USA if requested)


NOTE:
Information and details are only a baseline for system and installation. Modification to meet project requirement is the responsibility of the designer, architect and contractor. MetalTech-USA project staff are available to assist throughout the design and build process. © 2011 MetalTech-USA. All rights reserved.

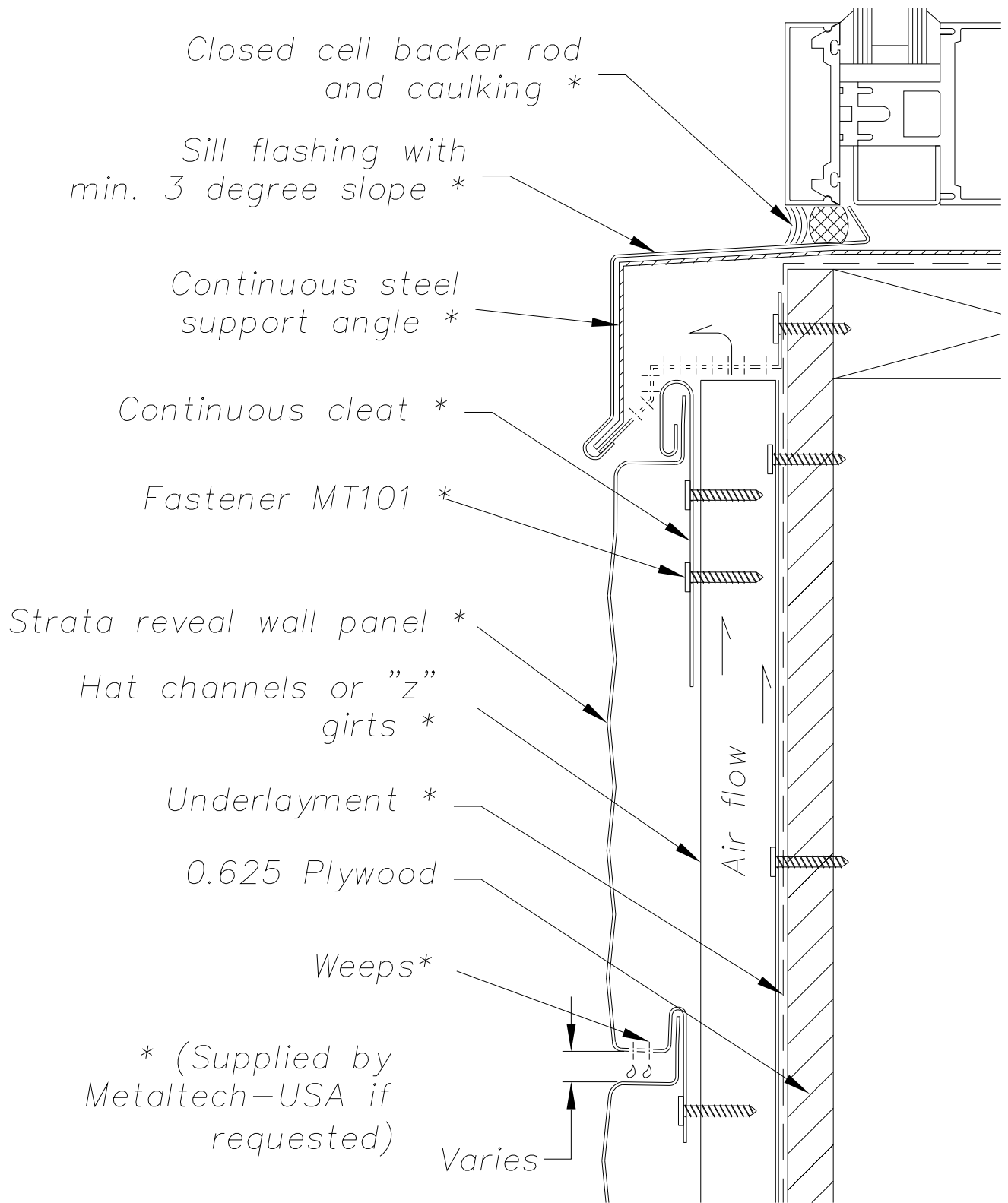
<p>UNLESS OTHERWISE SPECIFIED DIMENSIONS ARE IN INCHES</p>  <p>Changing Ideas Into Sustainable Reality.™</p> <p>611 Highway 74 South Suite 900 Peachtree City, GA 30269 Phone: 770-486-8825 770-631-7689</p>	<p>DRAWING NAME: WALL TO SOFFIT TRANSITION</p>		<p>REVISION NO: A</p>	<p>DATED CREATED: 12/18/2015</p>
	<p>DWG NO: MT_STRPH_1104</p>		<p>CHECKED BY: THENDERSON</p>	<p>APPROVED BY: ESIMONSEN</p>
<p>PROJECT NAME: TOP OF WALL DETAILS</p>				
<p>SCALE: NTS</p>	<p>SHEET NO: 4 OF 5</p>	<p>SIZE: A</p>	<p>TOLERANCES: ANGULAR ±1° LINEAR ±0.06</p>	



* (Supplied by
Metaltech-USA if
requested)

NOTE:
Information and details are only a baseline for system and installation. Modification to meet project requirement is the responsibility of the designer, architect and contractor. MetalTech-USA project staff are available to assist throughout the design and build process. © 2011 MetalTech-USA. All rights reserved.

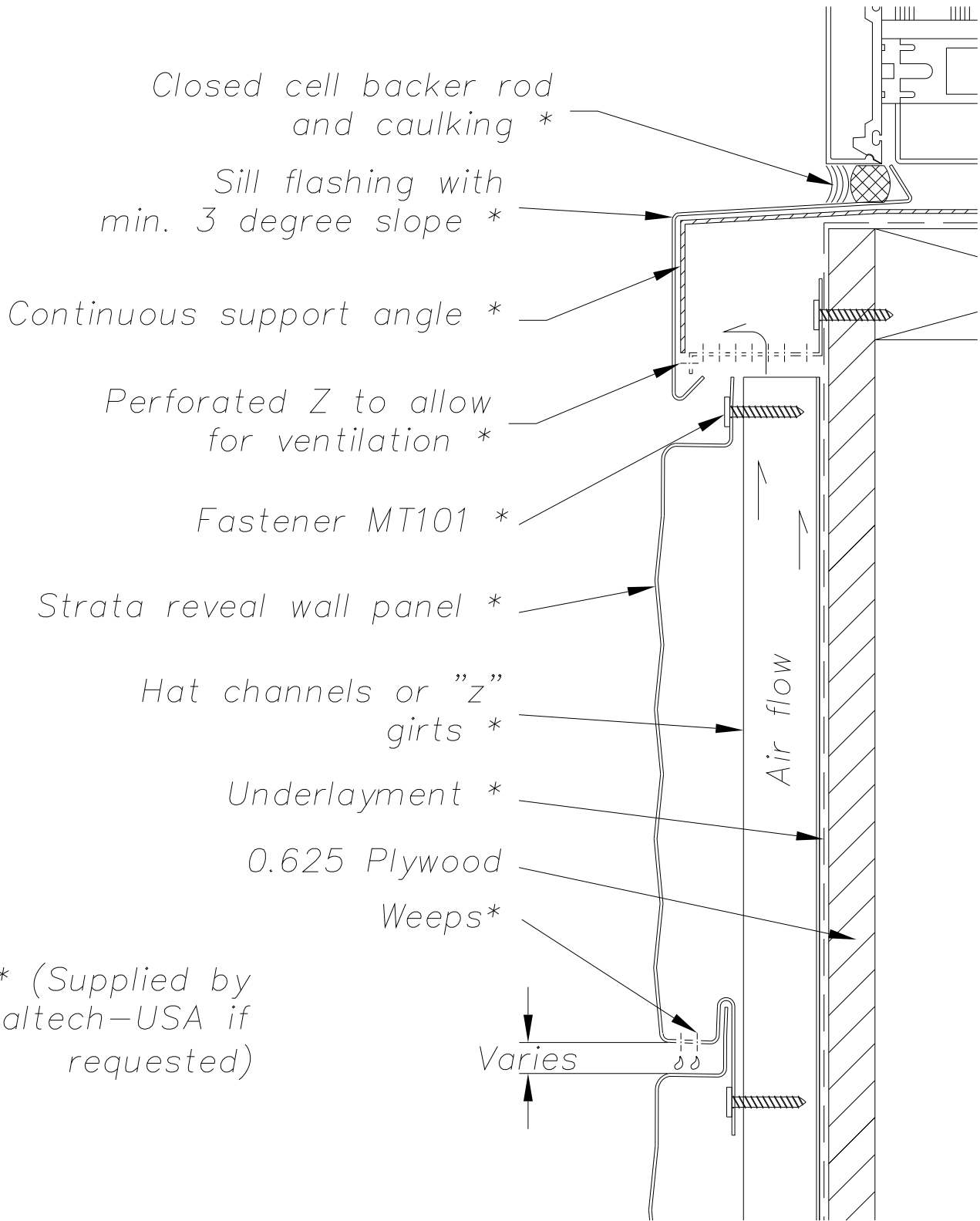
UNLESS OTHERWISE SPECIFIED DIMENSIONS ARE IN INCHES	DRAWING NAME: SOFFIT TO FASCIA TRANSITION		REVISION NO: A	DATED CREATED: 12/18/2015	
	DWG NO: MT_STRPH_1105		CHECKED BY: THENDERSON	APPROVED BY: ESIMONSEN	
 MetalTech-USA Changing Ideas Into Sustainable Reality.™ 611 Highway 74 South Suite 900 Peachtree City, GA 30269 Phone: 770-486-8825 770-631-7689	PROJECT NAME: TOP OF WALL DETAILS				
	SCALE: NTS	SHEET NO: 5 OF 5	SIZE: A	TOLERANCES: ANGULAR ±1° LINEAR ±0.06	



NOTE:
 Information and details are only a baseline for system and installation. Modification to meet project requirement is the responsibility of the designer, architect and contractor. MetalTech-USA project staff are available to assist throughout the design and build process. © 2011 MetalTech-USA. All rights reserved.


UNLESS OTHERWISE SPECIFIED DIMENSIONS ARE IN INCHES	DRAWING NAME: SILL DETAIL - OPTION 1		REVISION NO: A	DATED CREATED: 12/18/2015
	DWG NO: MT_STRPH_1201		CHECKED BY: THENDERSON	APPROVED BY: ESIMONSEN
PROJECT NAME: WINDOW DETAILS				
SCALE: NTS		SHEET NO: 1 OF 10	SIZE: A	TOLERANCES: ANGULAR ±1° LINEAR ±0.06

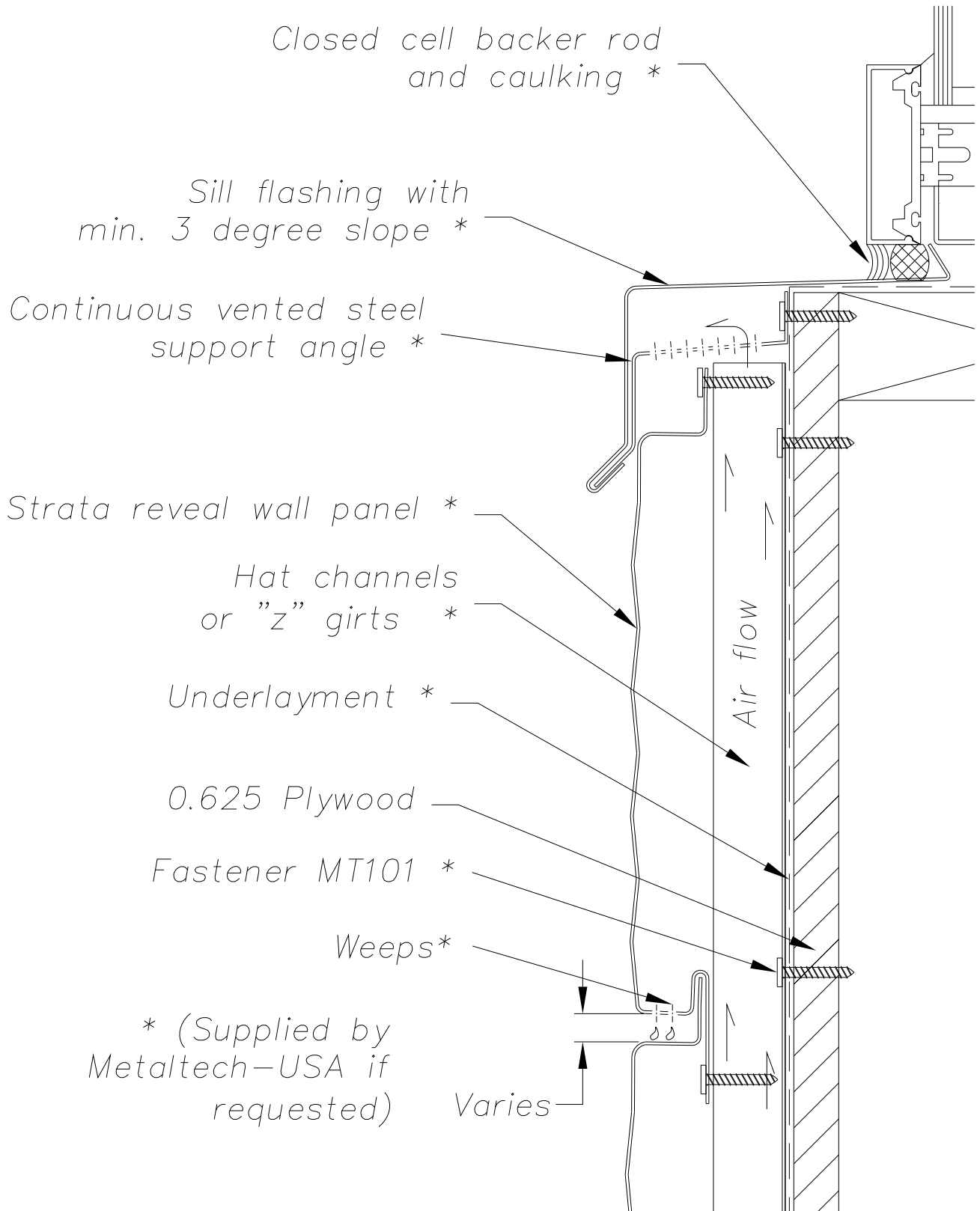
MetalTech-USA
 Changing Ideas Into Sustainable Reality.™
 611 Highway 74 South | Suite 900
 Peachtree City, GA 30269
 Phone: 770-486-8825 | 770-631-7689




* (Supplied by Metaltech-USA if requested)

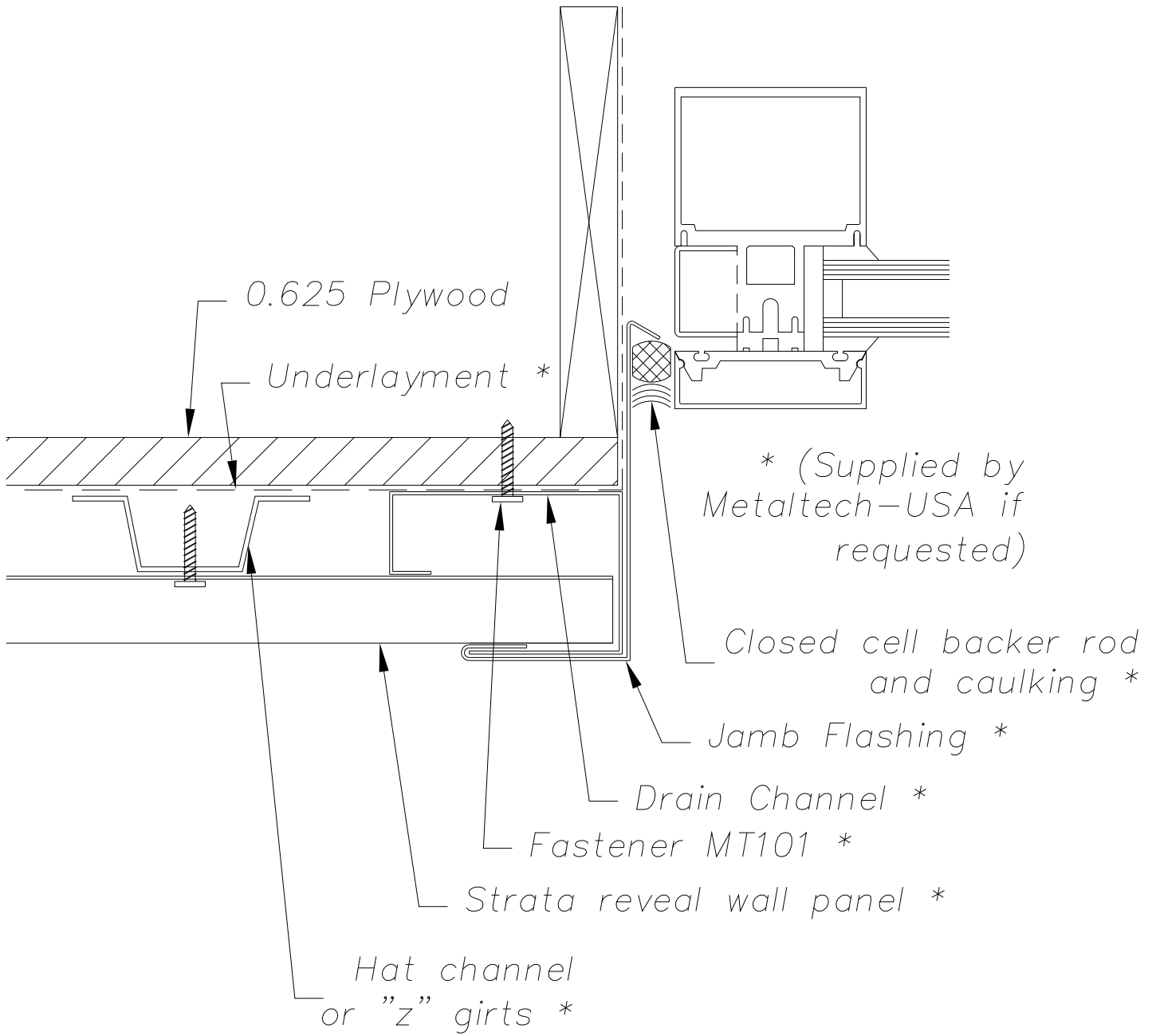
NOTE: Information and details are only a baseline for system and installation. Modification to meet project requirement is the responsibility of the designer, architect and contractor. MetalTech-USA project staff are available to assist throughout the design and build process. © 2011 MetalTech-USA. All rights reserved.

UNLESS OTHERWISE SPECIFIED DIMENSIONS ARE IN INCHES	DRAWING NAME: SILL DETAIL - OPTION 2	REVISION NO: A	DATED CREATED: 12/18/2015
 Changing Ideas Into Sustainable Reality.™ 611 Highway 74 South Suite 900 Peachtree City, GA 30269 Phone: 770-486-8825 770-631-7689	DWG NO: MT_STRPH_1202	CHECKED BY: THENDERSON	APPROVED BY: ESIMONSEN
	PROJECT NAME: WINDOW DETAILS		
SCALE: NTS	SHEET NO: 2 OF 10	SIZE: A	TOLERANCES: ANGULAR ±1° LINEAR ±0.06



NOTE:
 Information and details are only a baseline for system and installation. Modification to meet project requirement is the responsibility of the designer, architect and contractor. MetalTech-USA project staff are available to assist throughout the design and build process. © 2011 MetalTech-USA. All rights reserved.

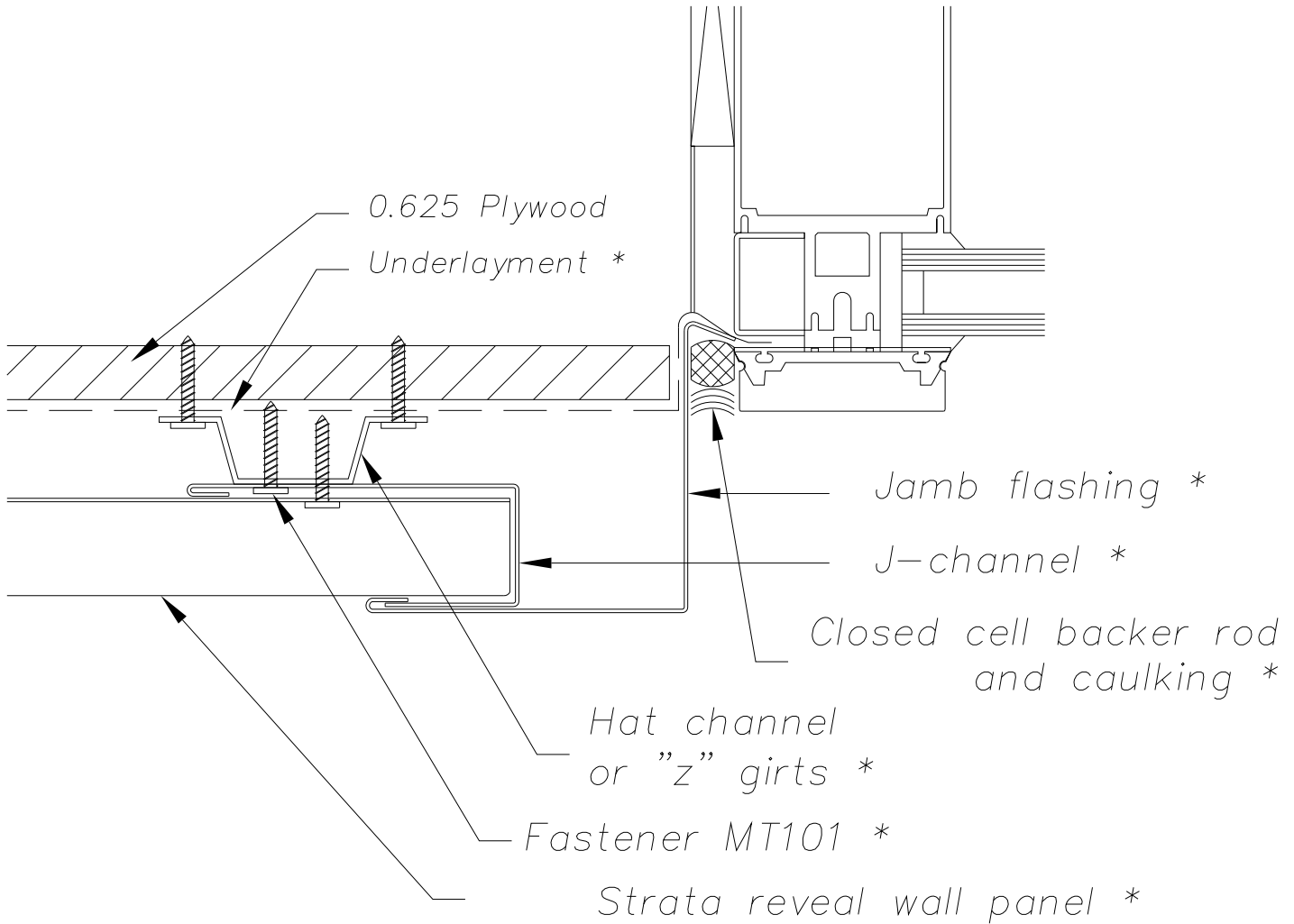
<p>UNLESS OTHERWISE SPECIFIED DIMENSIONS ARE IN INCHES</p>  <p>Changing Ideas Into Sustainable Reality.™</p> <p>611 Highway 74 South Suite 900 Peachtree City, GA 30269 Phone: 770-486-8825 770-631-7689</p>	<p>DRAWING NAME: SILL DETAIL - OPTION 3</p>		<p>REVISION NO: A</p>	<p>DATED CREATED: 12/18/2015</p>
	<p>DWG NO: MT_STRPH_1203</p>		<p>CHECKED BY: THENDERSON</p>	<p>APPROVED BY: ESIMONSEN</p>
<p>PROJECT NAME: WINDOW DETAILS</p>				
<p>SCALE: NTS</p>	<p>SHEET NO: 3 OF 10</p>	<p>SIZE: A</p>	<p>TOLERANCES: ANGULAR ±1' LINEAR ±0.06</p>	



NOTE:
 Information and details are only a baseline for system and installation. Modification to meet project requirement is the responsibility of the designer, architect and contractor. MetalTech-USA project staff are available to assist throughout the design and build process. © 2011 MetalTech-USA. All rights reserved.


UNLESS OTHERWISE SPECIFIED DIMENSIONS ARE IN INCHES	DRAWING NAME: JAMB DETAIL - OPTION 1		REVISION NO: A	DATED CREATED: 12/18/2015
	DWG NO: MT_STRPH_1204		CHECKED BY: THENDERSON	APPROVED BY: ESIMONSEN
PROJECT NAME: WINDOW DETAILS				
SCALE: NTS		SHEET NO: 4 OF 10	SIZE: A	TOLERANCES: ANGULAR ±1° LINEAR ±0.06

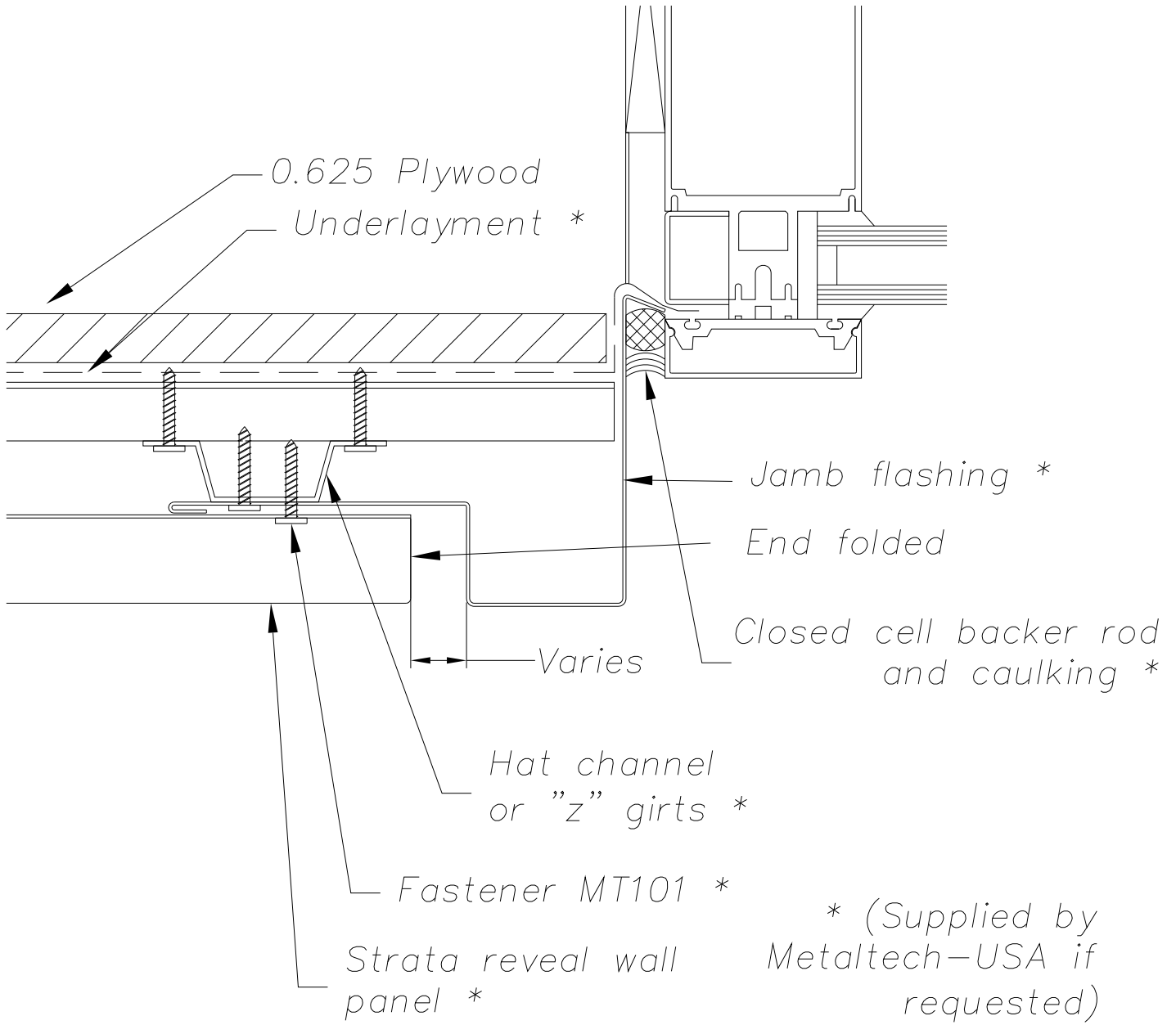
MetalTech-USA
 Changing Ideas Into Sustainable Reality.™
 611 Highway 74 South | Suite 900
 Peachtree City, GA 30269
 Phone: 770-486-8825 | 770-631-7689




* (Supplied by Metaltech-USA if requested)

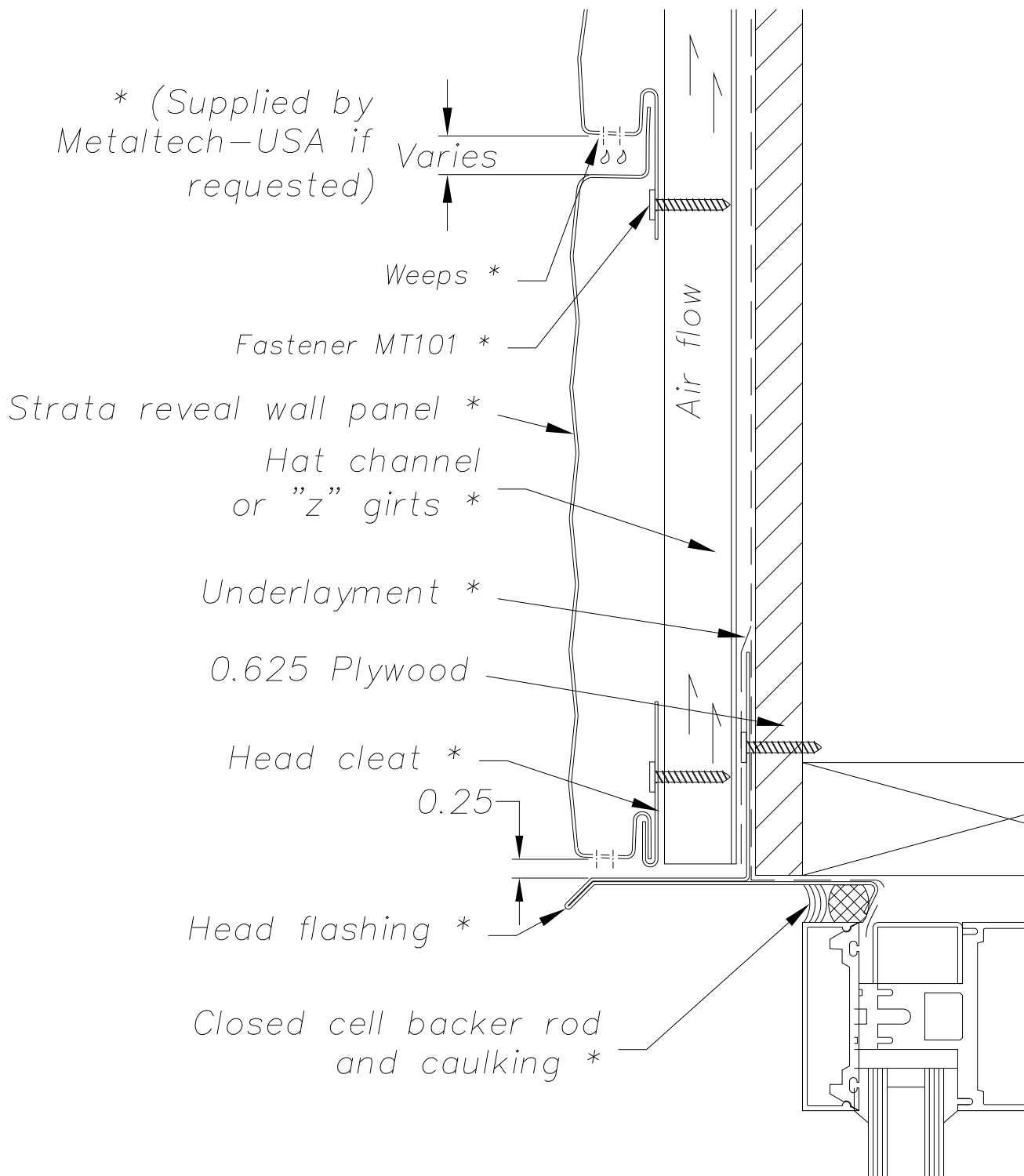
NOTE: Information and details are only a baseline for system and installation. Modification to meet project requirement is the responsibility of the designer, architect and contractor. MetalTech-USA project staff are available to assist throughout the design and build process. © 2011 MetalTech-USA. All rights reserved.

<p>UNLESS OTHERWISE SPECIFIED DIMENSIONS ARE IN INCHES</p>  <p>MetalTech-USA Changing Ideas Into Sustainable Reality.™</p> <p>611 Highway 74 South Suite 900 Peachtree City, GA 30269 Phone: 770-486-8825 770-631-7689</p>	<p>DRAWING NAME: JAMB DETAIL - OPTION 2</p>	<p>REVISION NO: A</p>	<p>DATED CREATED: 12/18/2015</p>
	<p>DWG NO: MT_STRPH_1205</p>	<p>CHECKED BY: THENDERSON</p>	<p>APPROVED BY: ESIMONSEN</p>
<p>PROJECT NAME: WINDOW DETAILS</p>			
<p>SCALE: NTS</p>	<p>SHEET NO: 5 OF 10</p>	<p>SIZE: A</p>	<p>TOLERANCES: ANGULAR ±1° LINEAR ±0.06</p>



NOTE:
 Information and details are only a baseline for system and installation. Modification to meet project requirement is the responsibility of the designer, architect and contractor. MetalTech-USA project staff are available to assist throughout the design and build process. © 2011 MetalTech-USA. All rights reserved.

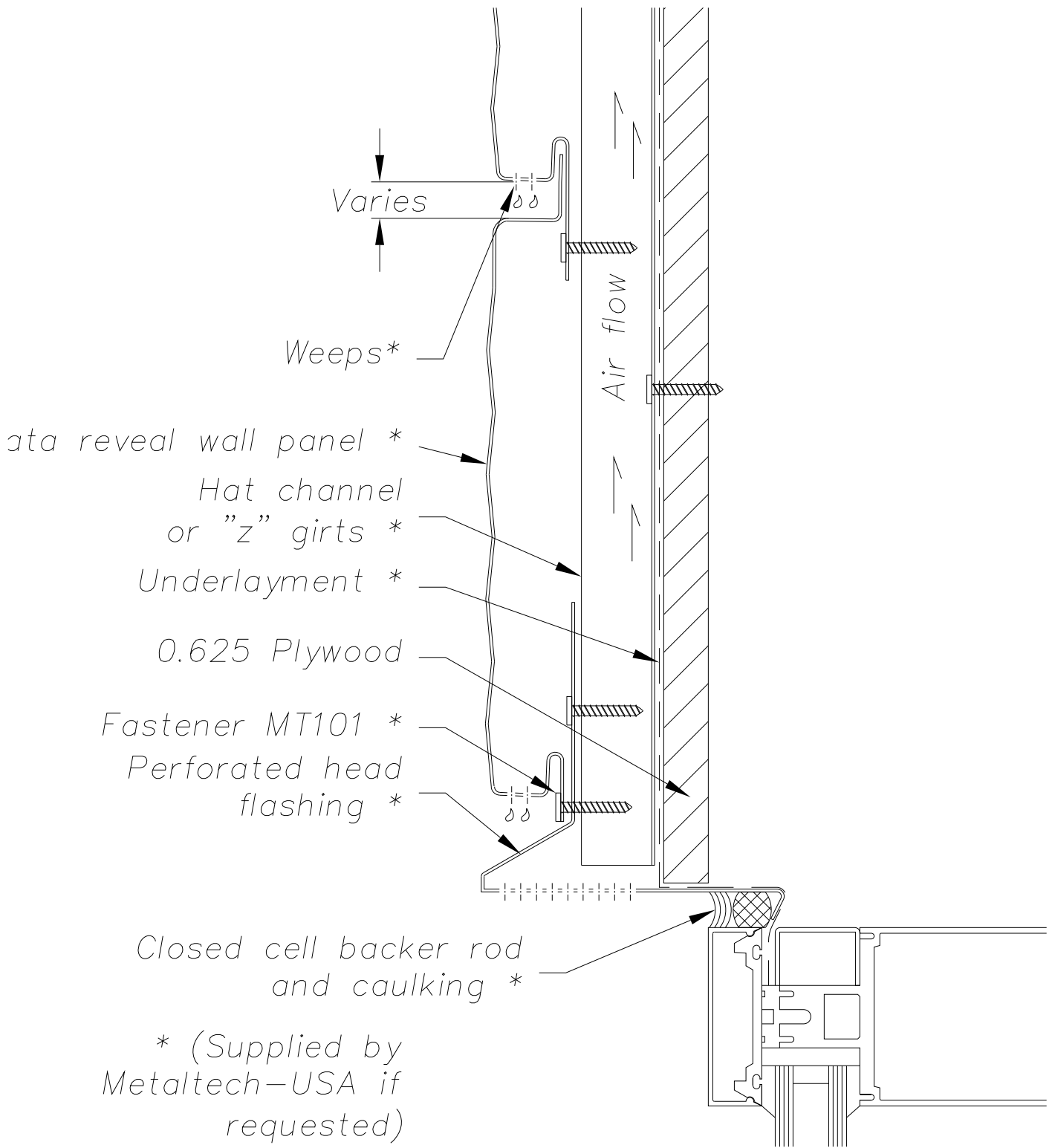
UNLESS OTHERWISE SPECIFIED DIMENSIONS ARE IN INCHES  MetalTech-USA Changing Ideas Into Sustainable Reality.™ 611 Highway 74 South Suite 900 Peachtree City, GA 30269 Phone: 770-486-8825 770-631-7689	DRAWING NAME: JAMB DETAIL - OPTION 3		REVISION NO: A	DATED CREATED: 12/18/2015
	DWG NO: MT_STRPH_1206		CHECKED BY: THENDERSON	APPROVED BY: ESIMONSEN
PROJECT NAME: WINDOW DETAILS				
SCALE: NTS	SHEET NO: 6 OF 10	SIZE: A	TOLERANCES: ANGULAR ±1° LINEAR ±0.06	




NOTE:
 Information and details are only a baseline for system and installation. Modification to meet project requirement is the responsibility of the designer, architect and contractor. MetalTech-USA project staff are available to assist throughout the design and build process. © 2011 MetalTech-USA. All rights reserved.

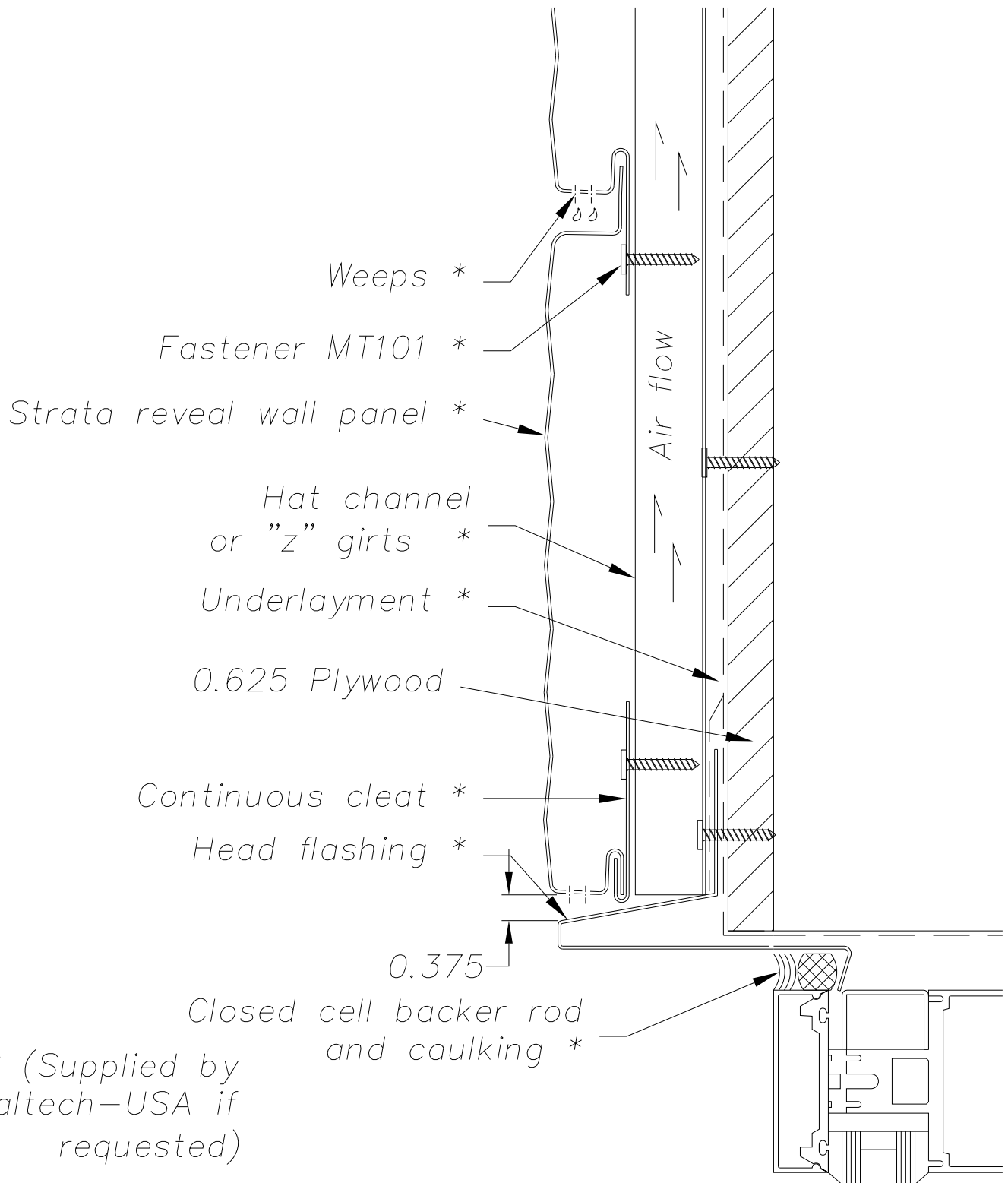
UNLESS OTHERWISE SPECIFIED DIMENSIONS ARE IN INCHES	DRAWING NAME: HEAD DETAIL - OPTION 1		REVISION NO: A	DATED CREATED: 12/18/2015
	DWG NO: MT_STRPH_1207		CHECKED BY: THENDERSON	APPROVED BY: ESIMONSEN
PROJECT NAME: WINDOW DETAILS				
SCALE: NTS		SHEET NO: 7 OF 10	SIZE: A	TOLERANCES: ANGULAR ±1° LINEAR ±0.06

MetalTech-USA
 Changing Ideas Into Sustainable Reality.™
 611 Highway 74 South | Suite 900
 Peachtree City, GA 30269
 Phone: 770-486-8825 | 770-631-7689




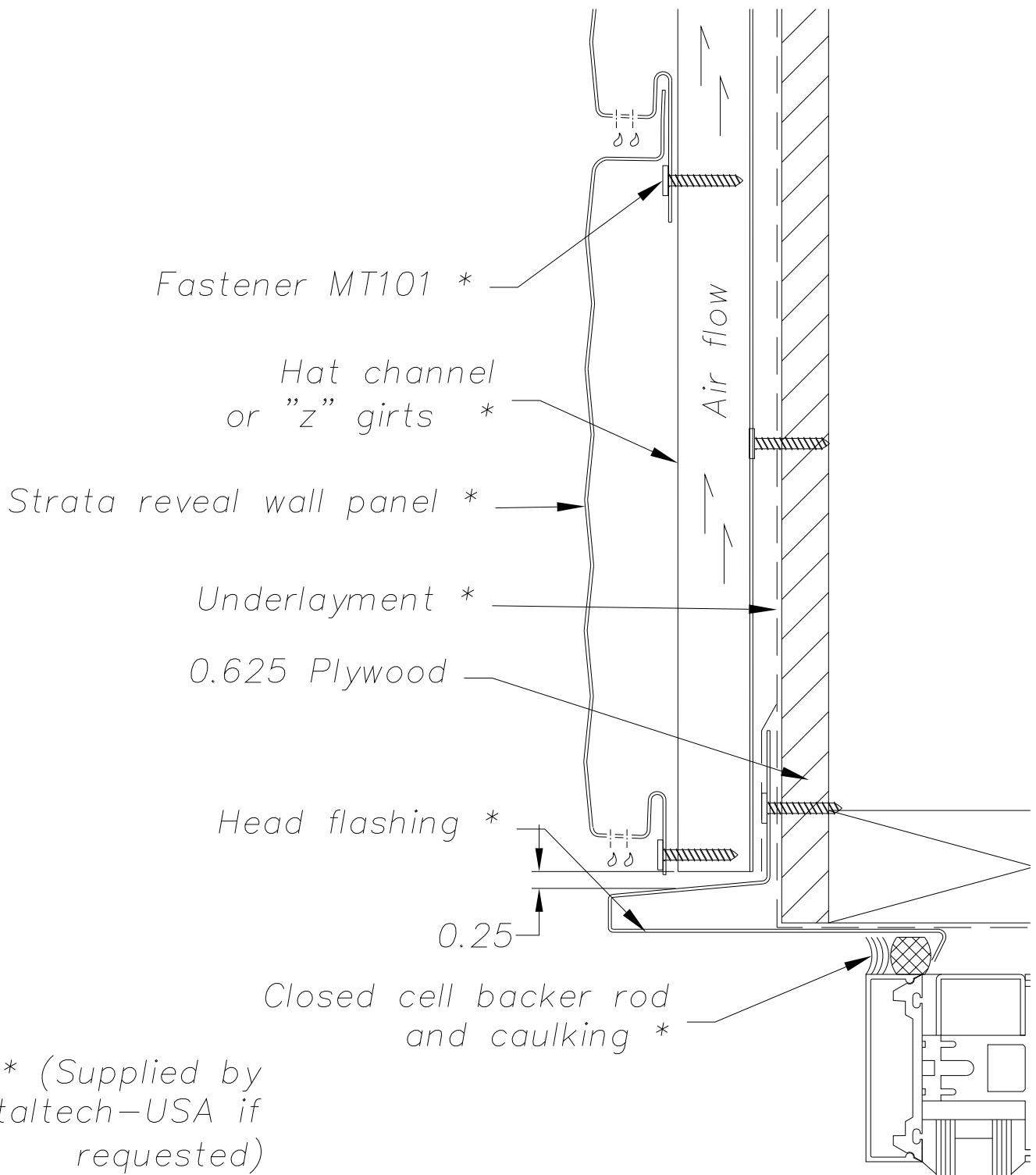
NOTE:
Information and details are only a baseline for system and installation. Modification to meet project requirement is the responsibility of the designer, architect and contractor. MetalTech-USA project staff are available to assist throughout the design and build process. © 2011 MetalTech-USA. All rights reserved.

UNLESS OTHERWISE SPECIFIED DIMENSIONS ARE IN INCHES	DRAWING NAME: HEAD DETAIL - OPTION 2	REVISION NO: A	DATED CREATED: 12/18/2015
 MetalTech-USA Changing Ideas Into Sustainable Reality.™	DWG NO: MT_STRPH_1208	CHECKED BY: THENDERSON	APPROVED BY: ESIMONSEN
	PROJECT NAME: WINDOW DETAILS		
611 Highway 74 South Suite 900 Peachtree City, GA 30269 Phone: 770-486-8825 770-631-7889	SCALE: NTS	SHEET NO: 8 OF 10	SIZE: A TOLERANCES: ANGULAR ±1° LINEAR ±0.06




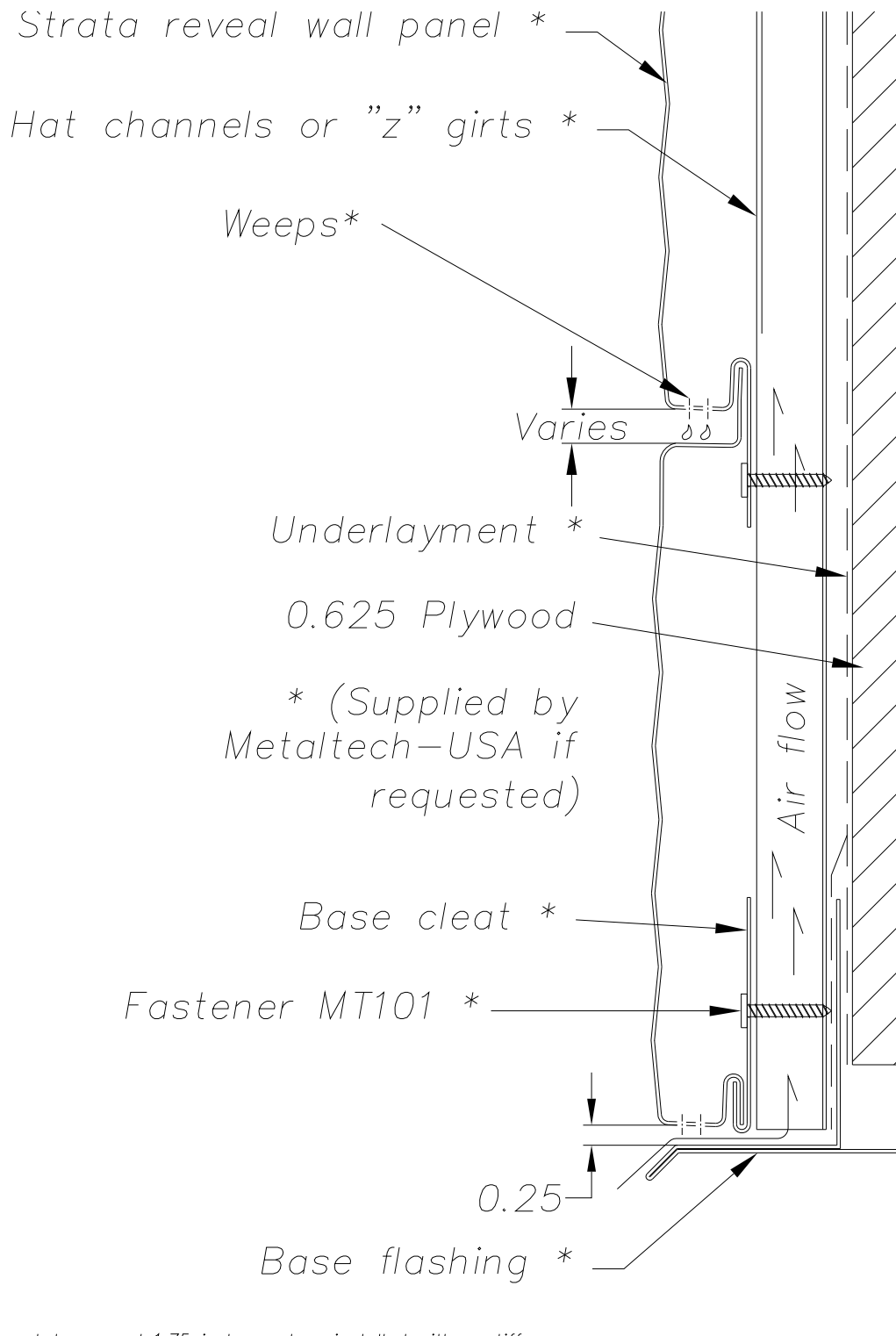
NOTE:
Information and details are only a baseline for system and installation. Modification to meet project requirement is the responsibility of the designer, architect and contractor. MetalTech-USA project staff are available to assist throughout the design and build process. © 2011 MetalTech-USA. All rights reserved.

UNLESS OTHERWISE SPECIFIED DIMENSIONS ARE IN INCHES	DRAWING NAME: HEAD DETAIL - OPTION 3	REVISION NO: A	DATED CREATED: 12/18/2015
 Changing Ideas Into Sustainable Reality.™ 611 Highway 74 South Suite 900 Peachtree City, GA 30269 Phone: 770-486-8825 770-631-7689	DWG NO: MT_STRPH_1209	CHECKED BY: THENDERSON	APPROVED BY: ESIMONSEN
	PROJECT NAME: WINDOW DETAILS		
	SCALE: NTS	SHEET NO: 9 OF 10	SIZE: A TOLERANCES: ANGULAR ±1° LINEAR ±0.06




NOTE:
Information and details are only a baseline for system and installation. Modification to meet project requirement is the responsibility of the designer, architect and contractor. MetalTech-USA project staff are available to assist throughout the design and build process. © 2011 MetalTech-USA. All rights reserved.

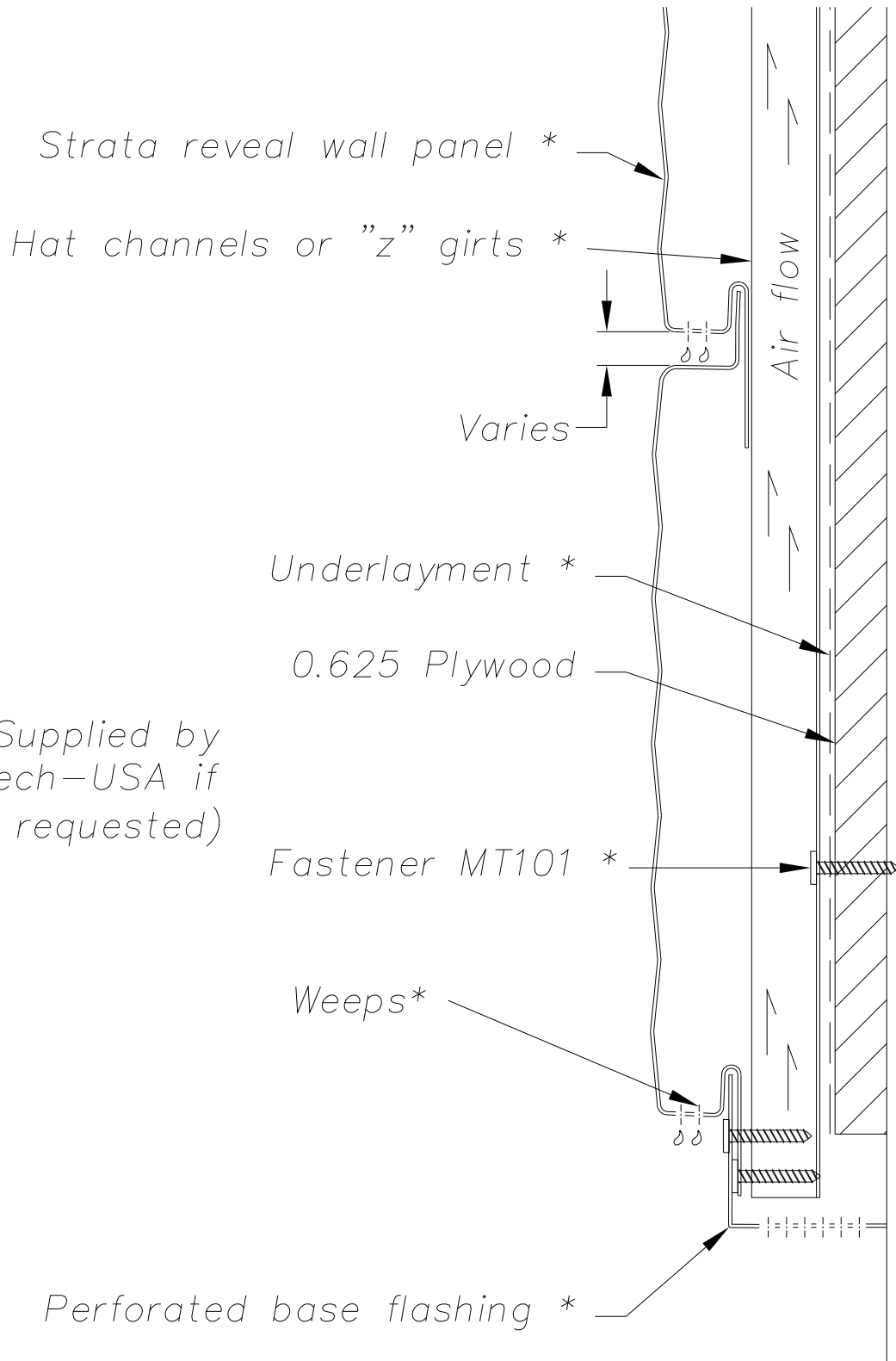
UNLESS OTHERWISE SPECIFIED DIMENSIONS ARE IN INCHES	DRAWING NAME: HEAD DETAIL - OPTION 4	REVISION NO: A	DATED CREATED: 12/18/2015
 MetalTech-USA Changing Ideas Into Sustainable Reality.™ 611 Highway 74 South Suite 900 Peachtree City, GA 30269 Phone: 770-486-8825 770-631-7689	DWG NO: MT_STRPH_1210	CHECKED BY: THENDERSON	APPROVED BY: ESIMONSEN
	PROJECT NAME: WINDOW DETAILS		
SCALE: NTS	SHEET NO: 10 OF 10	SIZE: A	TOLERANCES: ANGULAR ±1° LINEAR ±0.06



NOTE: Base flashing not to exceed 1.75 inches unless installed with a stiffener


NOTE: Information and details are only a baseline for system and installation. Modification to meet project requirement is the responsibility of the designer, architect and contractor. MetalTech-USA project staff are available to assist throughout the design and build process. © 2011 MetalTech-USA. All rights reserved.

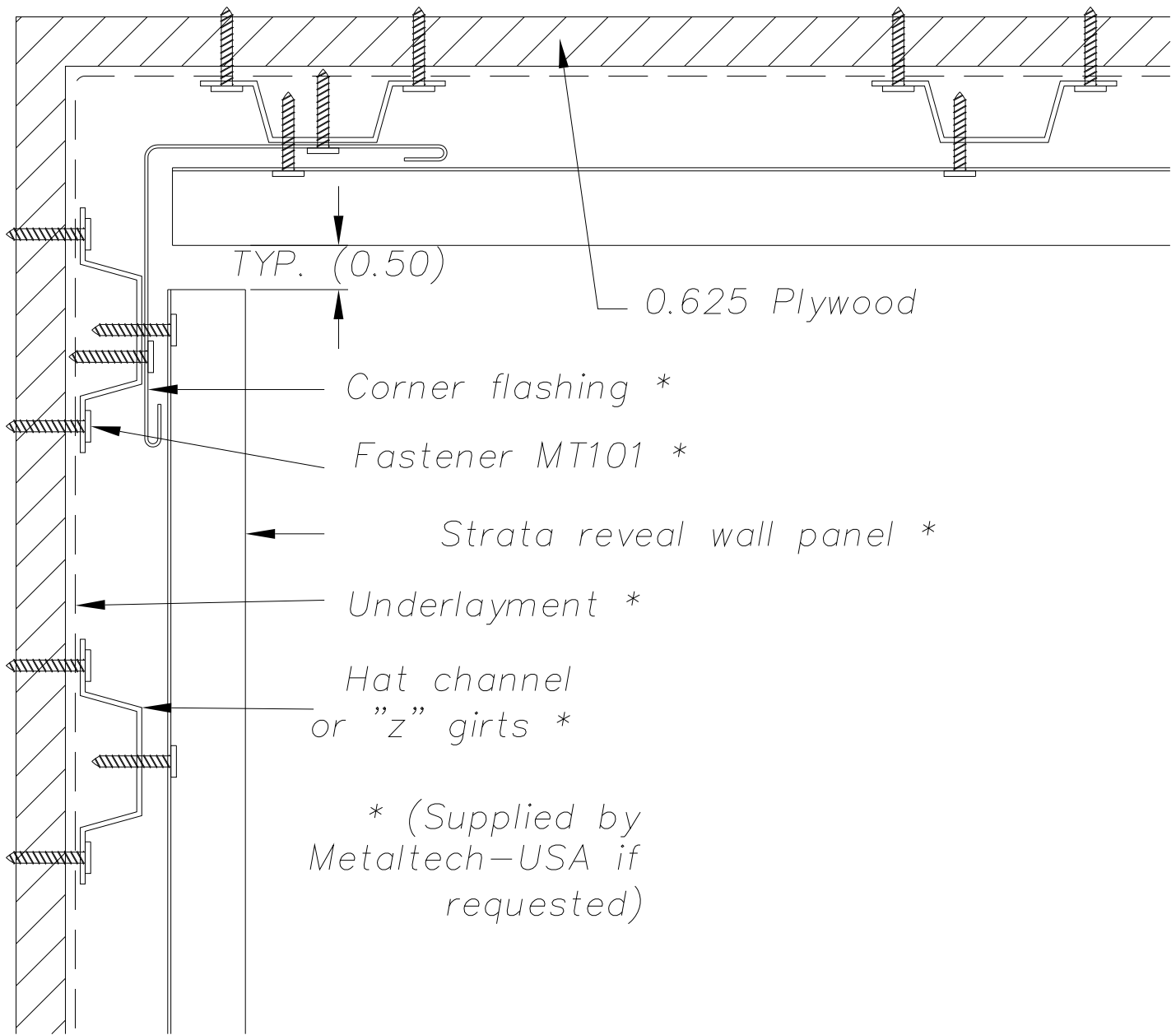
UNLESS OTHERWISE SPECIFIED DIMENSIONS ARE IN INCHES	DRAWING NAME: BASE DETAIL – OPTION 1	REVISION NO: A	DATED CREATED: 12/18/2015
 Changing Ideas Into Sustainable Reality.™ 611 Highway 74 South Suite 900 Peachtree City, GA 30269 Phone: 770-486-8825 770-631-7689	DWG NO: MT_STRPH_1301	CHECKED BY: THENDERSON	APPROVED BY: ESIMONSEN
	PROJECT NAME: BOTTOM OF WALL DETAILS		
	SCALE: NTS	SHEET NO: 1 OF 2	SIZE: A TOLERANCES: ANGULAR ±1° LINEAR ±0.06



* (Supplied by Metaltech-USA if requested)

NOTE: Information and details are only a baseline for system and installation. Modification to meet project requirement is the responsibility of the designer, architect and contractor. MetalTech-USA project staff are available to assist throughout the design and build process. © 2011 MetalTech-USA. All rights reserved.

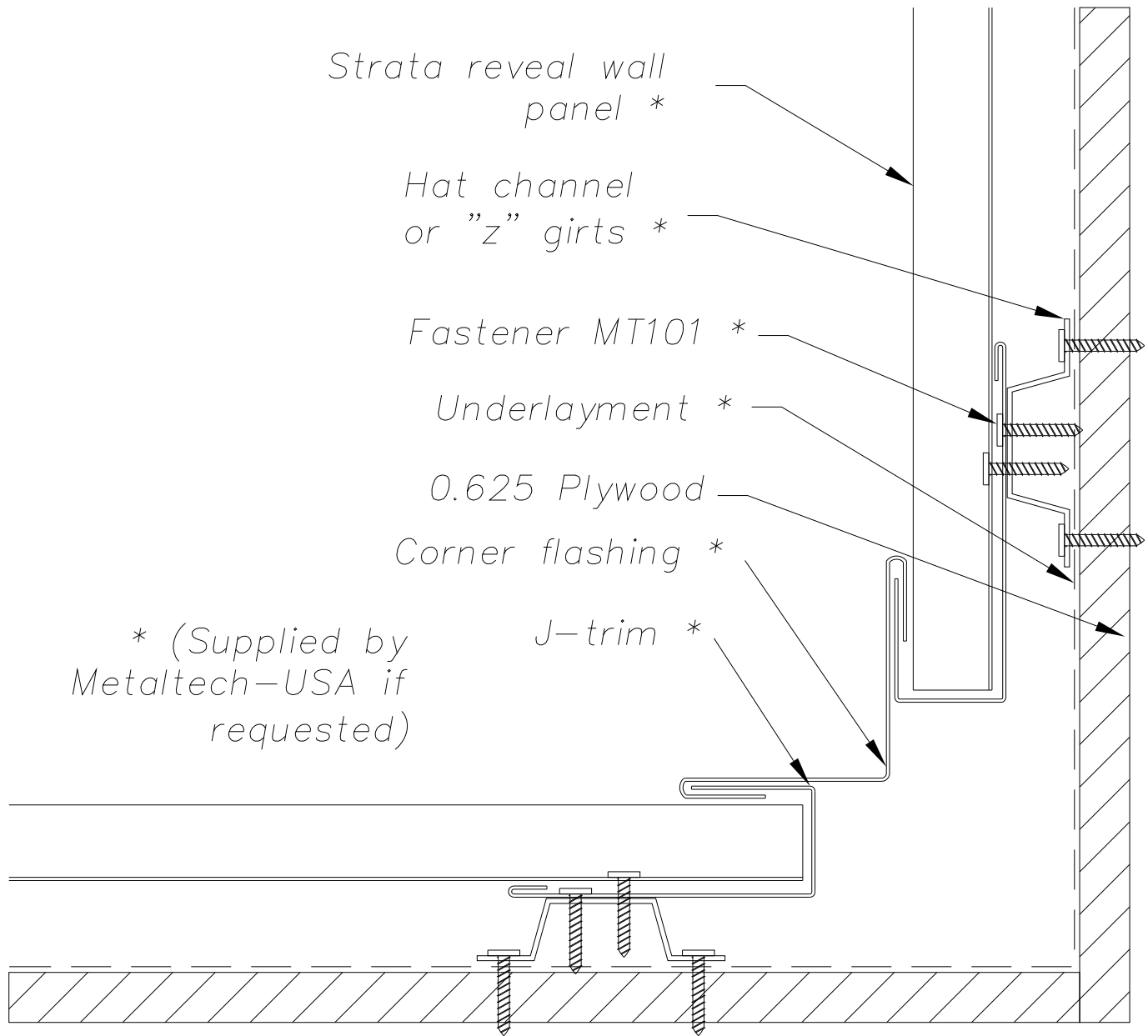
 MetalTech-USA Changing Ideas Into Sustainable Reality.™ 611 Highway 74 South Suite 900 Peachtree City, GA 30269 Phone: 770-486-8825 770-631-7689	DRAWING NAME: BASE DETAIL - OPTION 2		REVISION NO: A	DATED CREATED: 12/18/2015
	DWG NO: MT_STRPH_1302		CHECKED BY: THENDERSON	APPROVED BY: ESIMONSEN
	PROJECT NAME: BOTTOM OF WALL DETAILS			
	SCALE: NTS	SHEET NO: 2 OF 2	SIZE: A	TOLERANCES: ANGULAR ±1° LINEAR ±0.06




NOTE:
 Information and details are only a baseline for system and installation. Modification to meet project requirement is the responsibility of the designer, architect and contractor. MetalTech-USA project staff are available to assist throughout the design and build process. © 2011 MetalTech-USA. All rights reserved.

UNLESS OTHERWISE SPECIFIED DIMENSIONS ARE IN INCHES	DRAWING NAME: INTERIOR CORNER – OPTION 1		REVISION NO: A	DATED CREATED: 12/18/2015
	DWG NO: MT_STRPH_1401		CHECKED BY: THENDERSON	APPROVED BY: ESIMONSEN
PROJECT NAME: INTERIOR DETAILS				
SCALE: NTS		SHEET NO: 1 OF 3	SIZE: A	TOLERANCES: ANGULAR ±1' LINEAR ±0.06

MetalTech-USA
 Changing Ideas Into Sustainable Reality.™
 611 Highway 74 South | Suite 900
 Peachtree City, GA 30269
 Phone: 770-486-8825 | 770-631-7689



NOTE:
 Information and details are only a baseline for system and installation. Modification to meet project requirement is the responsibility of the designer, architect and contractor. MetalTech-USA project staff are available to assist throughout the design and build process. © 2011 MetalTech-USA. All rights reserved.

UNLESS OTHERWISE SPECIFIED DIMENSIONS ARE IN INCHES	DRAWING NAME: INTERIOR CORNER – OPTION 2		REVISION NO: A	DATED CREATED: 12/18/2015
	DWG NO: MT_STRPH_1402		CHECKED BY: THENDERSON	APPROVED BY: ESIMONSEN
 MetalTech-USA Changing Ideas Into Sustainable Reality.™ 611 Highway 74 South Suite 900 Peachtree City, GA 30269 Phone: 770-486-8825 770-631-7689	PROJECT NAME: INTERIOR DETAILS			
	SCALE: NTS	SHEET NO: 2 OF 3	SIZE: A	TOLERANCES: ANGULAR ±1° LINEAR ±0.06

Strata reveal wall panel *

Hat channel or "z" girts *

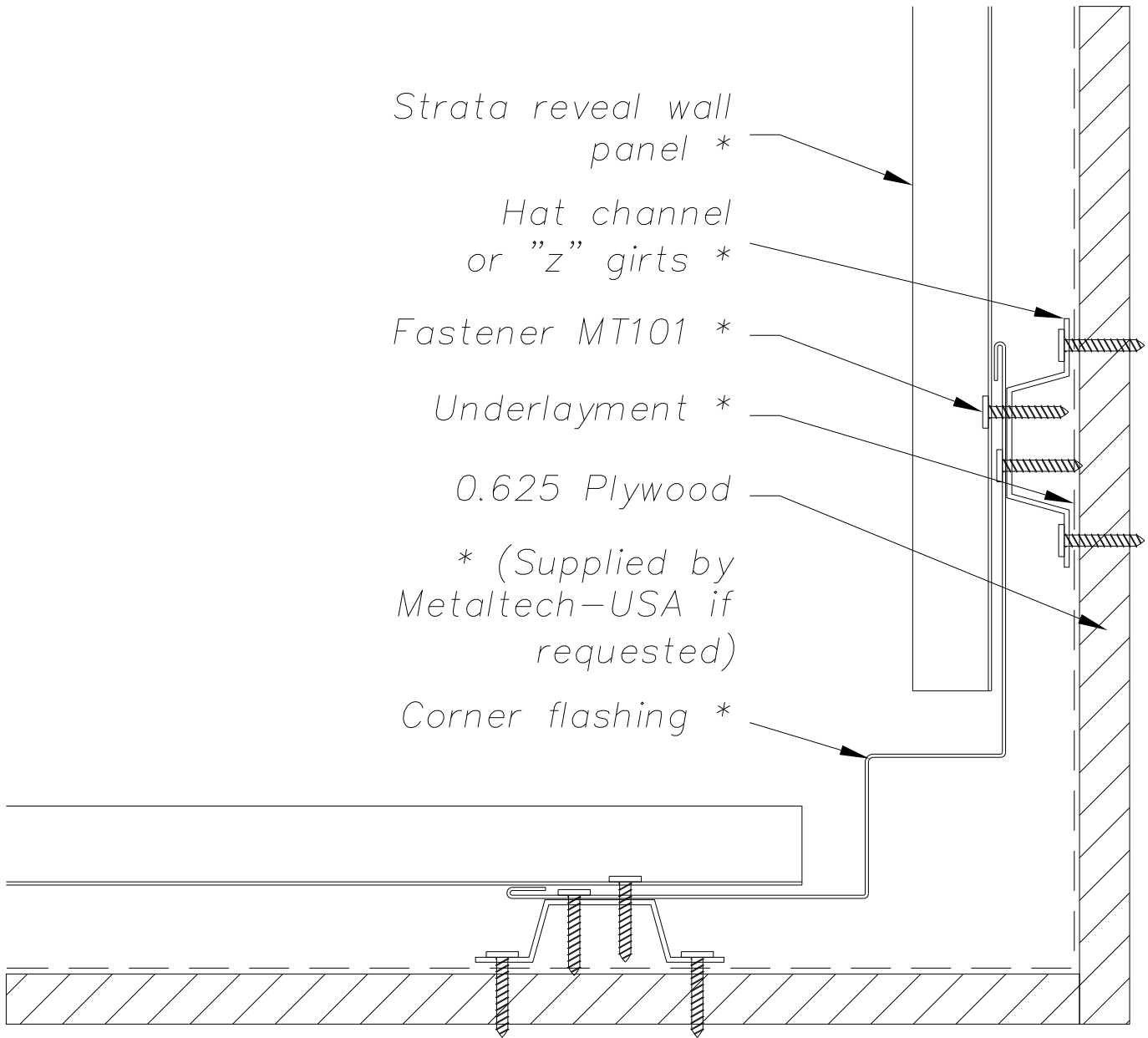
Fastener MT101 *

Underlayment *

0.625 Plywood

* (Supplied by Metaltech-USA if requested)

Corner flashing *



NOTE:
 Information and details are only a baseline for system and installation. Modification to meet project requirement is the responsibility of the designer, architect and contractor. MetalTech-USA project staff are available to assist throughout the design and build process. © 2011 MetalTech-USA. All rights reserved.

UNLESS OTHERWISE SPECIFIED
 DIMENSIONS ARE IN INCHES

DRAWING NAME:
 INTERIOR CORNER - OPTION 3

REVISION NO:
 A

DATED CREATED:
 12/18/2015



611 Highway 74 South | Suite 900
 Peachtree City, GA 30269
 Phone: 770-486-8825 | 770-631-7689

DWG NO:
 MT_STRPH_1403

CHECKED BY:
 THENDERSON

APPROVED BY:
 ESIMONSEN

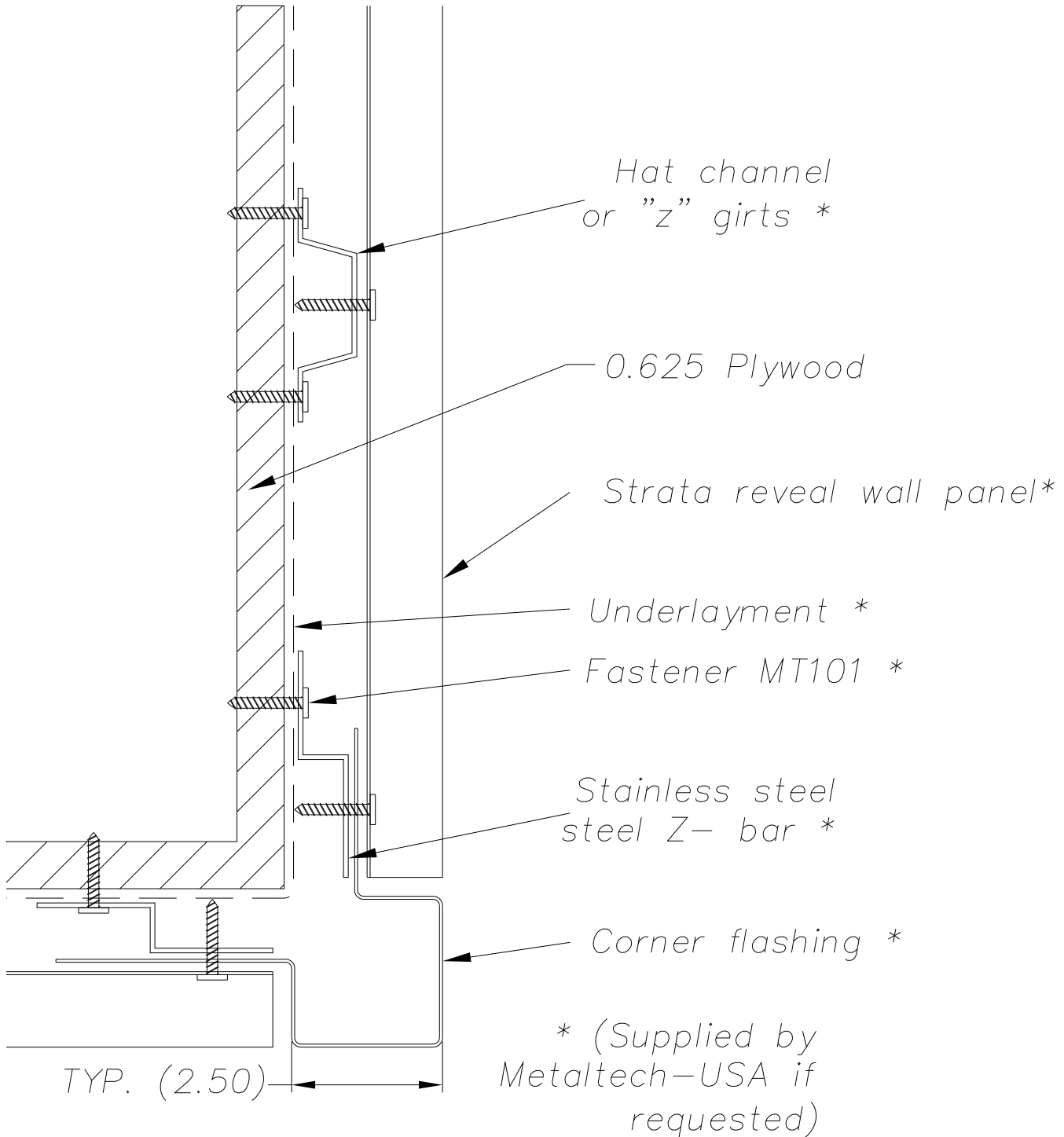
PROJECT NAME:
 INTERIOR DETAILS

SCALE:
 NTS

SHEET NO:
 3 OF 3

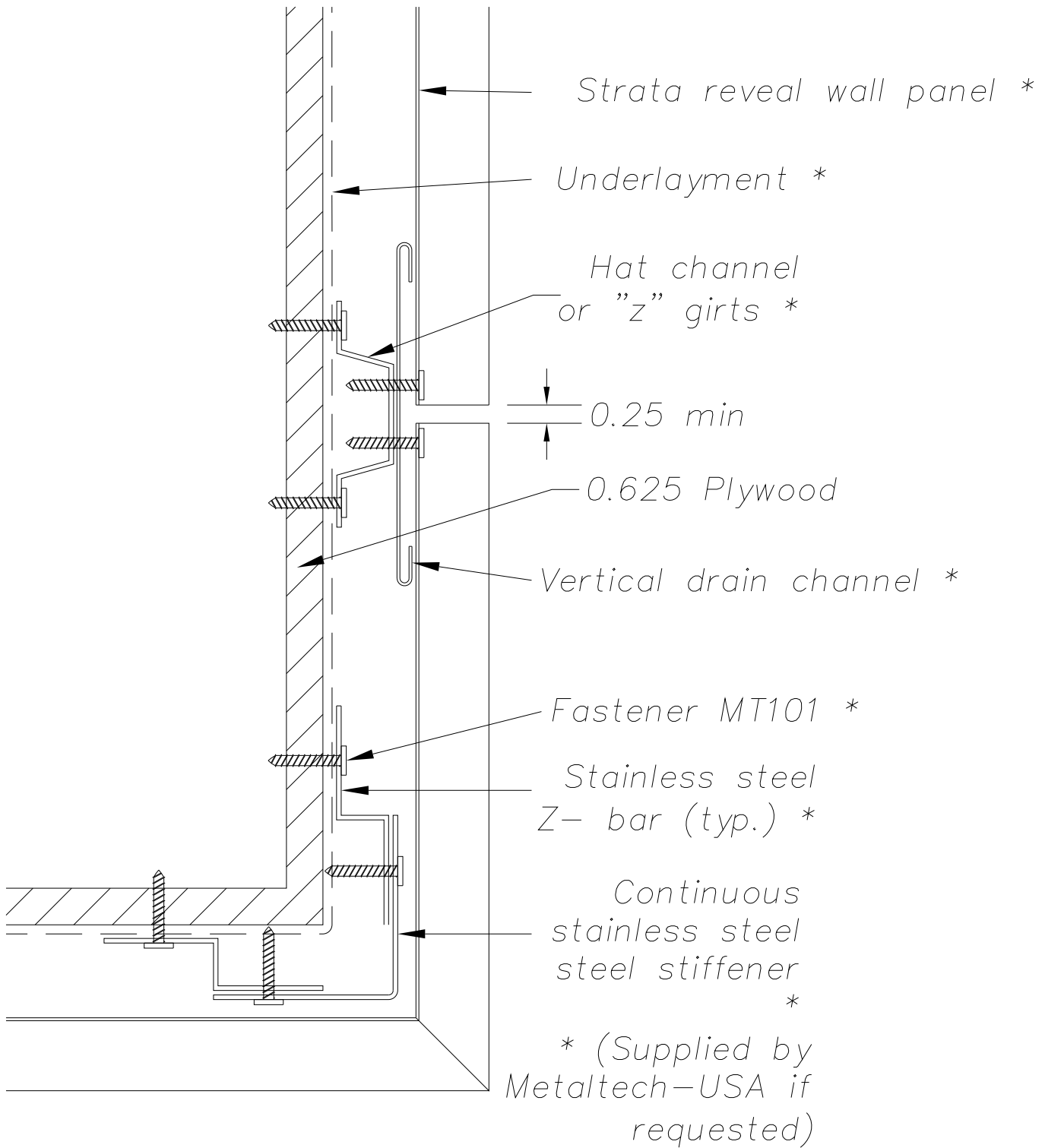
SIZE:
 A

TOLERANCES:
 ANGULAR ±1° LINEAR ±0.06



NOTE:
Information and details are only a baseline for system and installation. Modification to meet project requirement is the responsibility of the designer, architect and contractor. MetalTech-USA project staff are available to assist throughout the design and build process. © 2011 MetalTech-USA. All rights reserved.

<p>UNLESS OTHERWISE SPECIFIED DIMENSIONS ARE IN INCHES</p>	<p>DRAWING NAME: EXTERIOR CORNER - OPTION 1</p>		<p>REVISION NO: A</p>	<p>DATED CREATED: 12/18/2015</p>
	<p>DWG NO: MT_STRPH_1501</p>		<p>CHECKED BY: THENDERSON</p>	<p>APPROVED BY: ESIMONSEN</p>
<p>MetalTech-USA Changing Ideas Into Sustainable Reality.™</p> <p>611 Highway 74 South Suite 900 Peachtree City, GA 30269 Phone: 770-486-8825 770-631-7689</p>	<p>PROJECT NAME: EXTERIOR DETAILS</p>			
	<p>SCALE: NTS</p>	<p>SHEET NO: 1 OF 4</p>	<p>SIZE: A</p>	<p>TOLERANCES: ANGULAR ±1° LINEAR ±0.06</p>



NOTE:
 Information and details are only a baseline for system and installation. Modification to meet project requirement is the responsibility of the designer, architect and contractor. MetalTech-USA project staff are available to assist throughout the design and build process. © 2011 MetalTech-USA. All rights reserved.

UNLESS OTHERWISE SPECIFIED DIMENSIONS ARE IN INCHES	DRAWING NAME: EXTERIOR CORNER - OPTION 2		REVISION NO: A	DATED CREATED: 12/18/2015
	DWG NO: MT_STRPH_1502		CHECKED BY: THENDERSON	APPROVED BY: ESIMONSEN
PROJECT NAME: EXTERIOR DETAILS				
SCALE: NTS		SHEET NO: 2 OF 4	SIZE: A	TOLERANCES: ANGULAR ±1' LINEAR ±0.06

MetalTech-USA
 Changing Ideas Into Sustainable Reality.™
 611 Highway 74 South | Suite 900
 Peachtree City, GA 30269
 Phone: 770-486-8825 | 770-631-7689

Strata reveal wall panel *

Hat channel or "z" girts *

Fastener MT101 *

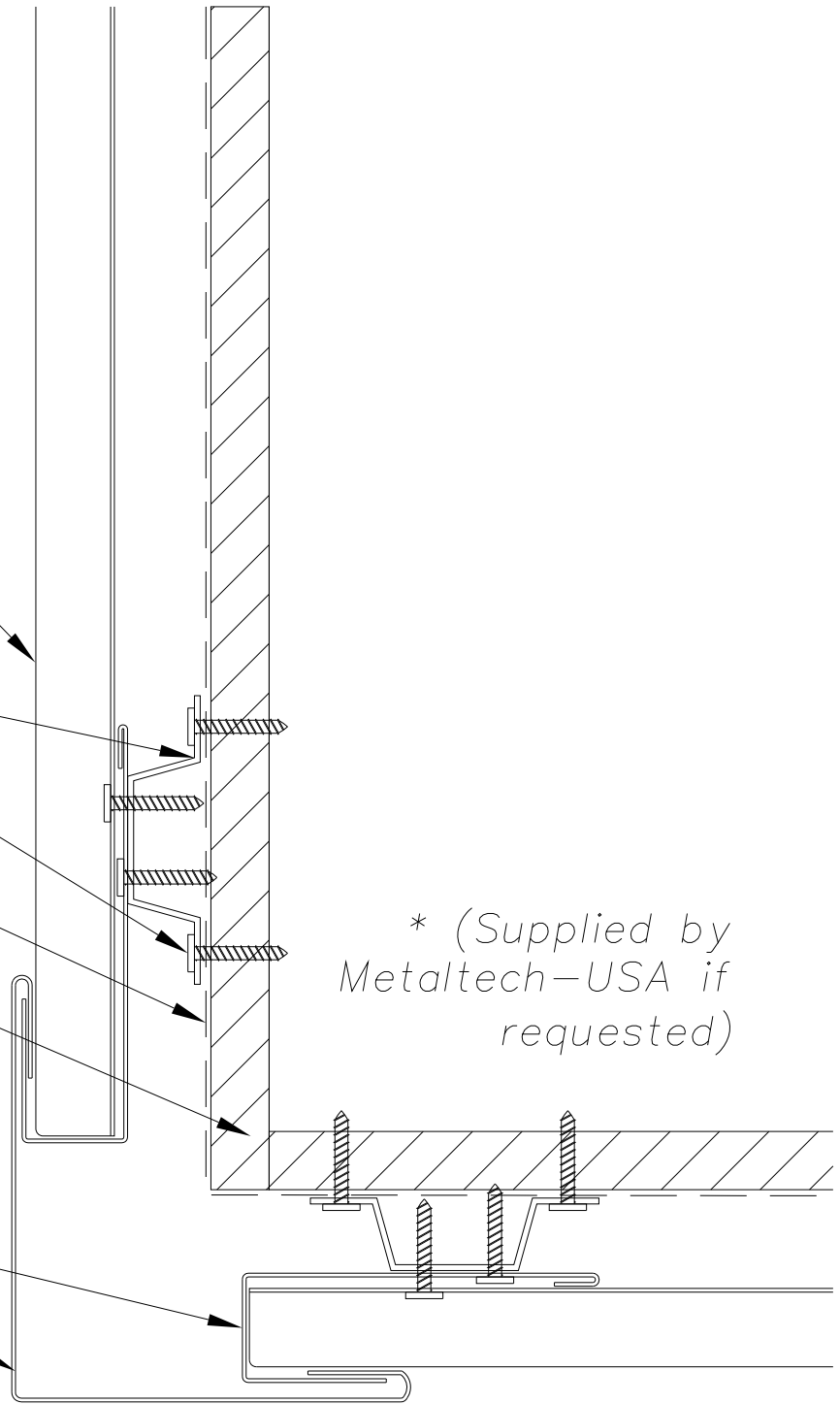
Underlayment *

0.625 Plywood

* (Supplied by Metaltech-USA if requested)

J-Channel *

Corner flashing *



NOTE:
Information and details are only a baseline for system and installation. Modification to meet project requirement is the responsibility of the designer, architect and contractor. MetalTech-USA project staff are available to assist throughout the design and build process. © 2011 MetalTech-USA. All rights reserved.

UNLESS OTHERWISE SPECIFIED
DIMENSIONS ARE IN INCHES

DRAWING NAME:
EXTERIOR CORNER - OPTION 3

REVISION NO:
A

DATED CREATED:
12/18/2015



611 Highway 74 South | Suite 900
Peachtree City, GA 30269
Phone: 770-486-8825 | 770-631-7689

DWG NO:
MT_STRPH_1503

CHECKED BY:
THENDERSON

APPROVED BY:
ESIMONSEN

PROJECT NAME:
EXTERIOR DETAILS

SCALE:
NTS

SHEET NO:
3 OF 4

SIZE:
A

TOLERANCES:
ANGULAR ±1° LINEAR ±0.06

* (Supplied by
Metaltech-USA if
requested)

Strata reveal wall panel *

Underlayment *

0.625 Plywood

Fastener MT101 *

Corner flashing *

NOTE:
Information and details are only a baseline for system and installation. Modification to meet project requirement is the responsibility of the designer, architect and contractor. MetalTech-USA project staff are available to assist throughout the design and build process. © 2011 MetalTech-USA. All rights reserved.

UNLESS OTHERWISE SPECIFIED
DIMENSIONS ARE IN INCHES

DRAWING NAME:
EXTERIOR CORNER - OPTION 4

REVISION NO:
A

DATED CREATED:
12/18/2015



Changing Ideas Into Sustainable Reality.™

611 Highway 74 South | Suite 900
Peachtree City, GA 30269
Phone: 770-486-8825 | 770-631-7689

DWG NO:
MT_STRPH_1504

CHECKED BY:
THENDERSON

APPROVED BY:
ESIMONSEN

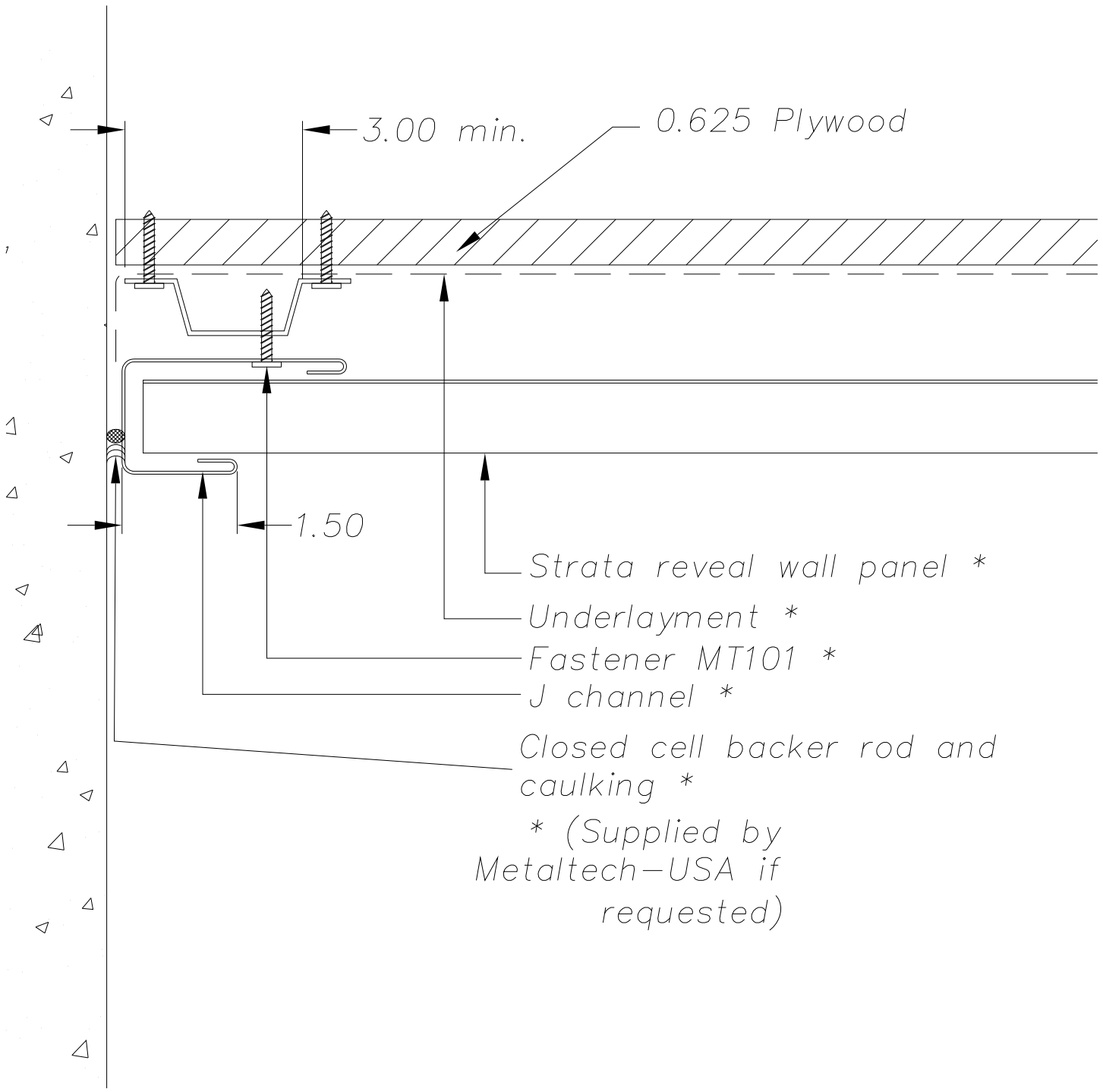
PROJECT NAME:
EXTERIOR DETAILS

SCALE:
NTS

SHEET NO:
4 OF 4


SIZE:
A

TOLERANCES:
ANGULAR ±1° LINEAR ±0.06



3.00 min.
 0.625 Plywood
 1.50
 Strata reveal wall panel *
 Underlayment *
 Fastener MT101 *
 J channel *
 Closed cell backer rod and caulking *
 * (Supplied by Metaltech-USA if requested)

NOTE:
 Information and details are only a baseline for system and installation. Modification to meet project requirement is the responsibility of the designer, architect and contractor. MetalTech-USA project staff are available to assist throughout the design and build process. © 2011 MetalTech-USA. All rights reserved.

UNLESS OTHERWISE SPECIFIED DIMENSIONS ARE IN INCHES	DRAWING NAME: END OF WALL DETAIL	REVISION NO: A	DATED CREATED: 12/18/2015
 Changing Ideas Into Sustainable Reality.™ 611 Highway 74 South Suite 900 Peachtree City, GA 30269 Phone: 770-486-8825 770-631-7689	DWG NO: MT_STRPH_1601	CHECKED BY: THENDERSON	APPROVED BY: ESIMONSEN
	PROJECT NAME: END OF WALL DETAILS		
SCALE: NTS	SHEET NO: 1 OF 1	SIZE: A	TOLERANCES: ANGULAR ±1° LINEAR ±0.06