

Interlocking Reveal Panel System

INDEX OF DRAWINGS

GENERAL DETAILS

MT_IRWPH_1001 – Interlocking Reveal Panel (Horizontal)
 MT_IRWPH_1002 – Interlocking Reveal Panel (Isometric)
 MT_IRWPH_1003 – Reveal Detail – Option 1
 MT_IRWPH_1004 – Reveal Detail – Option 2
 MT_IRWPH_1005 – Reveal Detail – Option 3
 MT_IRWPH_1006 – Reveal Detail – Option 4
 MT_IRWPH_1007 – Reveal Options (Isometric)

TOP OF WALL DETAILS

MT_IRWPH_1101 – Parapet Detail – Option 1
 MT_IRWPH_1102 – Parapet Detail – Option 2
 MT_IRWPH_1103 – Parapet Detail – Option 3
 MT_IRWPH_1104 – Wall To Soffit Transition
 MT_IRWPH_1105 – Soffit To Fascia Transition

WINDOW DETAILS

MT_IRWPH_1201 – Sill Detail – Option 1
 MT_IRWPH_1202 – Sill Detail – Option 2
 MT_IRWPH_1203 – Sill Detail – Option 3
 MT_IRWPH_1204 – Jamb Detail – Option 1
 MT_IRWPH_1205 – Jamb Detail – Option 2
 MT_IRWPH_1206 – Jamb Detail – Option 3
 MT_IRWPH_1207 – Head Detail – Option 1
 MT_IRWPH_1208 – Head Detail – Option 2
 MT_IRWPH_1209 – Head Detail – Option 3
 MT_IRWPH_1210 – Head Detail – Option 4

BOTTOM OF WALL DETAILS

MT_IRWPH_1301 – Base Detail – Option 1
 MT_IRWPH_1302 – Base Detail – Option 2

INTERIOR DETAILS

MT_IRWPH_1401 – Interior Corner – Option 1
 MT_IRWPH_1402 – Interior Corner – Option 2
 MT_IRWPH_1403 – Interior Corner – Option 3


EXTERIOR DETAILS

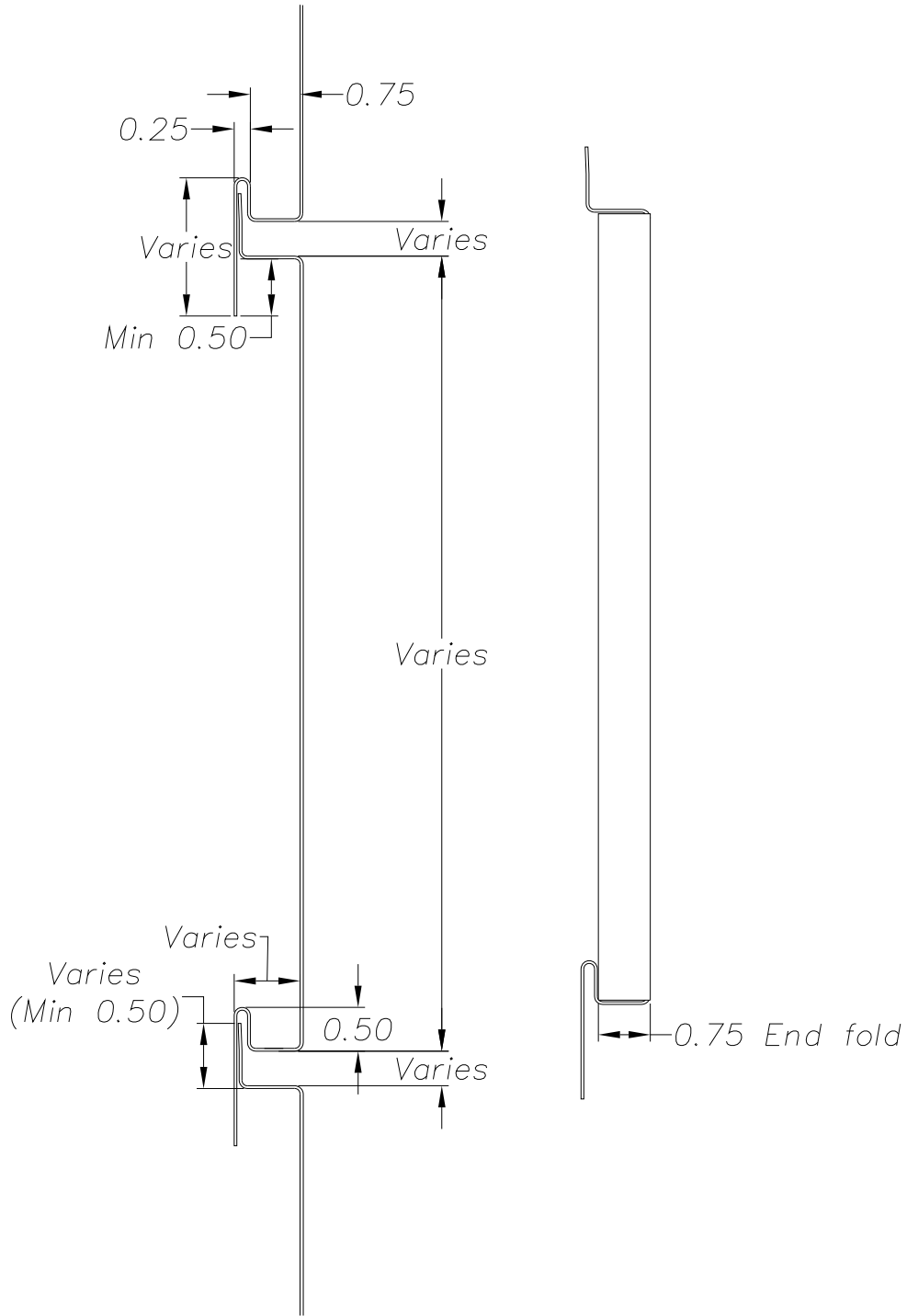
MT_IRWPH_1501 – Exterior Corner – Option 1
 MT_IRWPH_1502 – Exterior Corner – Option 2
 MT_IRWPH_1503 – Exterior Corner – Option 3
 MT_IRWPH_1504 – Exterior Corner – Option 4

END OF WALL DETAILS


MT_IRWPH_1601 – End Of Wall Detail

NOTE:
 Information and details are only a baseline for system and installation. Modification to meet project requirement is the responsibility of the designer, architect and contractor. MetalTech–USA project staff are available to assist throughout the design and build process. © 2011 MetalTech–USA. All rights reserved.

UNLESS OTHERWISE SPECIFIED DIMENSIONS ARE IN INCHES		DRAWING NAME: INDEX		REVISION NO: A		DATED CREATED: 10/15/14	
 Changing Ideas Into Sustainable Reality.™ 611 Highway 74 South Suite 900 Peachtree City, GA 30269 Phone: 770-486-8825 770-631-7689		DWG NO: MT_IRWPH_0000		CHECKED BY: ESIMONSEN		APPROVED BY: ESIMONSEN	
		PROJECT NAME: INDEX					
SCALE: SCALE		SHEET NO: 1 OF 1		SIZE: A		TOLERANCES: ANGULAR ±1' LINEAR ±0.06	



NOTE:
 Information and details are only a baseline for system and installation. Modification to meet project requirement is the responsibility of the designer, architect and contractor. MetalTech-USA project staff are available to assist throughout the design and build process. © 2011 MetalTech-USA. All rights reserved.

<p>UNLESS OTHERWISE SPECIFIED DIMENSIONS ARE IN INCHES</p>  <p>MetalTech-USA Changing Ideas Into Sustainable Reality.™</p> <p>611 Highway 74 South Suite 900 Peachtree City, GA 30269 Phone: 770-486-8825 770-631-7689</p>	<p>DRAWING NAME: INTERLOCKING REVEAL PANEL (HORIZONTAL)</p>	<p>REVISION NO: A</p>	<p>DATED CREATED: 10/22/2014</p>
	<p>DWG NO: MT_IRWPH_1001</p>	<p>CHECKED BY: ESIMONSEN</p>	<p>APPROVED BY: ESIMONSEN</p>
<p>PROJECT NAME: GENERAL DETAILS</p>			
<p>SCALE: NTS</p>	<p>SHEET NO: 1 OF 9</p>	<p>SIZE: A</p>	<p>TOLERANCES: ANGULAR ±1° LINEAR ±0.06</p>



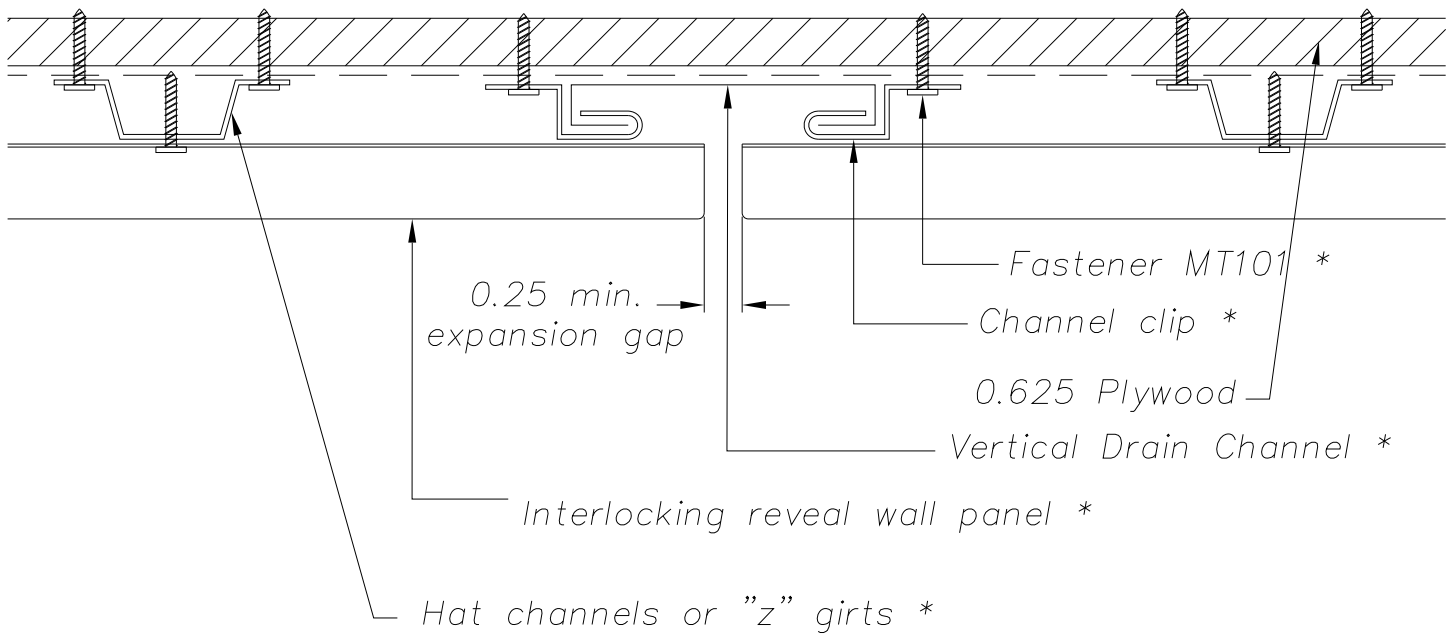
Fastener Spacing:

Stainless steel fasteners @ 12" O.C. Slotted fastener points at 12" O.C. as needed per panel. Slotted fastener points allow for expansion and contraction. Panels 8'-0" or less do not require slotted fastener holes.

NOTE:
 Information and details are only a baseline for system and installation. Modification to meet project requirement is the responsibility of the designer, architect and contractor. MetalTech-USA project staff are available to assist throughout the design and build process. © 2011 MetalTech-USA. All rights reserved.


UNLESS OTHERWISE SPECIFIED DIMENSIONS ARE IN INCHES	DRAWING NAME: INTERLOCKING REVEAL PANEL (ISOMETRIC)		REVISION NO: A	DATED CREATED: 10/22/2014
	DWG NO: MT_IRWPH_1002		CHECKED BY: ESIMONSEN	APPROVED BY: ESIMONSEN
PROJECT NAME: GENERAL DETAILS				
SCALE: NTS		SHEET NO: 2 OF 9	SIZE: A	TOLERANCES: ANGULAR ±1° LINEAR ±0.06

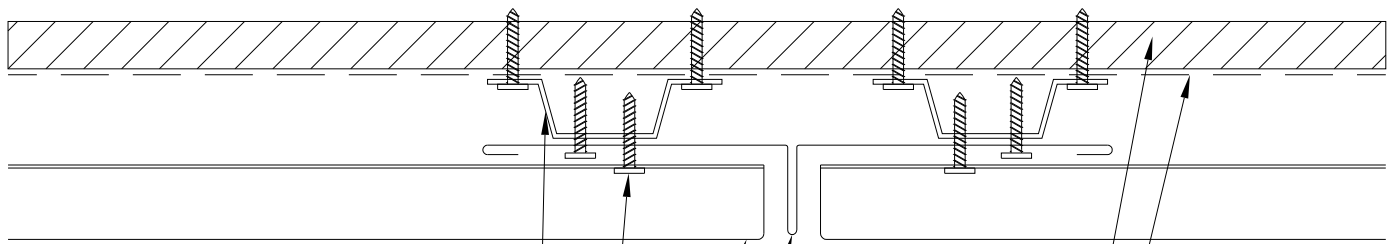
MetalTech-USA
 Changing Ideas Into Sustainable Reality.™
 611 Highway 74 South | Suite 900
 Peachtree City, GA 30269
 Phone: 770-486-8825 | 770-631-7689



* (Supplied by
Metaltech-USA if
requested)

NOTE:
Information and details are only a baseline for system and installation. Modification to meet project requirement is the responsibility of the designer, architect and contractor. MetalTech-USA project staff are available to assist throughout the design and build process. © 2011 MetalTech-USA. All rights reserved.

UNLESS OTHERWISE SPECIFIED DIMENSIONS ARE IN INCHES	DRAWING NAME: REVEAL DETAIL - OPTION 1		REVISION NO: A	DATED CREATED: 10/22/2014	
	DWG NO: MT_IRWPH_1003		CHECKED BY: ESIMONSEN	APPROVED BY: ESIMONSEN	
 MetalTech-USA Changing Ideas Into Sustainable Reality.™ 611 Highway 74 South Suite 900 Peachtree City, GA 30269 Phone: 770-486-8825 770-631-7689	PROJECT NAME: GENERAL DETAILS				
	SCALE: NTS	SHEET NO: 3 OF 9	SIZE: A	TOLERANCES: ANGULAR ±1° LINEAR ±0.06	



Hat channels or "z" girts *

Fastener MT101 *

Interlocking reveal wall panel *


Cross joint flashing *

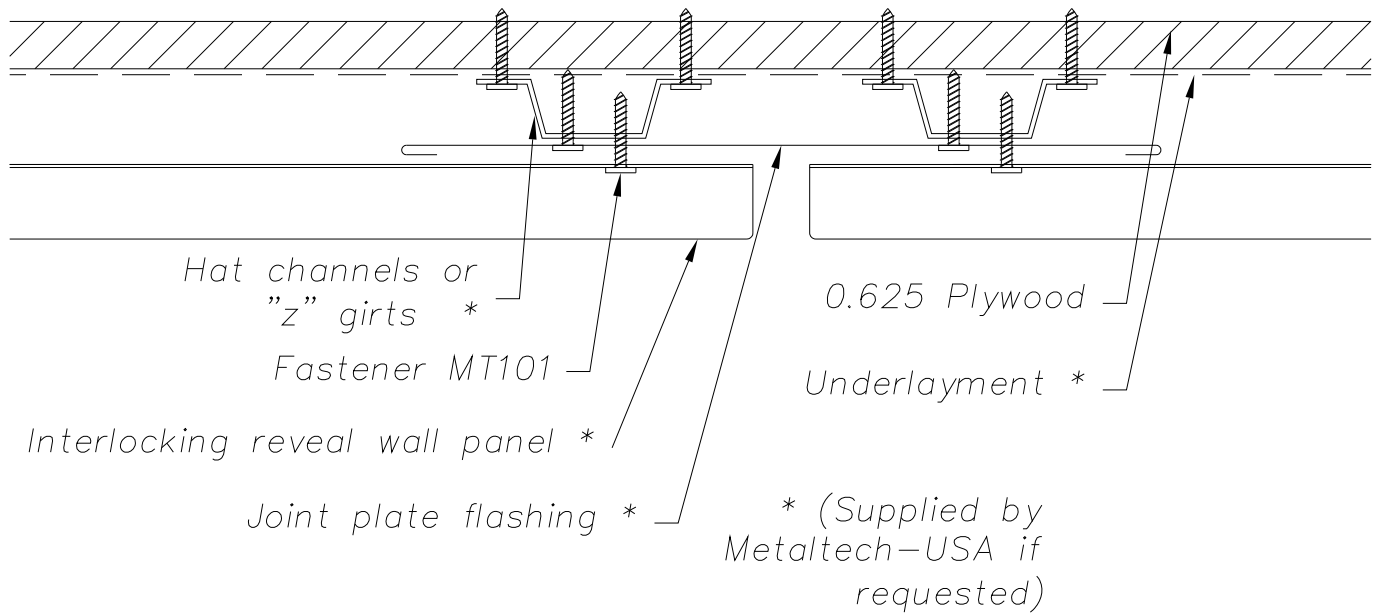
0.625 Plywood

Underlayment *

* (Supplied by Metaltech-USA if requested)

NOTE:
 Information and details are only a baseline for system and installation. Modification to meet project requirement is the responsibility of the designer, architect and contractor. MetalTech-USA project staff are available to assist throughout the design and build process. © 2011 MetalTech-USA. All rights reserved.

UNLESS OTHERWISE SPECIFIED DIMENSIONS ARE IN INCHES	DRAWING NAME: REVEAL DETAIL - OPTION 2		REVISION NO: A	DATED CREATED: 10/22/2014	
	DWG NO: MT_IRWPH_1004		CHECKED BY: ESIMONSEN	APPROVED BY: ESIMONSEN	
 MetalTech-USA Changing Ideas Into Sustainable Reality.™ 611 Highway 74 South Suite 900 Peachtree City, GA 30269 Phone: 770-486-8825 770-631-7689	PROJECT NAME: GENERAL DETAILS				
	SCALE: NTS	SHEET NO: 4 OF 9	SIZE: A	TOLERANCES: ANGULAR ±1° LINEAR ±0.06	

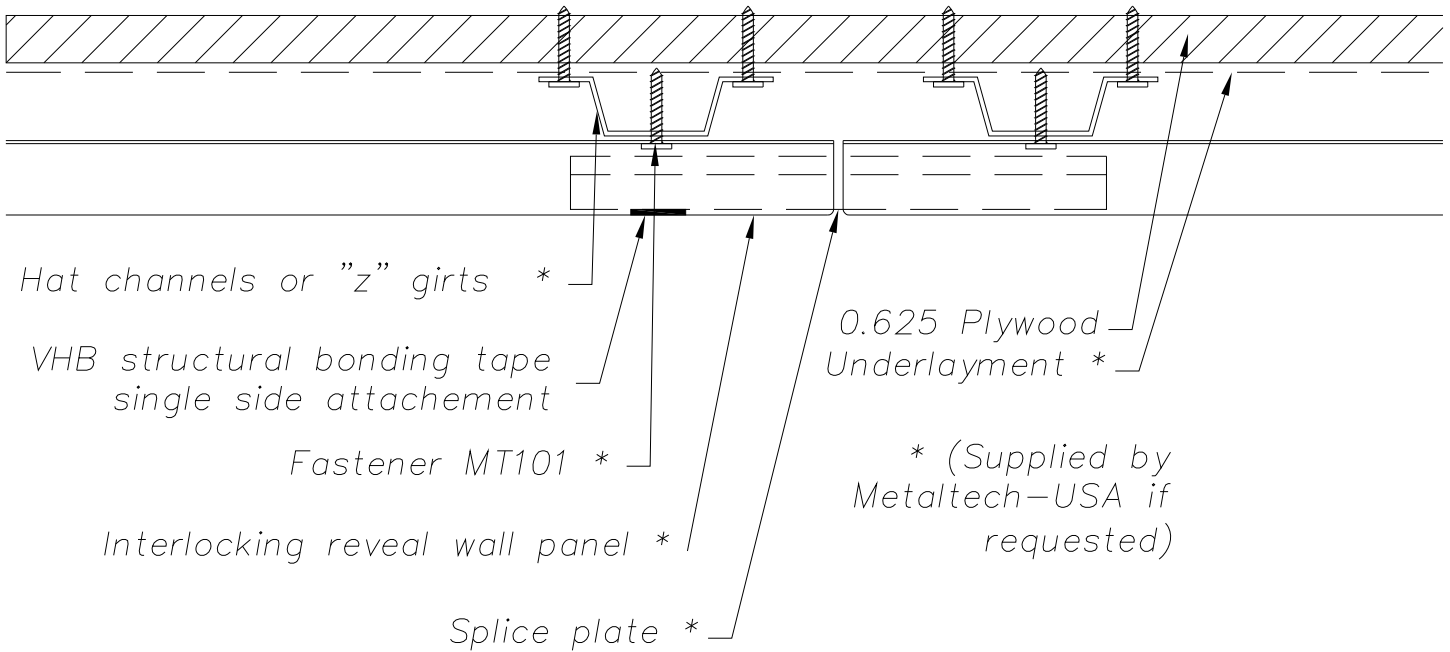


NOTE:
 Information and details are only a baseline for system and installation. Modification to meet project requirement is the responsibility of the designer, architect and contractor. MetalTech-USA project staff are available to assist throughout the design and build process. © 2011 MetalTech-USA. All rights reserved.


UNLESS OTHERWISE SPECIFIED DIMENSIONS ARE IN INCHES	DRAWING NAME: REVEAL DETAIL - OPTION 3		REVISION NO: A	DATED CREATED: 10/22/2014
	DWG NO: MT_IRWPH_1005		CHECKED BY: ESIMONSEN	APPROVED BY: ESIMONSEN
PROJECT NAME: GENERAL DETAILS				
SCALE: NTS		SHEET NO: 5 OF 9	SIZE: A	TOLERANCES: ANGULAR ±1° LINEAR ±0.06

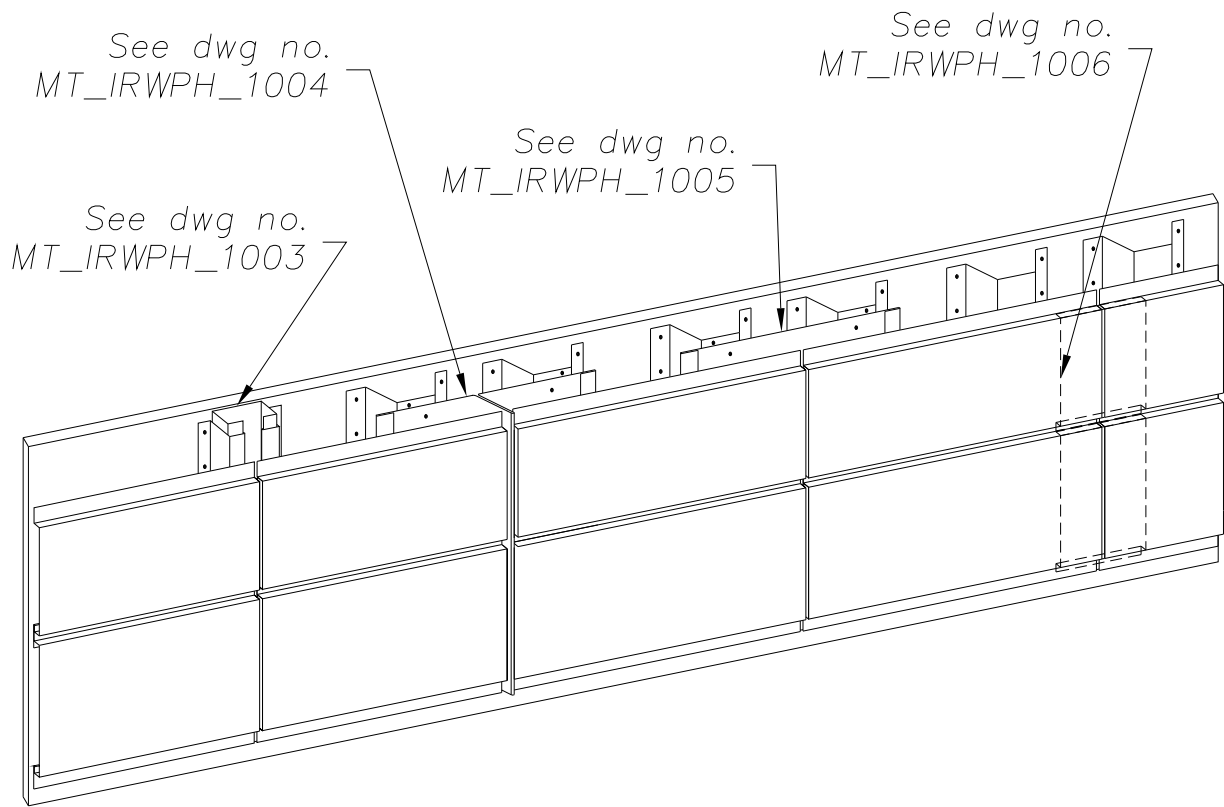
MetalTech-USA
 Changing Ideas Into Sustainable Reality.™

611 Highway 74 South | Suite 900
 Peachtree City, GA 30269
 Phone: 770-486-8825 | 770-631-7689




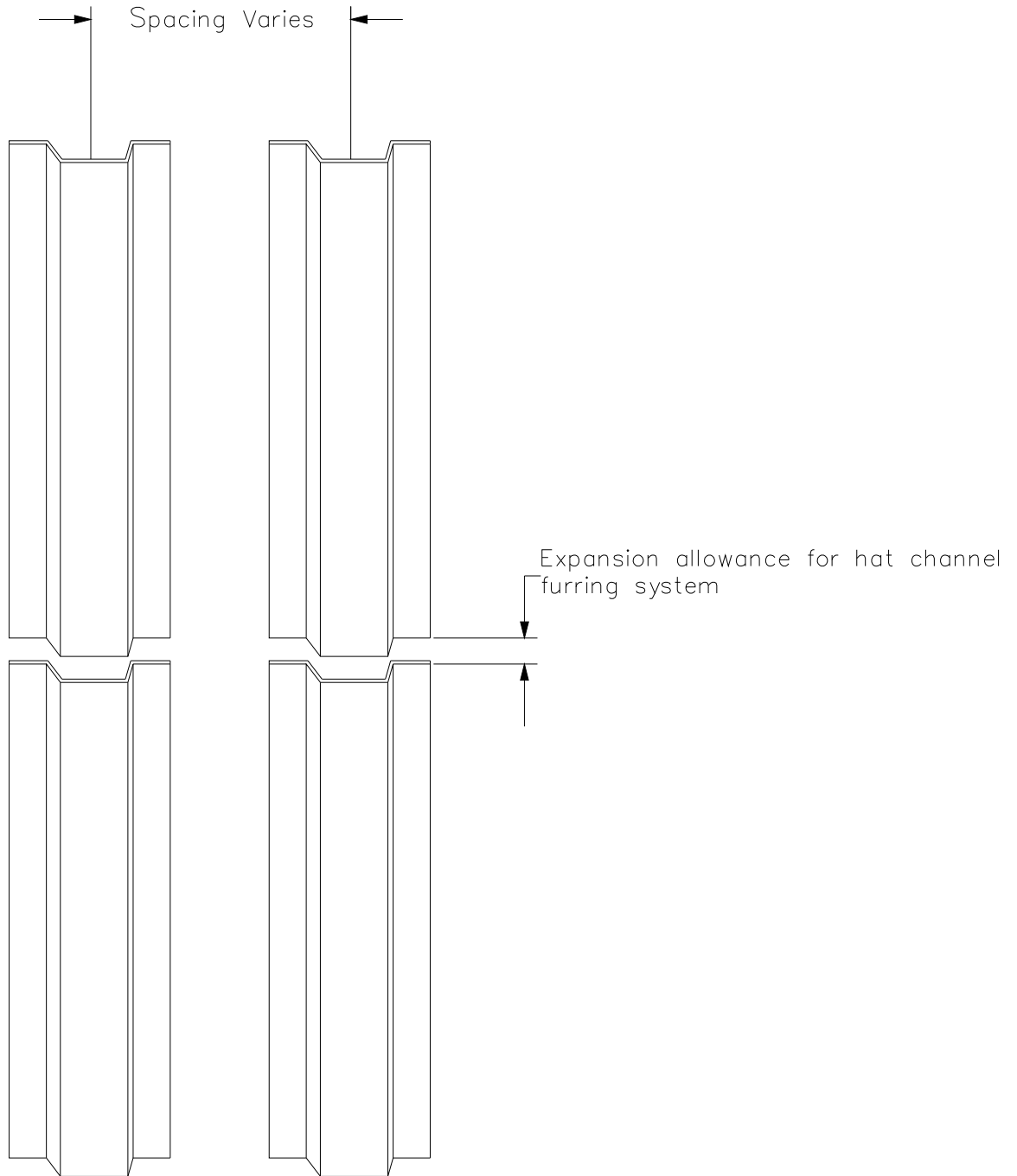
NOTE:
Information and details are only a baseline for system and installation. Modification to meet project requirement is the responsibility of the designer, architect and contractor. MetalTech-USA project staff are available to assist throughout the design and build process. © 2011 MetalTech-USA. All rights reserved.

<p>UNLESS OTHERWISE SPECIFIED DIMENSIONS ARE IN INCHES</p>  <p>MetalTech-USA Changing Ideas Into Sustainable Reality.™</p> <p>611 Highway 74 South Suite 900 Peachtree City, GA 30269 Phone: 770-486-8825 770-631-7889</p>	<p>DRAWING NAME: REVEAL DETAIL - OPTION 4</p>		<p>REVISION NO: A</p>	<p>DATED CREATED: 10/22/2014</p>
	<p>DWG NO: MT_IRWPH_1006</p>		<p>CHECKED BY: ESIMONSEN</p>	<p>APPROVED BY: ESIMONSEN</p>
	<p>PROJECT NAME: GENERAL DETAILS</p>			
	<p>SCALE: NTS</p>	<p>SHEET NO: 6 OF 9</p>	<p>SIZE: A</p>	<p>TOLERANCES: ANGULAR ±1° LINEAR ±0.06</p>




NOTE:
 Information and details are only a baseline for system and installation. Modification to meet project requirement is the responsibility of the designer, architect and contractor. MetalTech-USA project staff are available to assist throughout the design and build process. © 2011 MetalTech-USA. All rights reserved.

UNLESS OTHERWISE SPECIFIED DIMENSIONS ARE IN INCHES	DRAWING NAME: REVEAL OPTIONS (ISOMETRIC)	REVISION NO: A	DATED CREATED: 10/22/2014
 Changing Ideas Into Sustainable Reality.™ 611 Highway 74 South Suite 900 Peachtree City, GA 30269 Phone: 770-486-8825 770-631-7689	DWG NO: MT_IRWPH_1007	CHECKED BY: ESIMONSEN	APPROVED BY: ESIMONSEN
	PROJECT NAME: GENERAL DETAILS		
SCALE: NTS	SHEET NO: 7 OF 9	SIZE: A	TOLERANCES: ANGULAR ±1° LINEAR ±0.06



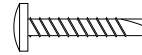
NOTE: Spacing based on material and hat channel lengths. Depending on continuous gross square footage of wall panel, consideration for expansion and contraction should also be given for attached panels, substrate, and single skin.

NOTE: Information and details are only a baseline for system and installation. Modification to meet project requirement is the responsibility of the designer, architect and contractor. MetalTech-USA project staff are available to assist throughout the design and build process. © 2011 MetalTech-USA. All rights reserved.

<p>UNLESS OTHERWISE SPECIFIED DIMENSIONS ARE IN INCHES</p>  <p>MetalTech-USA Changing Ideas Into Sustainable Reality.™</p> <p>611 Highway 74 South Suite 900 Peachtree City, GA 30269 Phone: 770-486-8825 770-631-7689</p>	<p>DRAWING NAME: HAT CHANNEL SPACING</p>	<p>REVISION NO: A</p>	<p>DATED CREATED: 11/14/2014</p>
	<p>DWG NO: MT_IRWPH_1008</p>	<p>CHECKED BY: ESIMONSEN</p>	<p>APPROVED BY: ESIMONSEN</p>
	<p>PROJECT NAME: GENERAL DETAILS</p>		
<p>SCALE: NTS</p>	<p>SHEET NO: 8 OF 9</p>	<p>SIZE: A</p>	<p>TOLERANCES: ANGULAR ±1° LINEAR ±0.06</p>




MT101
Wood Applications



MT101SX3
Sheet Metal Applications

NOTE:
Information and details are only a baseline for system and installation. Modification to meet project requirement is the responsibility of the designer, architect and contractor. MetalTech-USA project staff are available to assist throughout the design and build process. © 2011 MetalTech-USA. All rights reserved.

UNLESS OTHERWISE SPECIFIED DIMENSIONS ARE IN INCHES	DRAWING NAME: FASTENERS		REVISION NO: A	DATED CREATED: 11/14/2014
 MetalTech-USA Changing Ideas Into Sustainable Reality.™ 611 Highway 74 South Suite 900 Peachtree City, GA 30269 Phone: 770-486-8825 770-631-7689	DWG NO: MT_IRWPH_1009		CHECKED BY: ESIMONSEN	APPROVED BY: ESIMONSEN
	PROJECT NAME: GENERAL DETAILS			
	SCALE: NTS	SHEET NO: 9 OF 9	SIZE: A	TOLERANCES: ANGULAR ±1° LINEAR ±0.06

Parapet cap w/proroofting
and 3 degree min. slope *

Enkamat*

Continuous support angle*

Adequate ventilation *
as determined

Fastener MT101 *

Hat channels or "z"
girts *

Underlayment *

Interlocking reveal wall panel *

* (Supplied by
Metaltech-USA if
requested)

Varies

Air flow

Field folded

NOTE:
Information and details are only a baseline for system and installation. Modification to meet project requirement is the responsibility of the designer, architect and contractor. MetalTech-USA project staff are available to assist throughout the design and build process. © 2011 MetalTech-USA. All rights reserved.

UNLESS OTHERWISE SPECIFIED
DIMENSIONS ARE IN INCHES

DRAWING NAME:
PARAPET DETAIL - OPTION 1

REVISION NO:
A

DATED CREATED:
10/23/14



611 Highway 74 South | Suite 900
Peachtree City, GA 30269
Phone: 770-486-8825 | 770-631-7689

DWG NO:
MT_IRWPH_1101

CHECKED BY:
ESIMONSEN

APPROVED BY:
ESIMONSEN

PROJECT NAME:
TOP OF WALL DETAILS

SCALE:
NTS

SHEET NO:
1 OF 5

SIZE:
A

TOLERANCES:
ANGULAR ±1° LINEAR ±0.06

Parapet cap w/proroofting
and 3 degree min. slope *

Enkamat *
Continuous support
angle *

Continuous cleat *

Fastener MT101 *

Interlocking reveal wall panel *

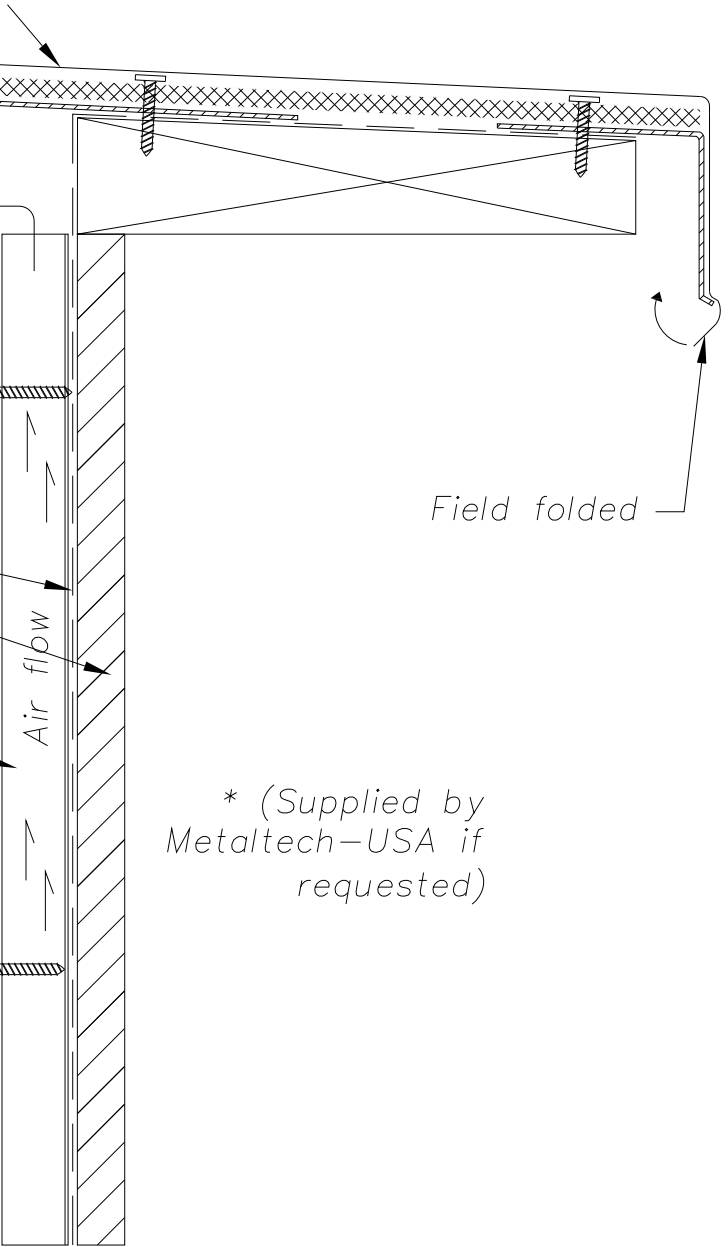
Underlayment *

0.625 Plywood

Steel channels or "z" girts *

Weeps*

Varies



Field folded

* (Supplied by
Metaltech-USA if
requested)

NOTE:
Information and details are only a baseline for system and installation. Modification to meet project requirement is the responsibility of the designer, architect and contractor. MetalTech-USA project staff are available to assist throughout the design and build process. © 2011 MetalTech-USA. All rights reserved.

UNLESS OTHERWISE SPECIFIED
DIMENSIONS ARE IN INCHES

DRAWING NAME:
PARAPET DETAIL - OPTION 2

REVISION NO:
A

DATED CREATED:
10/23/2014



611 Highway 74 South | Suite 900
Peachtree City, GA 30269
Phone: 770-486-8825 | 770-631-7689

DWG NO:
MT_IRWPH_1102

CHECKED BY:
ESIMONSEN

APPROVED BY:
ESIMONSEN

PROJECT NAME:
TOP OF WALL DETAILS

SCALE:
NTS

SHEET NO:
2 OF 5

SIZE:
A

TOLERANCES:
ANGULAR ±1° LINEAR ±0.06

Parapet cap w/proroofting
and 3 degree min. slope *

Enkamat *

Continuous support angle *

Perforated bug screen
to allow for ventilation *

Fastener MT101 *

Interlocking reveal
wall panel *

Hat channels or "z" girts *

Underlayment *

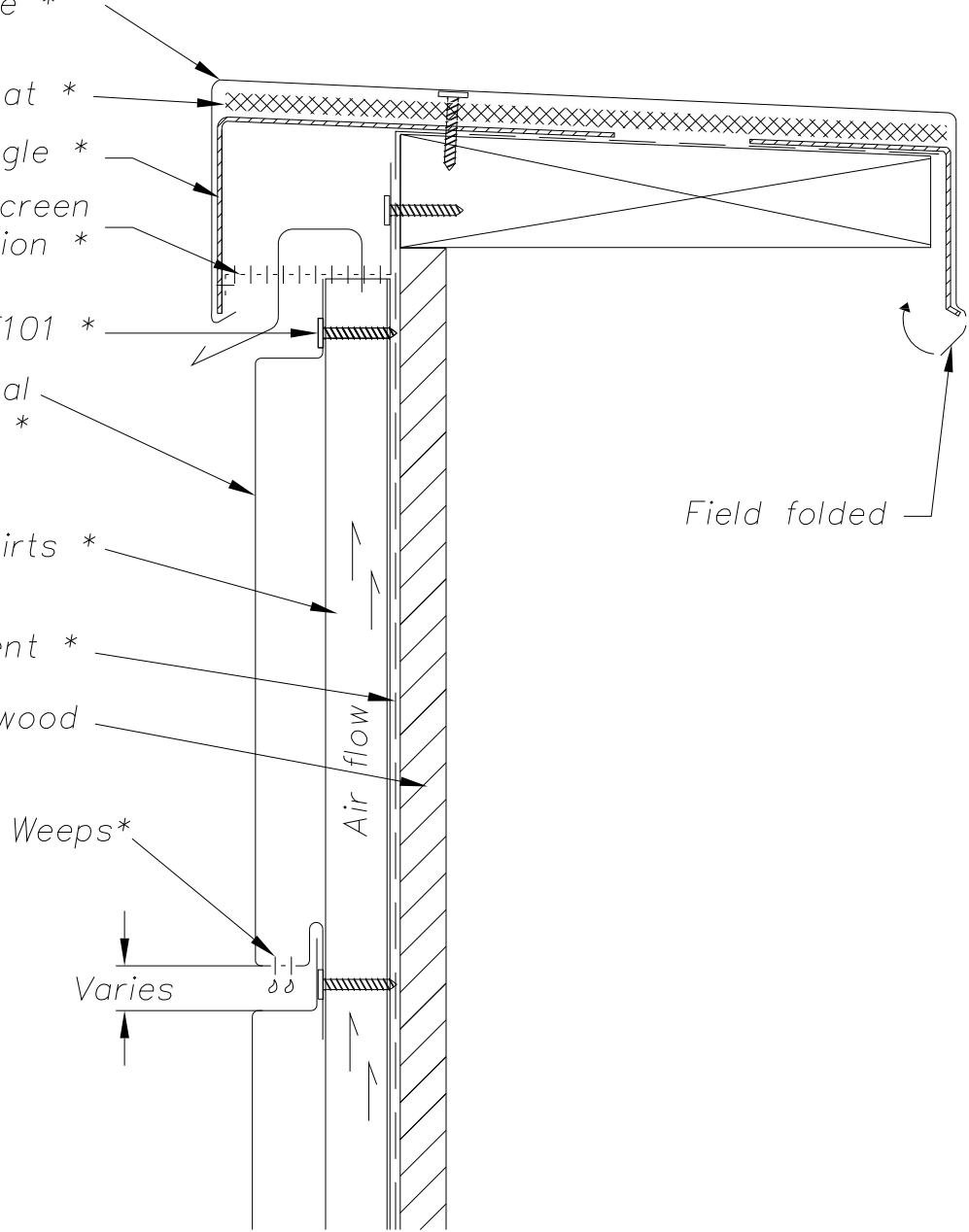
0.625 Plywood

Weeps*


Varies

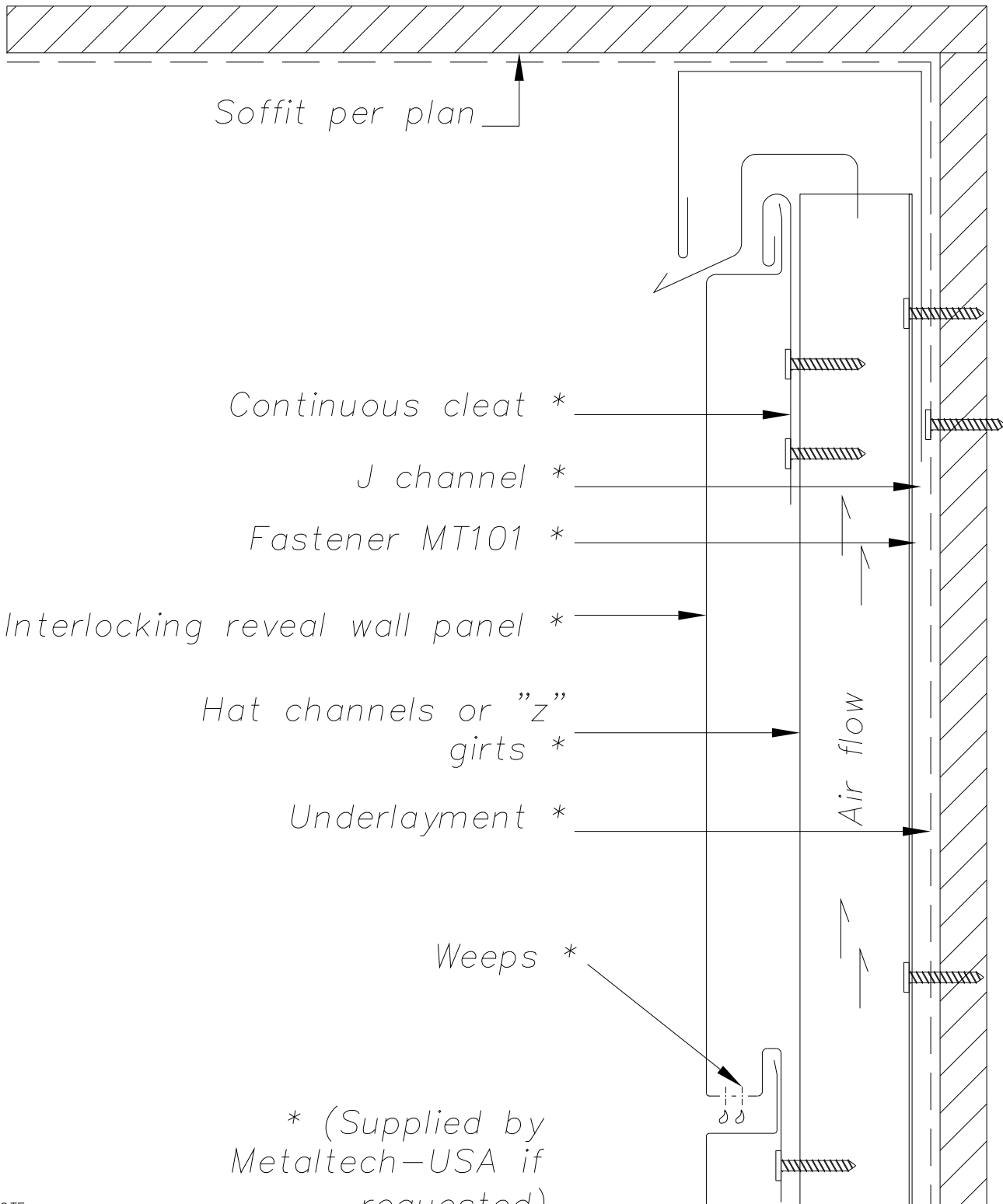
* (Supplied by
Metaltech-USA if
requested)

Field folded




NOTE:
Information and details are only a baseline for system and installation. Modification to meet project requirement is the responsibility of the designer, architect and contractor. MetalTech-USA project staff are available to assist throughout the design and build process. © 2011 MetalTech-USA. All rights reserved.

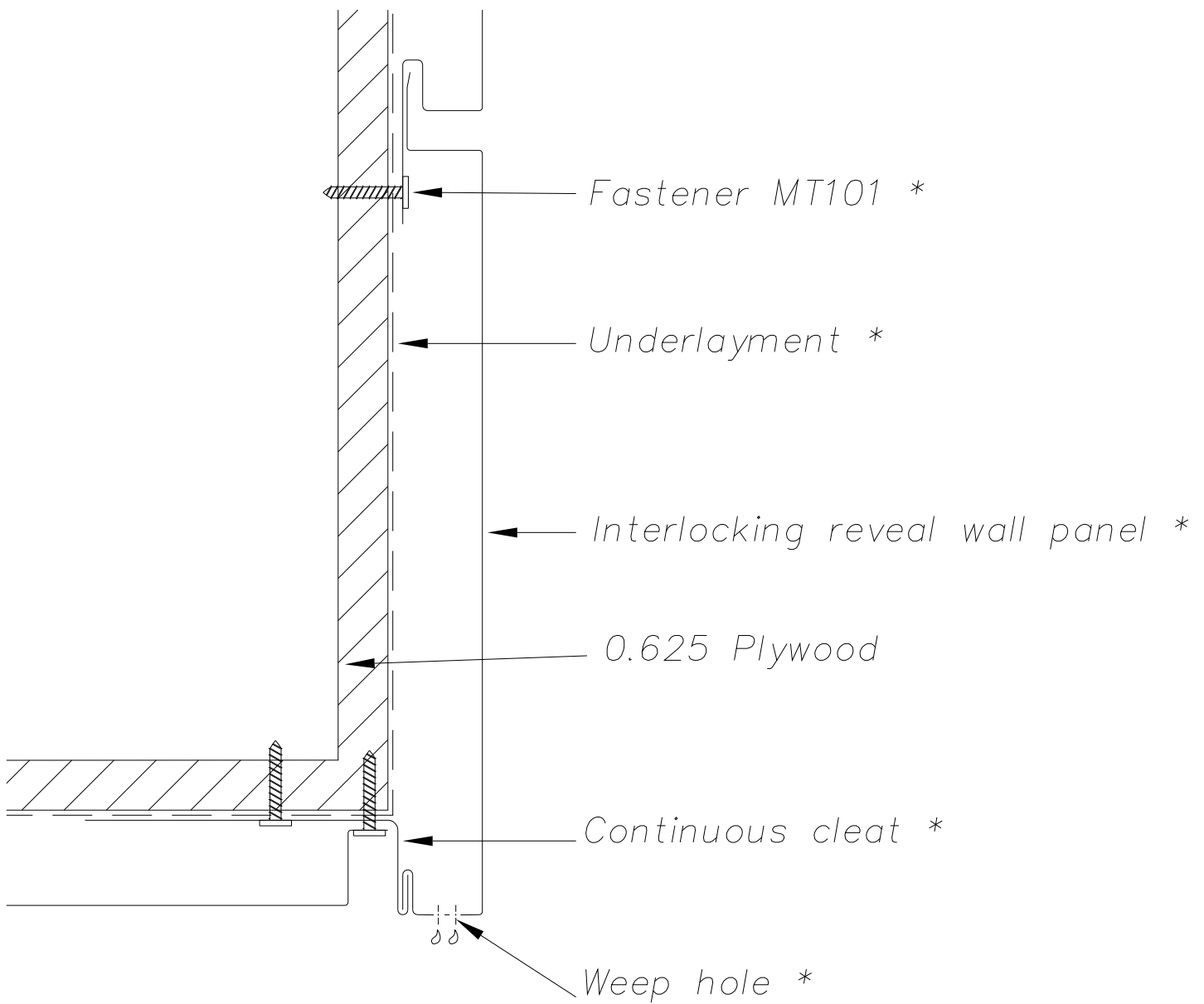
UNLESS OTHERWISE SPECIFIED DIMENSIONS ARE IN INCHES	DRAWING NAME: PARAPET DETAIL - OPTION 3	REVISION NO: A	DATED CREATED: 10/23/2014
 Changing Ideas Into Sustainable Reality.™ 611 Highway 74 South Suite 900 Peachtree City, GA 30269 Phone: 770-486-8825 770-631-7689	DWG NO: MT_IRWPH_1103	CHECKED BY: ESIMONSEN	APPROVED BY: ESIMONSEN
	PROJECT NAME: TOP OF WALL DETAILS		
SCALE: NTS	SHEET NO: 3 OF 5	SIZE: A	TOLERANCES: ANGULAR ±1° LINEAR ±0.06



- Continuous cleat *
 - J channel *
 - Fastener MT101 *
 - Interlocking reveal wall panel *
 - Hat channels or "z" girts *
 - Underlayment *
 - Weeps *
- * (Supplied by Metaltech-USA if requested)


NOTE: Information and details are only a baseline for system and installation. Modification to meet project requirement is the responsibility of the designer, architect and contractor. MetalTech-USA project staff are available to assist throughout the design and build process. © 2011 MetalTech-USA. All rights reserved.

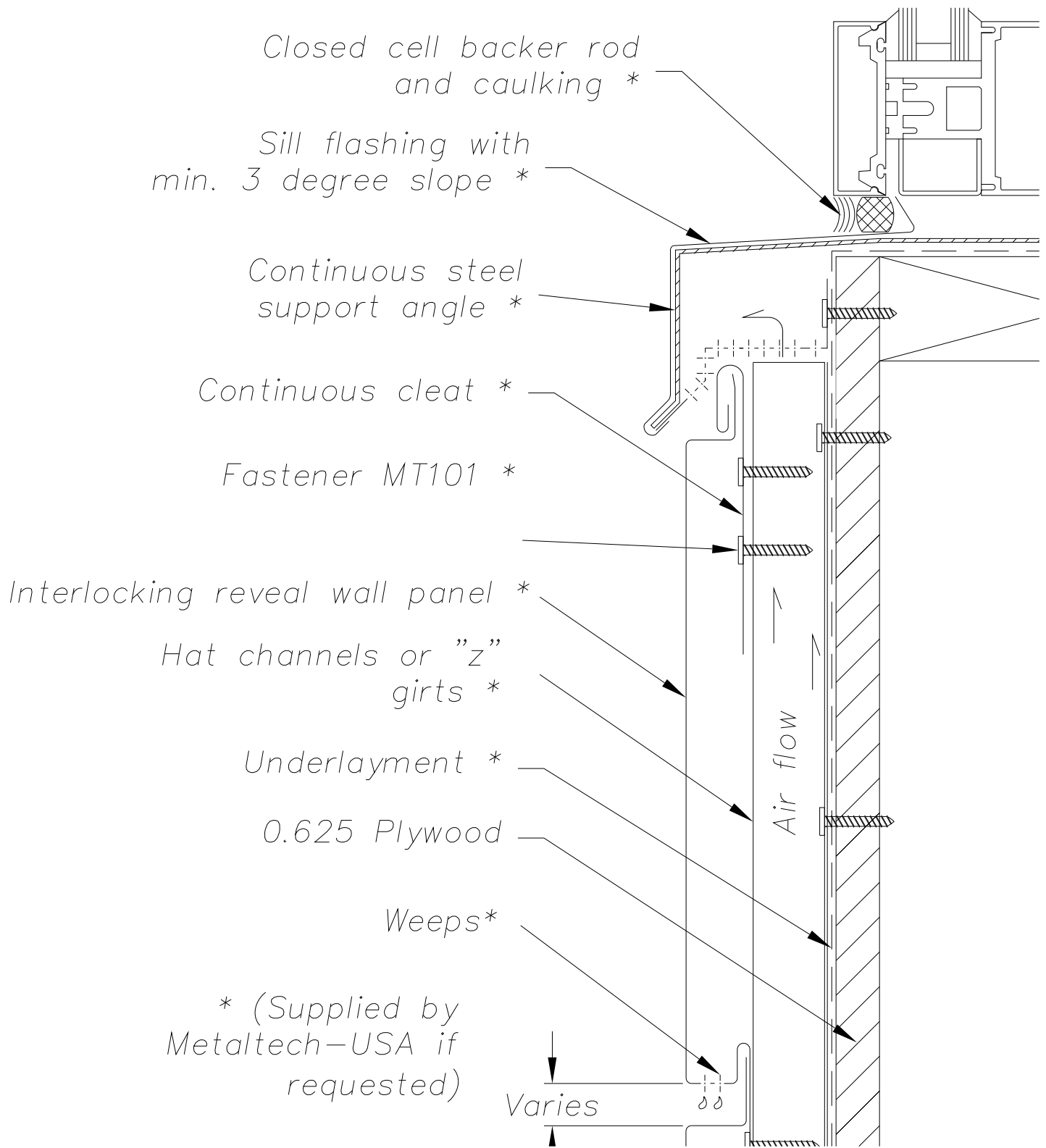
UNLESS OTHERWISE SPECIFIED DIMENSIONS ARE IN INCHES  MetalTech-USA Changing Ideas Into Sustainable Reality.™ 611 Highway 74 South Suite 900 Peachtree City, GA 30269 Phone: 770-486-8825 770-631-7689	DRAWING NAME: WALL TO SOFFIT TRANSITION		REVISION NO: A	DATED CREATED: 10/23/2014
	DWG NO: MT_IRWPH_1104		CHECKED BY: ESIMONSEN	APPROVED BY: ESIMONSEN
PROJECT NAME: TOP OF WALL DETAILS				
SCALE: NTS	SHEET NO: 4 OF 5	SIZE: A	TOLERANCES: ANGULAR ±1' LINEAR ±0.06	




* (Supplied by
Metaltech-USA if
requested)

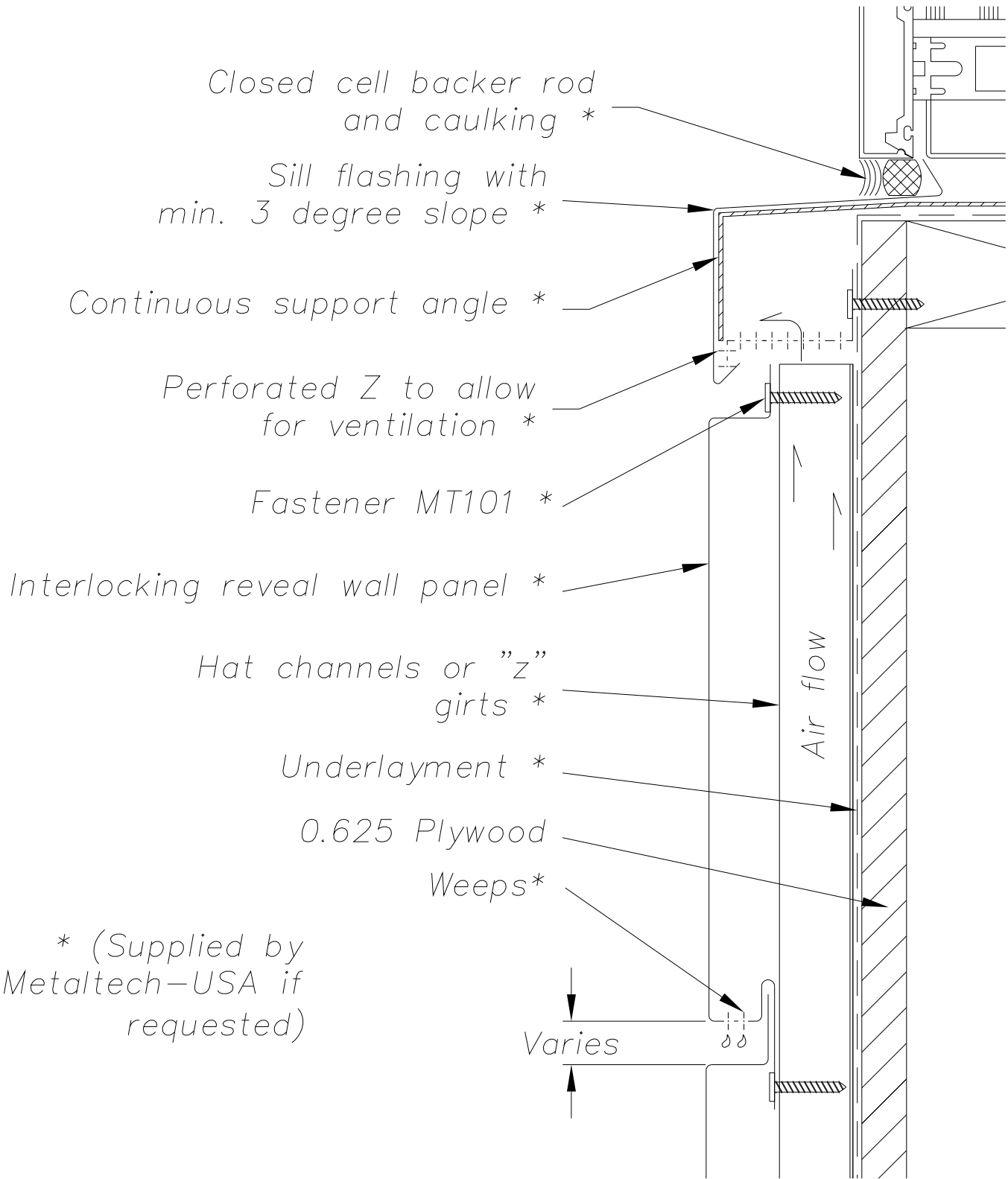
NOTE:
Information and details are only a baseline for system and installation. Modification to meet project requirement is the responsibility of the designer, architect and contractor. MetalTech-USA project staff are available to assist throughout the design and build process. © 2011 MetalTech-USA. All rights reserved.

UNLESS OTHERWISE SPECIFIED DIMENSIONS ARE IN INCHES	DRAWING NAME: SOFFIT TO FASCIA TRANSITION		REVISION NO: A	DATED CREATED: 10/28/2014	
	DWG NO: MT_IRWPH_1105		CHECKED BY: ESIMONSEN	APPROVED BY: ESIMONSEN	
 MetalTech-USA Changing Ideas Into Sustainable Reality.™ 611 Highway 74 South Suite 900 Peachtree City, GA 30269 Phone: 770-486-8825 770-631-7689	PROJECT NAME: TOP OF WALL DETAILS				
	SCALE: NTS	SHEET NO: 5 OF 5	SIZE: A	TOLERANCES: ANGULAR ±1° LINEAR ±0.06	




NOTE:
 Information and details are only a baseline for system and installation. Modification to meet project requirement is the responsibility of the designer, architect and contractor. MetalTech-USA project staff are available to assist throughout the design and build process. © 2011 MetalTech-USA. All rights reserved.

<p>UNLESS OTHERWISE SPECIFIED DIMENSIONS ARE IN INCHES</p>  <p>MetalTech-USA Changing Ideas Into Sustainable Reality.™</p> <p>611 Highway 74 South Suite 900 Peachtree City, GA 30269 Phone: 770-486-8825 770-631-7689</p>	<p>DRAWING NAME: SILL DETAIL - OPTION 1</p>		<p>REVISION NO: A</p>	<p>DATED CREATED: 10/24/2014</p>
	<p>DWG NO: MT_IRWPH_1201</p>		<p>CHECKED BY: ESIMONSEN</p>	<p>APPROVED BY: ESIMONSEN</p>
<p>PROJECT NAME: WINDOW DETAILS</p>				
<p>SCALE: NTS</p>	<p>SHEET NO: 1 OF 10</p>	<p>SIZE: A</p>	<p>TOLERANCES: ANGULAR ±1° LINEAR ±0.06</p>	



* (Supplied by Metaltech-USA if requested)

NOTE: Information and details are only a baseline for system and installation. Modification to meet project requirement is the responsibility of the designer, architect and contractor. MetalTech-USA project staff are available to assist throughout the design and build process. © 2011 MetalTech-USA. All rights reserved.

UNLESS OTHERWISE SPECIFIED DIMENSIONS ARE IN INCHES	DRAWING NAME: SILL DETAIL - OPTION 2	REVISION NO: A	DATED CREATED: 10/24/2014
 Changing Ideas Into Sustainable Reality.™ 611 Highway 74 South Suite 900 Peachtree City, GA 30269 Phone: 770-486-8825 770-631-7689	DWG NO: MT_IRWPH_1202	CHECKED BY: ESIMONSEN	APPROVED BY: ESIMONSEN
	PROJECT NAME: WINDOW DETAILS		
SCALE: NTS	SHEET NO: 2 OF 10	SIZE: A	TOLERANCES: ANGULAR ±1° LINEAR ±0.06

Closed cell backer rod and caulking *

Sill flashing with min. 3 degree slope *

Continuous vented steel support angle *

Interlocking reveal wall panel *

Hat channels or "z" girts *

Underlayment *

0.625 Plywood

Fastener MT101 *


Weeps*

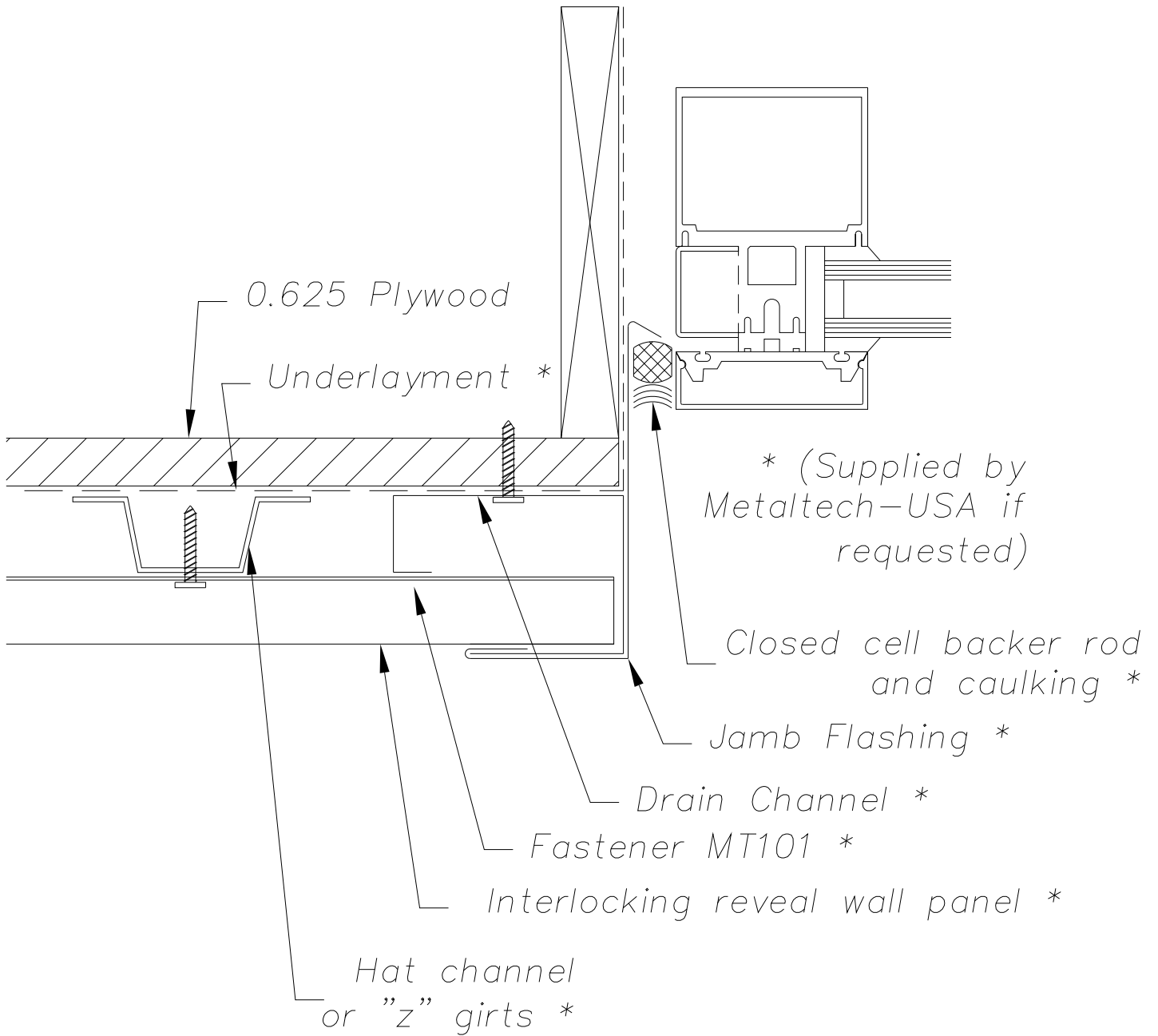
* (Supplied by Metaltech-USA if requested)

Varies

Air flow

NOTE: Information and details are only a baseline for system and installation. Modification to meet project requirement is the responsibility of the designer, architect and contractor. MetalTech-USA project staff are available to assist throughout the design and build process. © 2011 MetalTech-USA. All rights reserved.

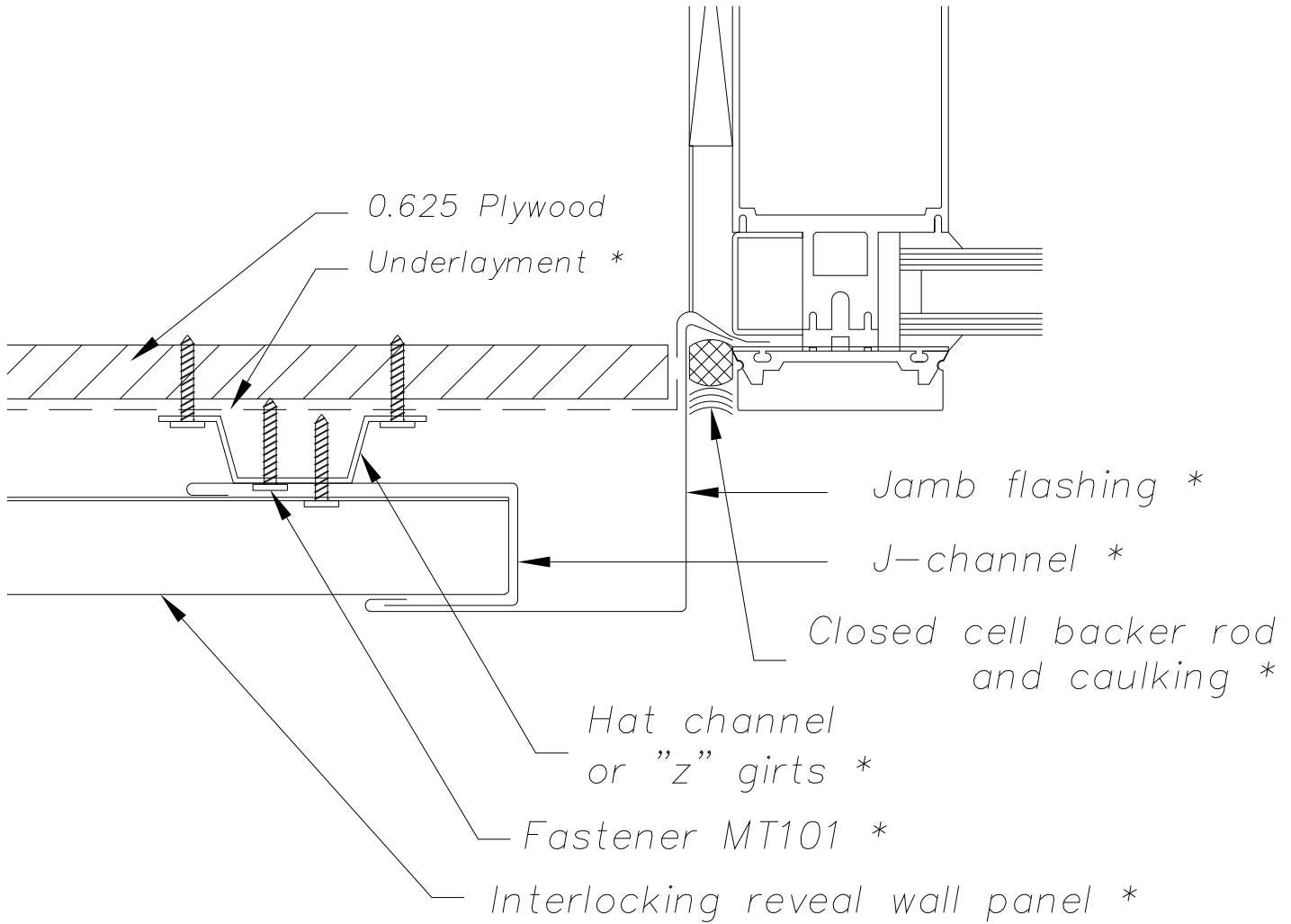
UNLESS OTHERWISE SPECIFIED DIMENSIONS ARE IN INCHES	DRAWING NAME: SILL DETAIL - OPTION 3	REVISION NO: A	DATED CREATED: 10/24/2014
 Changing Ideas Into Sustainable Reality.™ 611 Highway 74 South Suite 900 Peachtree City, GA 30269 Phone: 770-486-8825 770-631-7689	DWG NO: MT_IRWPH_1203	CHECKED BY: ESIMONSEN	APPROVED BY: ESIMONSEN
	PROJECT NAME: WINDOW DETAILS		
SCALE: NTS	SHEET NO: 3 OF 10	SIZE: A	TOLERANCES: ANGULAR ±1° LINEAR ±0.06



NOTE:
 Information and details are only a baseline for system and installation. Modification to meet project requirement is the responsibility of the designer, architect and contractor. MetalTech-USA project staff are available to assist throughout the design and build process. © 2011 MetalTech-USA. All rights reserved.

UNLESS OTHERWISE SPECIFIED DIMENSIONS ARE IN INCHES	DRAWING NAME: JAMB DETAIL - OPTION 1		REVISION NO: A	DATED CREATED: 10/24/2014
	DWG NO: MT_IRWPH_1204		CHECKED BY: ESIMONSEN	APPROVED BY: ESIMONSEN
PROJECT NAME: WINDOW DETAILS				
SCALE: NTS		SHEET NO: 4 OF 10	SIZE: A	TOLERANCES: ANGULAR ±1° LINEAR ±0.06

MetalTech-USA
 Changing Ideas Into Sustainable Reality.™
 611 Highway 74 South | Suite 900
 Peachtree City, GA 30269
 Phone: 770-486-8825 | 770-631-7689



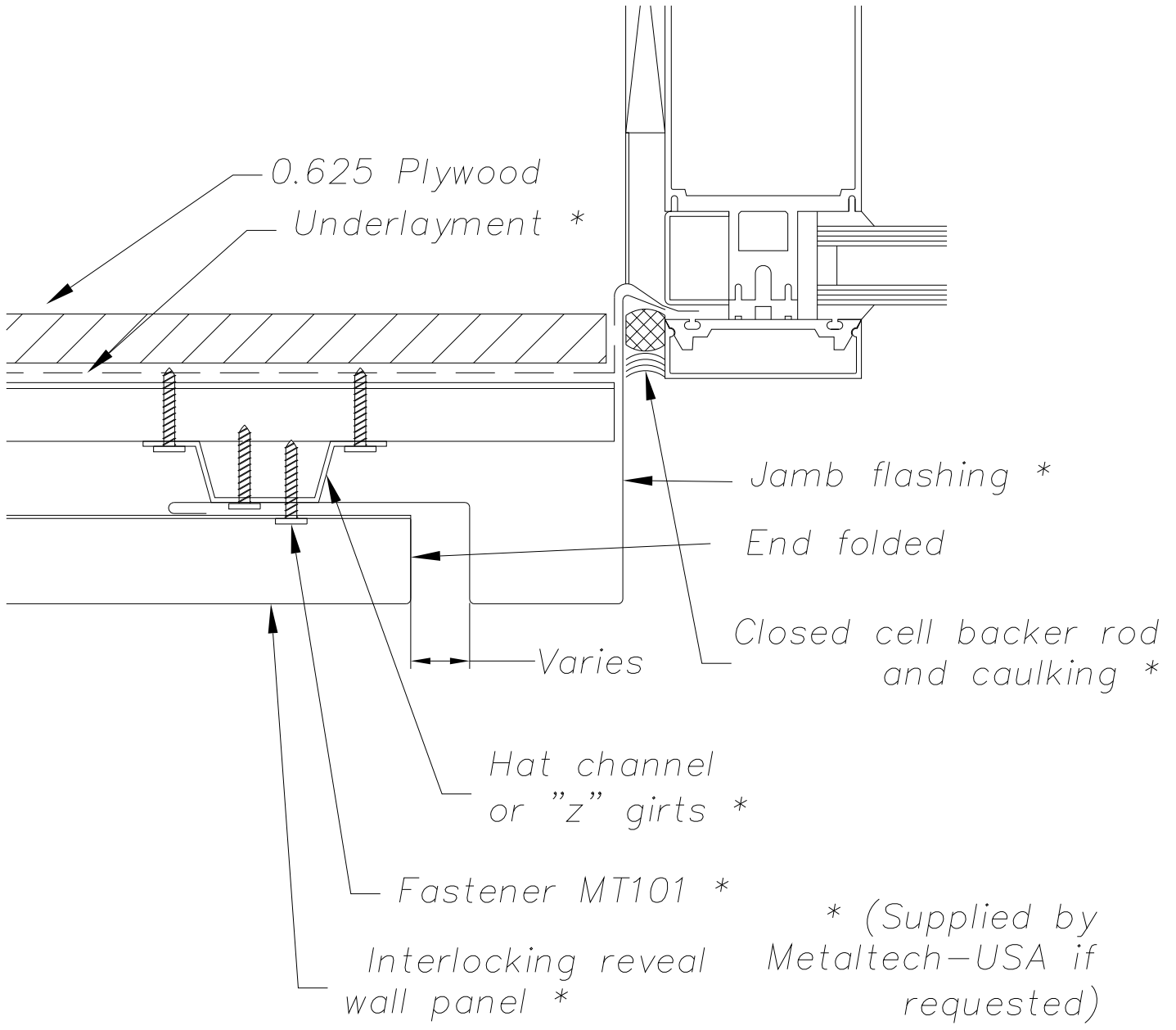
* (Supplied by
Metaltech-USA if
requested)

NOTE:
Information and details are only a baseline for system and installation. Modification to meet project requirement is the responsibility of the designer, architect and contractor. MetalTech-USA project staff are available to assist throughout the design and build process. © 2011 MetalTech-USA. All rights reserved.


<p>UNLESS OTHERWISE SPECIFIED DIMENSIONS ARE IN INCHES</p>	<p>DRAWING NAME: JAMB DETAIL - OPTION 2</p>		<p>REVISION NO: A</p>	<p>DATED CREATED: 10/24/2014</p>
	<p>DWG NO: MT_IRWPH_1205</p>		<p>CHECKED BY: ESIMONSEN</p>	<p>APPROVED BY: ESIMONSEN</p>
<p>PROJECT NAME: WINDOW DETAILS</p>				
<p>SCALE: NTS</p>		<p>SHEET NO: 5 OF 10</p>	<p>SIZE: A</p>	<p>TOLERANCES: ANGULAR ±1° LINEAR ±0.06</p>



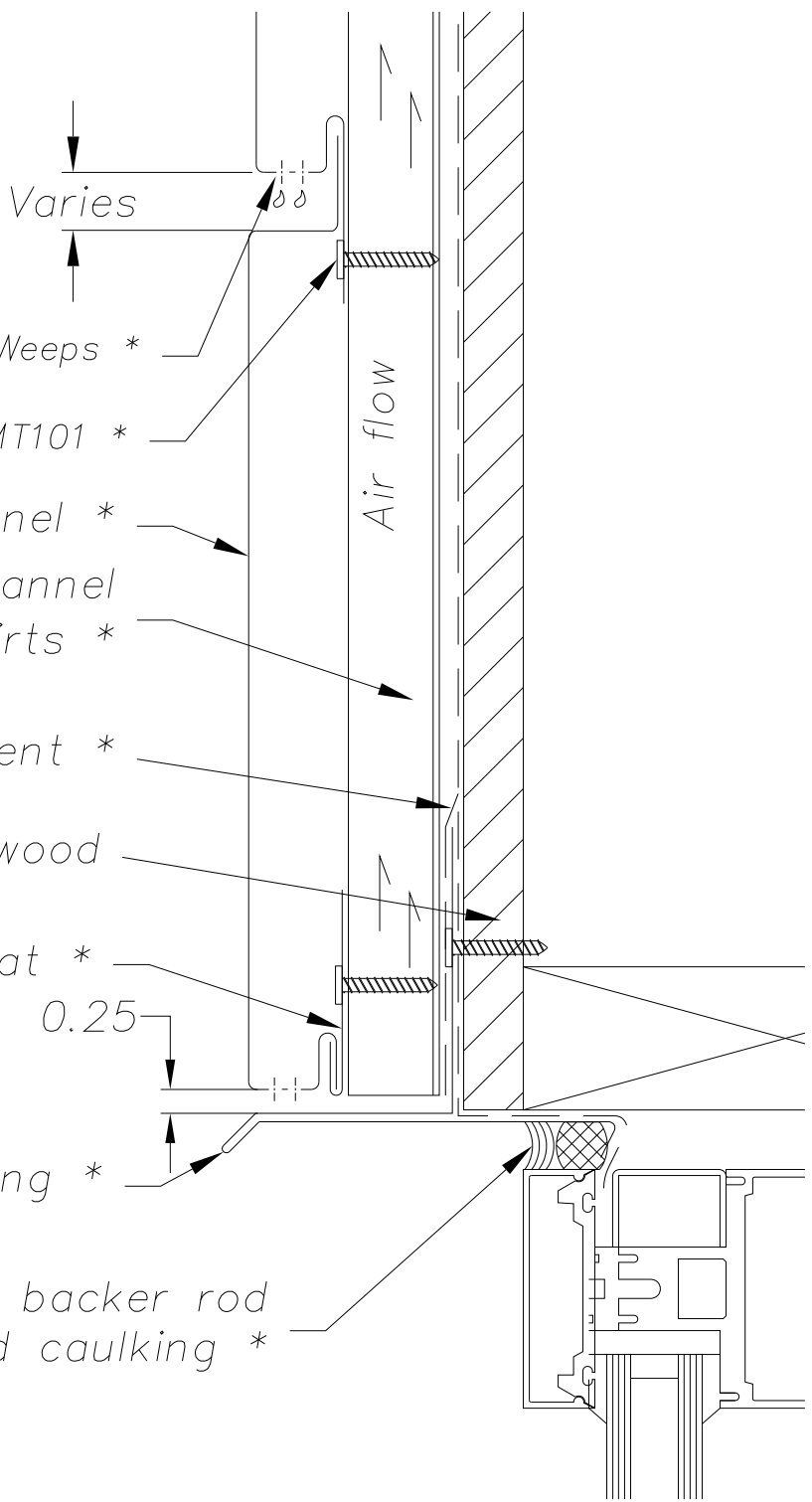
611 Highway 74 South | Suite 900
Peachtree City, GA 30269
Phone: 770-486-8825 | 770-631-7689



NOTE:
 Information and details are only a baseline for system and installation. Modification to meet project requirement is the responsibility of the designer, architect and contractor. MetalTech-USA project staff are available to assist throughout the design and build process. © 2011 MetalTech-USA. All rights reserved.

UNLESS OTHERWISE SPECIFIED DIMENSIONS ARE IN INCHES  MetalTech-USA Changing Ideas Into Sustainable Reality.™ 611 Highway 74 South Suite 900 Peachtree City, GA 30269 Phone: 770-486-8825 770-631-7689	DRAWING NAME: JAMB DETAIL - OPTION 3		REVISION NO: A	DATED CREATED: 10/24/2014
	DWG NO: MT_IRWPH_1206		CHECKED BY: ESIMONSEN	APPROVED BY: ESIMONSEN
PROJECT NAME: WINDOW DETAILS				
SCALE: NTS	SHEET NO: 6 OF 10	SIZE: A	TOLERANCES: ANGULAR ±1° LINEAR ±0.06	

* (Supplied by Metaltech-USA if requested)



Varies

Weeps *

Fastener MT101 *

Interlocking reveal wall panel *

Hat channel or "z" girts *

Underlayment *

0.625 Plywood

Head cleat *


0.25

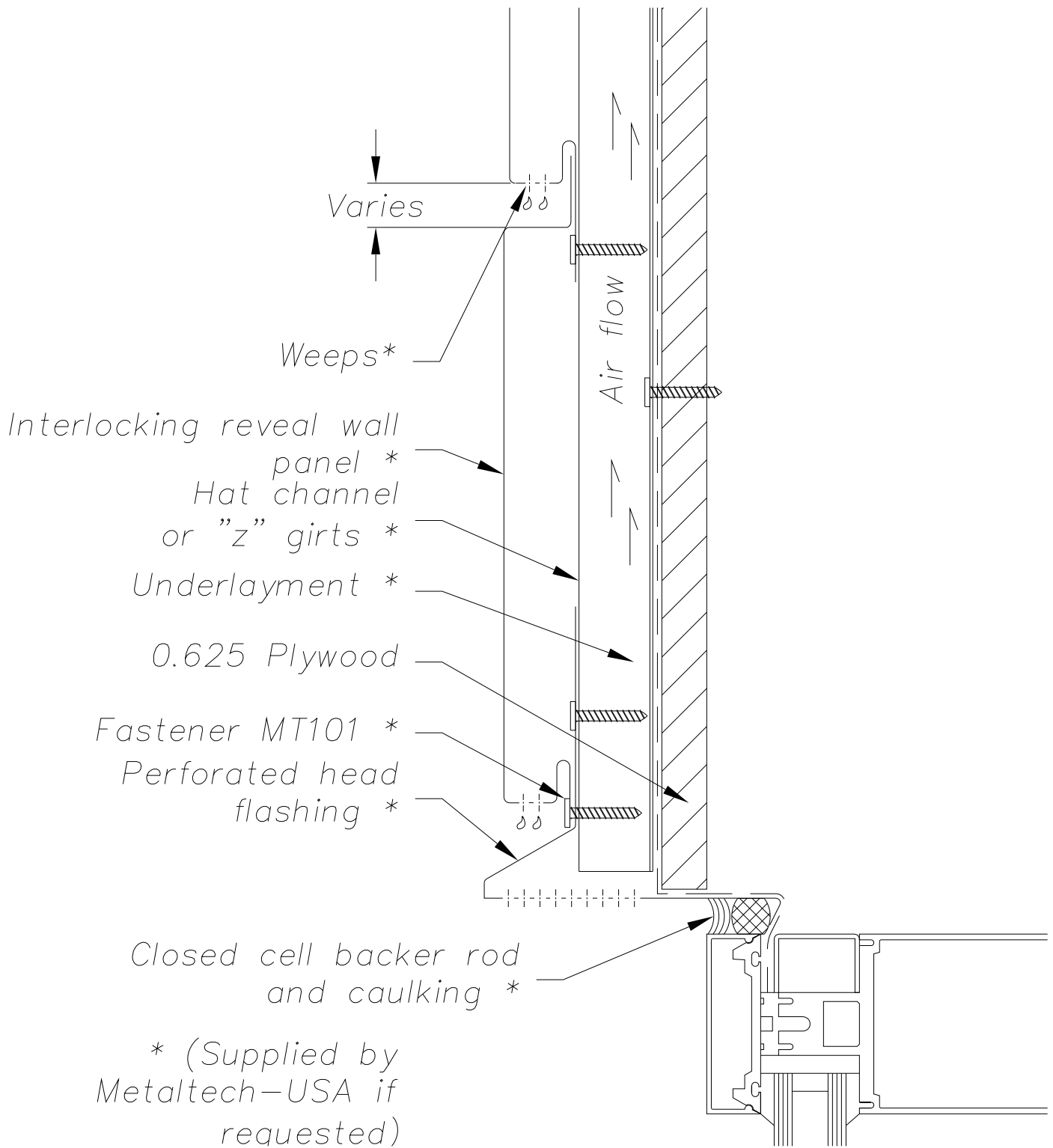
Head flashing *

Closed cell backer rod and caulking *


Air flow

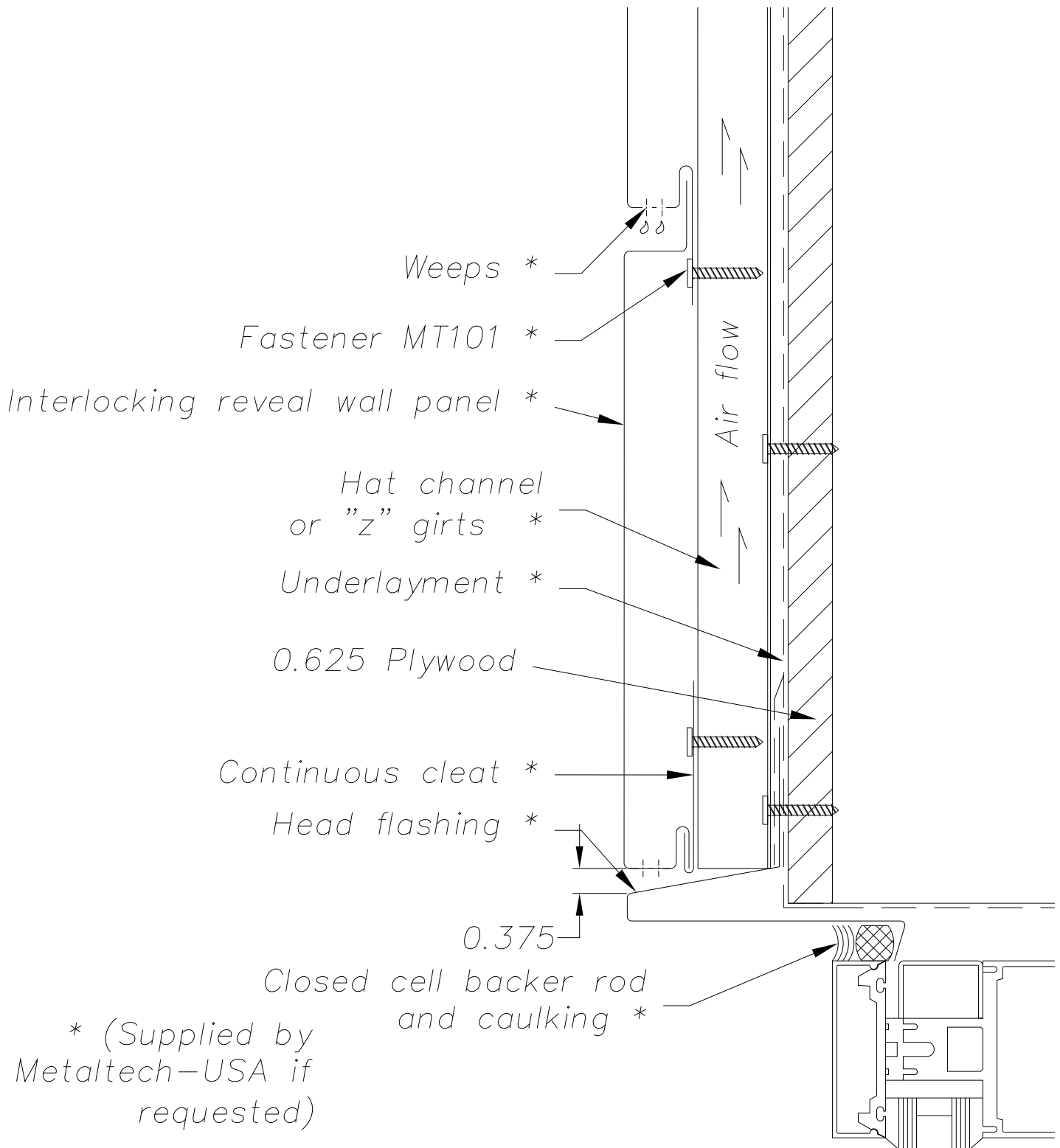
NOTE: Information and details are only a baseline for system and installation. Modification to meet project requirement is the responsibility of the designer, architect and contractor. MetalTech-USA project staff are available to assist throughout the design and build process. © 2011 MetalTech-USA. All rights reserved.

<p>UNLESS OTHERWISE SPECIFIED DIMENSIONS ARE IN INCHES</p>  <p>Changing Ideas Into Sustainable Reality.™</p> <p>611 Highway 74 South Suite 900 Peachtree City, GA 30269 Phone: 770-486-8825 770-631-7689</p>	<p>DRAWING NAME: HEAD DETAIL - OPTION 1</p>		<p>REVISION NO: A</p>	<p>DATED CREATED: 10/24/2014</p>
	<p>DWG NO: MT_IRWPH_1207</p>		<p>CHECKED BY: ESIMONSEN</p>	<p>APPROVED BY: ESIMONSEN</p>
<p>PROJECT NAME: WINDOW DETAILS</p>				
<p>SCALE: NTS</p>	<p>SHEET NO: 7 OF 10</p>	<p>SIZE: A</p>	<p>TOLERANCES: ANGULAR ±1° LINEAR ±0.06</p>	




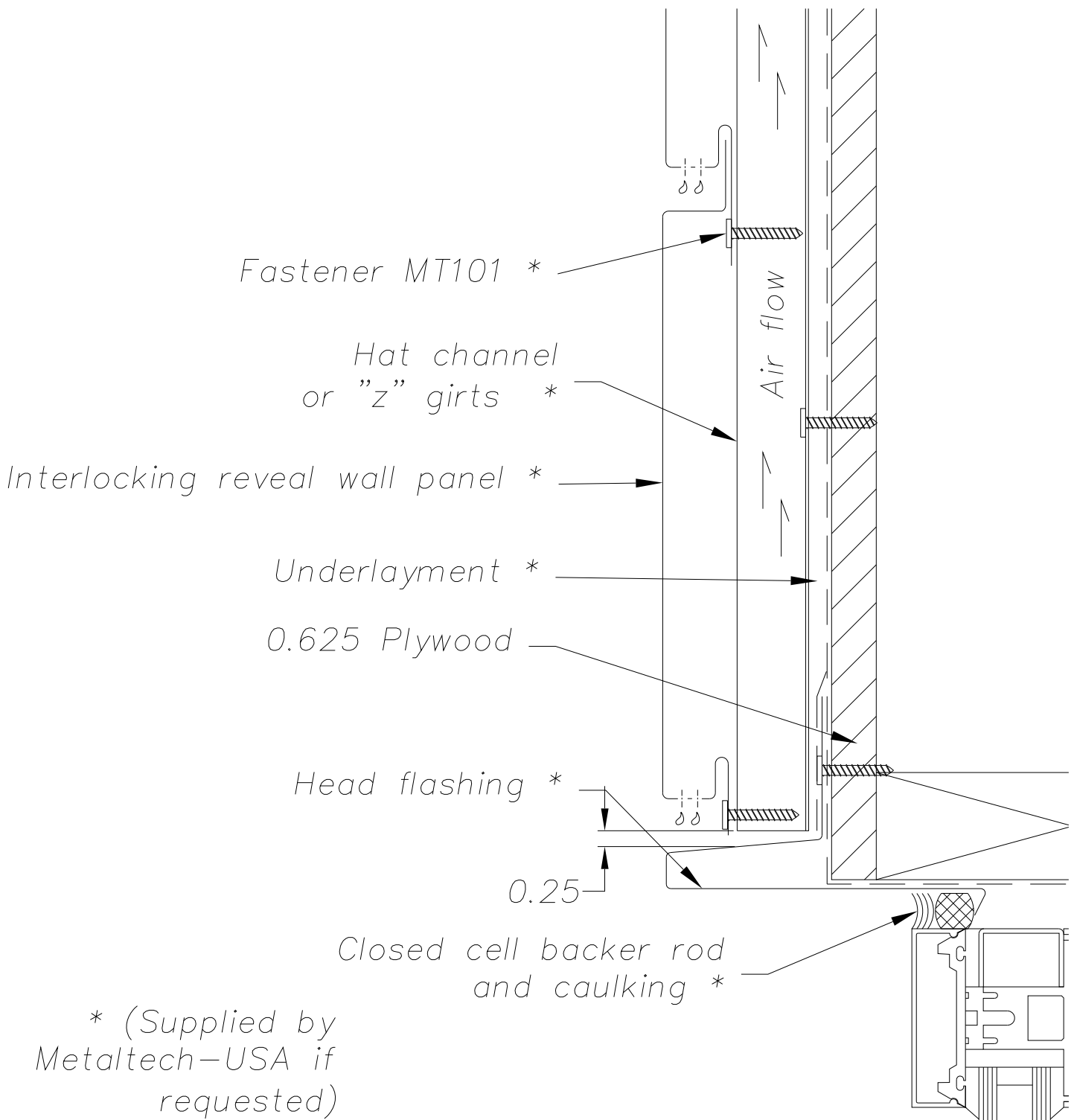
NOTE:
 Information and details are only a baseline for system and installation. Modification to meet project requirement is the responsibility of the designer, architect and contractor. MetalTech-USA project staff are available to assist throughout the design and build process. © 2011 MetalTech-USA. All rights reserved.

UNLESS OTHERWISE SPECIFIED DIMENSIONS ARE IN INCHES	DRAWING NAME: HEAD DETAIL - OPTION 2	REVISION NO: A	DATED CREATED: 10/27/2014
 Changing Ideas Into Sustainable Reality.™ 611 Highway 74 South Suite 900 Peachtree City, GA 30269 Phone: 770-486-8825 770-631-7689	DWG NO: MT_IRWPH_1208	CHECKED BY: ESIMONSEN	APPROVED BY: ESIMONSEN
	PROJECT NAME: WINDOW DETAILS		
SCALE: NTS	SHEET NO: 8 OF 10	SIZE: A	TOLERANCES: ANGULAR ±1° LINEAR ±0.06



NOTE:
Information and details are only a baseline for system and installation. Modification to meet project requirement is the responsibility of the designer, architect and contractor. MetalTech-USA project staff are available to assist throughout the design and build process. © 2011 MetalTech-USA. All rights reserved.

UNLESS OTHERWISE SPECIFIED DIMENSIONS ARE IN INCHES	DRAWING NAME: HEAD DETAIL - OPTION 3	REVISION NO: A	DATED CREATED: 10/27/2014
 MetalTech-USA Changing Ideas Into Sustainable Reality.™	DWG NO: MT_IRWPH_1209	CHECKED BY: ESIMONSEN	APPROVED BY: ESIMONSEN
	PROJECT NAME: WINDOW DETAILS		
611 Highway 74 South Suite 900 Peachtree City, GA 30269 Phone: 770-486-8825 770-631-7689	SCALE: NTS	SHEET NO: 9 OF 10	SIZE: A TOLERANCES: ANGULAR ±1° LINEAR ±0.06



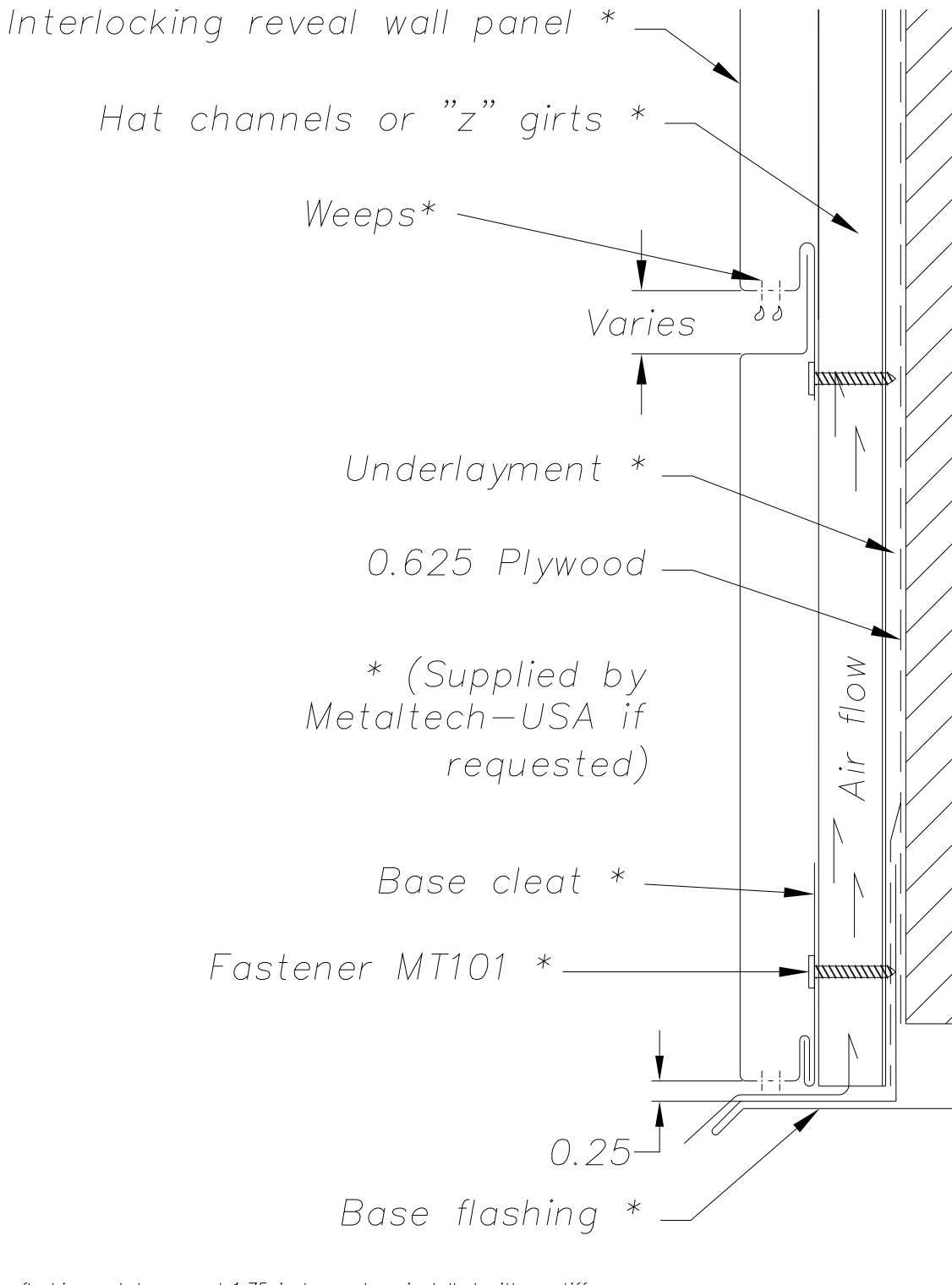
NOTE:
 Information and details are only a baseline for system and installation. Modification to meet project requirement is the responsibility of the designer, architect and contractor. MetalTech-USA project staff are available to assist throughout the design and build process. © 2011 MetalTech-USA. All rights reserved.

UNLESS OTHERWISE SPECIFIED DIMENSIONS ARE IN INCHES	DRAWING NAME: HEAD DETAIL - OPTION 4		REVISION NO: A	DATED CREATED: 10/27/2014
	DWG NO: MT_IRWPH_1210		CHECKED BY: ESIMONSEN	APPROVED BY: ESIMONSEN
PROJECT NAME: WINDOW DETAILS				
SCALE: NTS		SHEET NO: 10 OF 10	SIZE: A	TOLERANCES: ANGULAR ±1' LINEAR ±0.06




Changing Ideas Into Sustainable Reality.™

611 Highway 74 South | Suite 900
 Peachtree City, GA 30269
 Phone: 770-486-8825 | 770-631-7689



NOTE: Base flashing not to exceed 1.75 inches unless installed with a stiffener

NOTE: Information and details are only a baseline for system and installation. Modification to meet project requirement is the responsibility of the designer, architect and contractor. MetalTech-USA project staff are available to assist throughout the design and build process. © 2011 MetalTech-USA. All rights reserved.

UNLESS OTHERWISE SPECIFIED DIMENSIONS ARE IN INCHES	DRAWING NAME: BASE DETAIL - OPTION 1	REVISION NO: A	DATED CREATED: 10/27/2014
 Changing Ideas Into Sustainable Reality.™ 611 Highway 74 South Suite 900 Peachtree City, GA 30269 Phone: 770-486-8825 770-631-7689	DWG NO: MT_IRWPH_1301	CHECKED BY: ESIMONSEN	APPROVED BY: ESIMONSEN
	PROJECT NAME: BOTTOM OF WALL DETAILS		
SCALE: NTS	SHEET NO: 1 OF 2	SIZE: A	TOLERANCES: ANGULAR ±1° LINEAR ±0.06

Interlocking reveal wall panel *

Hat channels or "z" girts *

Varies

Underlayment *

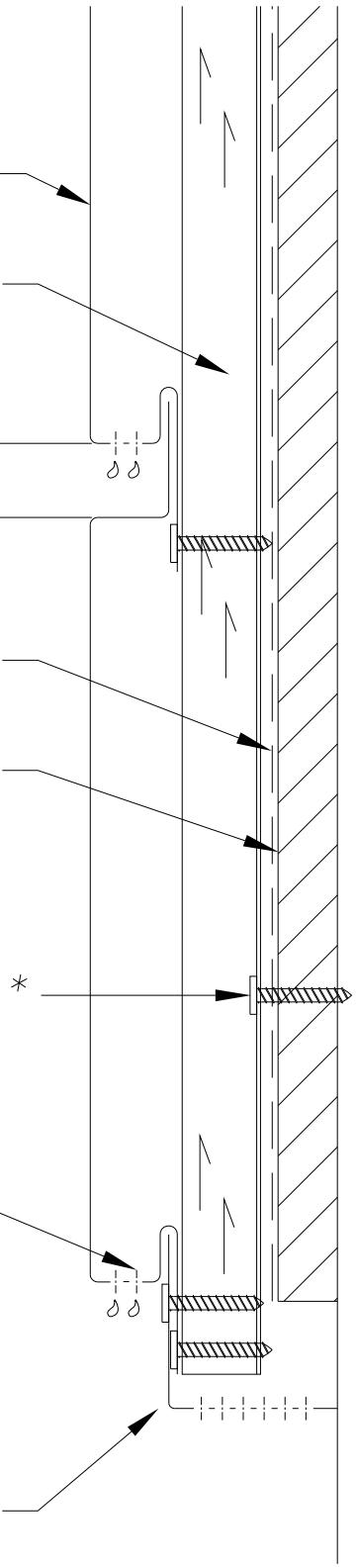
0.625 Plywood

* (Supplied by Metaltech-USA if requested)

Fastener MT101 *

Weeps*

Perforated base flashing *



NOTE: Information and details are only a baseline for system and installation. Modification to meet project requirement is the responsibility of the designer, architect and contractor. MetalTech-USA project staff are available to assist throughout the design and build process. © 2011 MetalTech-USA. All rights reserved.

UNLESS OTHERWISE SPECIFIED DIMENSIONS ARE IN INCHES

DRAWING NAME:
BASE DETAIL - OPTION 2

REVISION NO:
A

DATED CREATED:
10/27/2014



611 Highway 74 South | Suite 900
Peachtree City, GA 30269
Phone: 770-486-8825 | 770-631-7689

DWG NO:
MT_IRWPH_1302

CHECKED BY:
ESIMONSEN

APPROVED BY:
ESIMONSEN

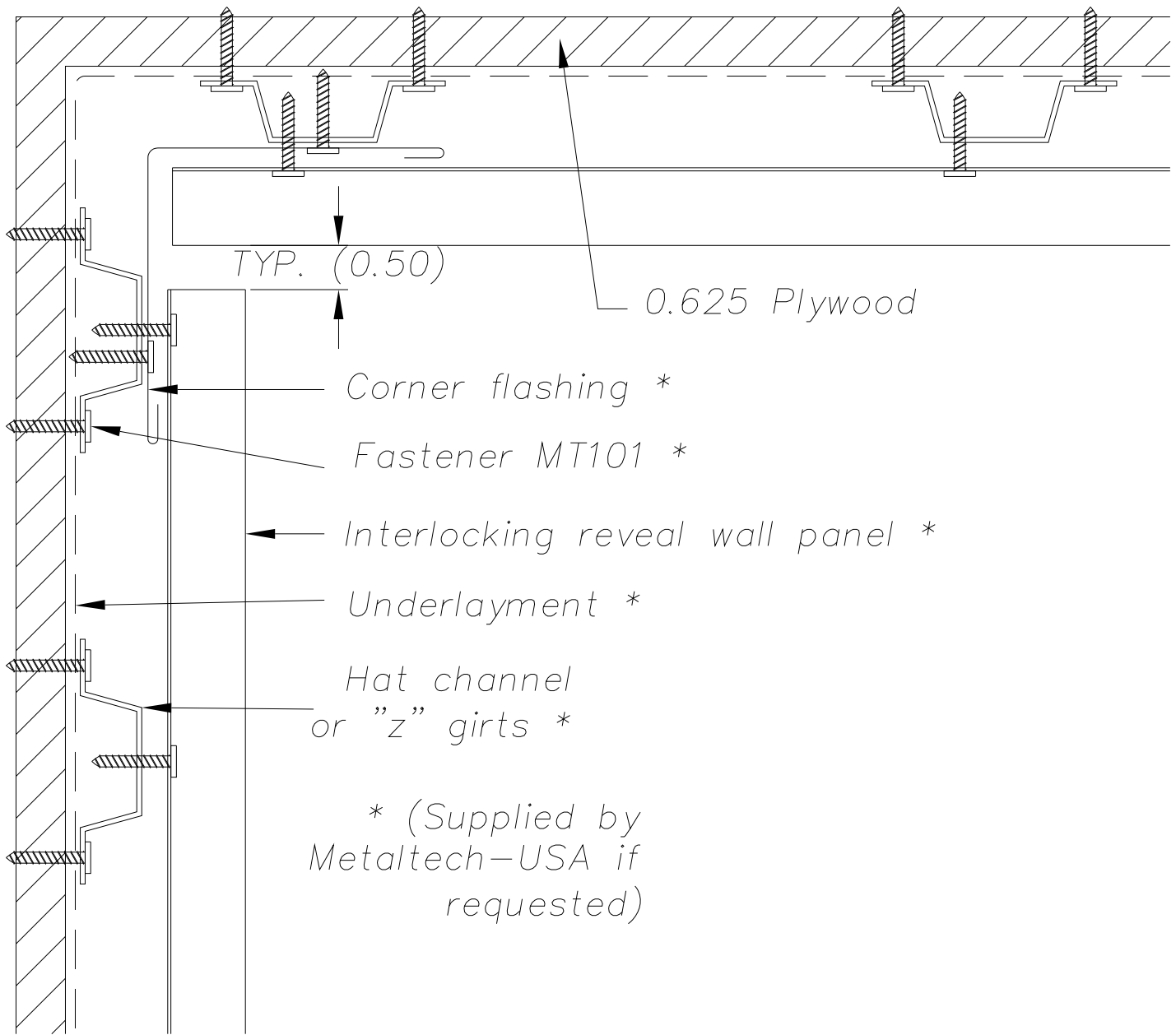
PROJECT NAME:
BOTTOM OF WALL DETAILS

SCALE:
NTS


SHEET NO:
2 OF 2

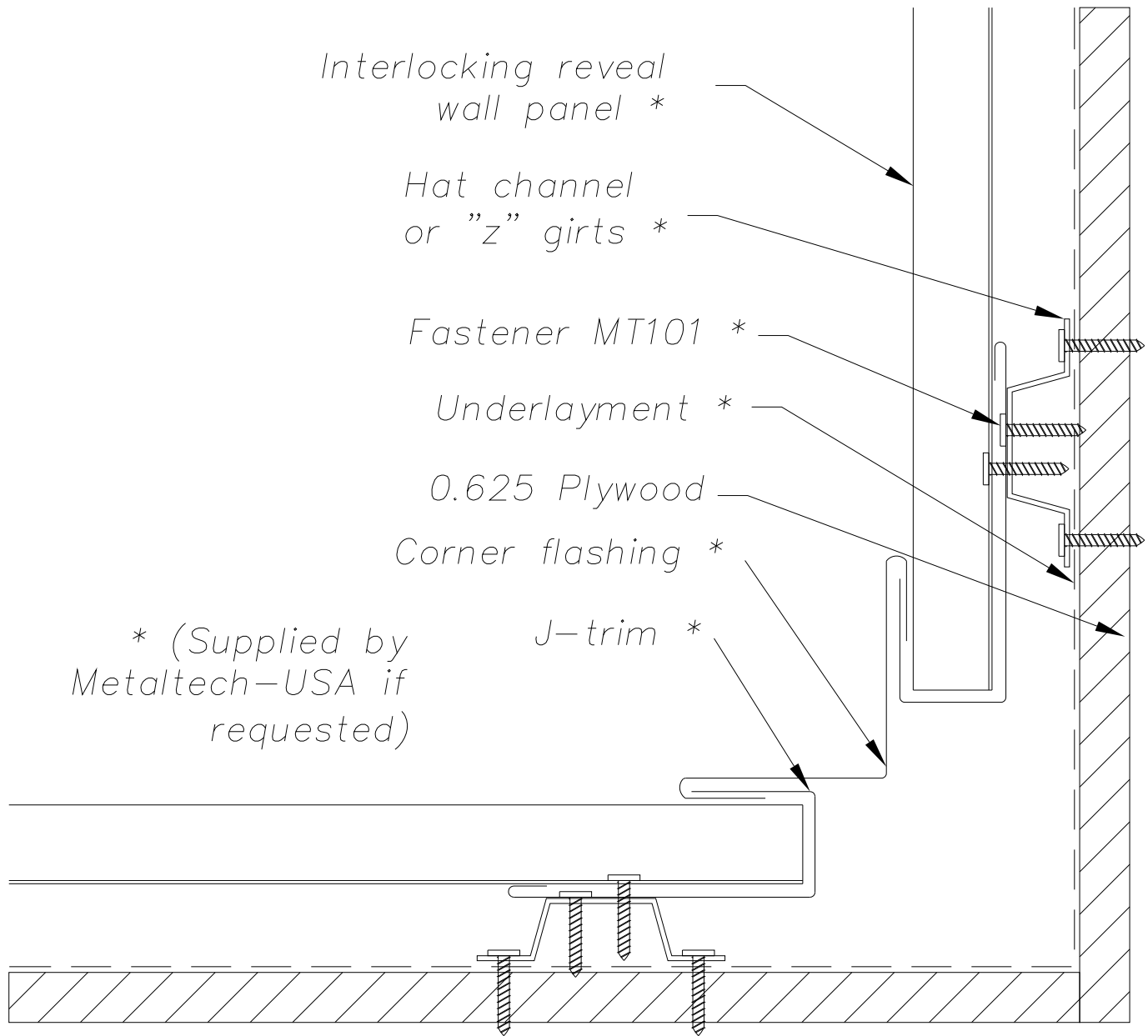
SIZE:
A

TOLERANCES:
ANGULAR ±1° LINEAR ±0.06



NOTE:
 Information and details are only a baseline for system and installation. Modification to meet project requirement is the responsibility of the designer, architect and contractor. MetalTech-USA project staff are available to assist throughout the design and build process. © 2011 MetalTech-USA. All rights reserved.

UNLESS OTHERWISE SPECIFIED DIMENSIONS ARE IN INCHES	DRAWING NAME: INTERIOR CORNER - OPTION 1	REVISION NO: A	DATED CREATED: 10/27/2014
 Changing Ideas Into Sustainable Reality.™ 611 Highway 74 South Suite 900 Peachtree City, GA 30269 Phone: 770-486-8825 770-631-7689	DWG NO: MT_IRWPH_1401	CHECKED BY: ESIMONSEN	APPROVED BY: ESIMONSEN
	PROJECT NAME: INTERIOR DETAILS		
SCALE: NTS	SHEET NO: 1 OF 3	SIZE: A	TOLERANCES: ANGULAR ±1' LINEAR ±0.06



NOTE:
 Information and details are only a baseline for system and installation. Modification to meet project requirement is the responsibility of the designer, architect and contractor. MetalTech-USA project staff are available to assist throughout the design and build process. © 2011 MetalTech-USA. All rights reserved.

UNLESS OTHERWISE SPECIFIED DIMENSIONS ARE IN INCHES	DRAWING NAME: INTERIOR CORNER - OPTION 2		REVISION NO: A	DATED CREATED: 10/27/2014
	DWG NO: MT_IRWPH_1402		CHECKED BY: ESIMONSEN	APPROVED BY: ESIMONSEN
PROJECT NAME: INTERIOR DETAILS				
SCALE: NTS		SHEET NO: 2 OF 3	SIZE: A	TOLERANCES: ANGULAR ±1° LINEAR ±0.06



Changing Ideas Into Sustainable Reality.™

611 Highway 74 South | Suite 900
 Peachtree City, GA 30269
 Phone: 770-486-8825 | 770-631-7689

Interlocking
reveal wall panel *

Hat channel
or "z" girts *

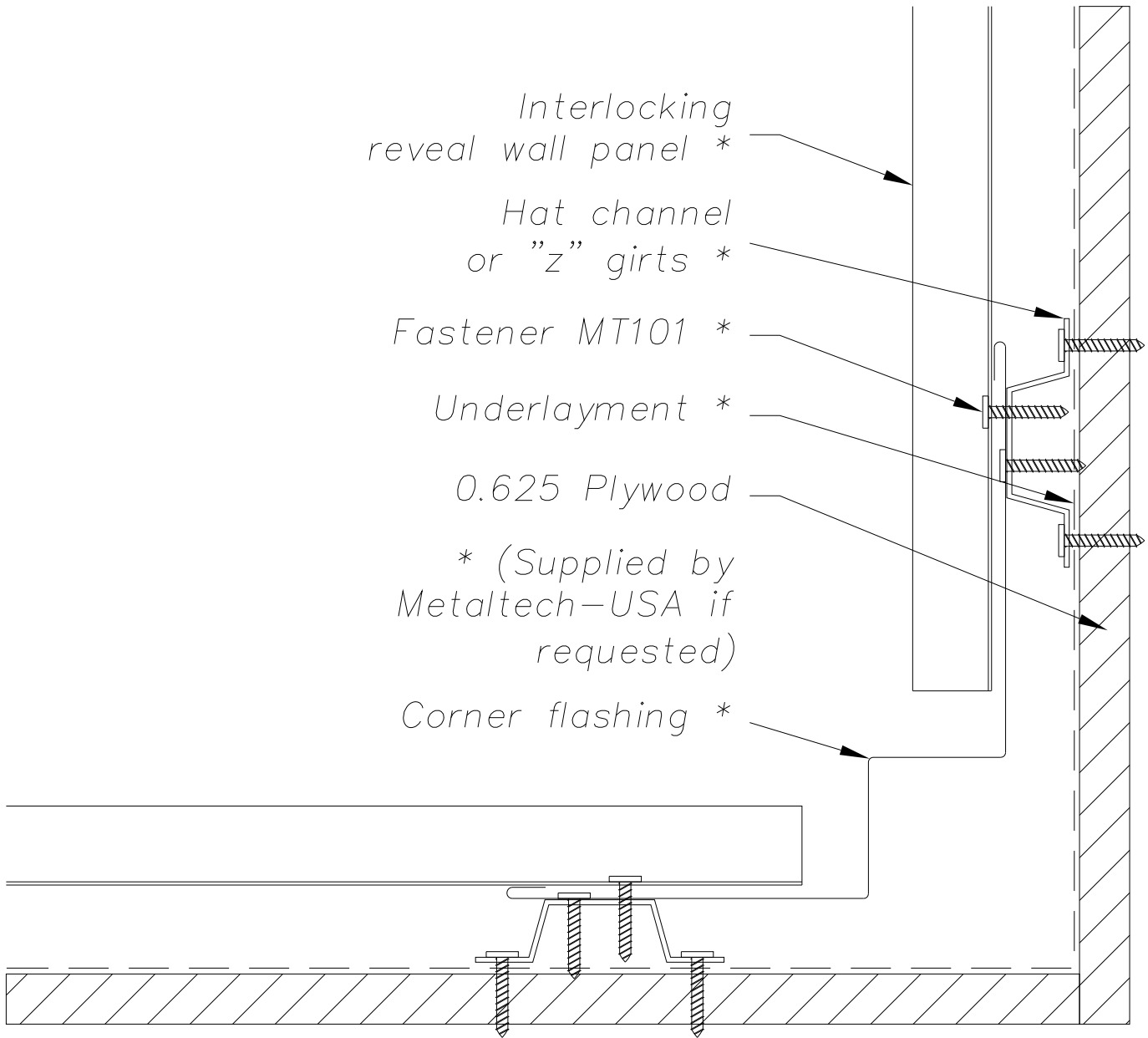
Fastener MT101 *

Underlayment *

0.625 Plywood

* (Supplied by
Metaltech-USA if
requested)

Corner flashing *



NOTE:
Information and details are only a baseline for system and installation. Modification to meet project requirement is the responsibility of the designer, architect and contractor. MetalTech-USA project staff are available to assist throughout the design and build process. © 2011 MetalTech-USA. All rights reserved.

UNLESS OTHERWISE SPECIFIED
DIMENSIONS ARE IN INCHES

DRAWING NAME:
INTERIOR CORNER - OPTION 3

REVISION NO:
A

DATED CREATED:
10/27/2014



611 Highway 74 South | Suite 900
Peachtree City, GA 30269
Phone: 770-486-8825 | 770-631-7689

DWG NO:
MT_IRWPH_1403

CHECKED BY:
ESIMONSEN

APPROVED BY:
ESIMONSEN

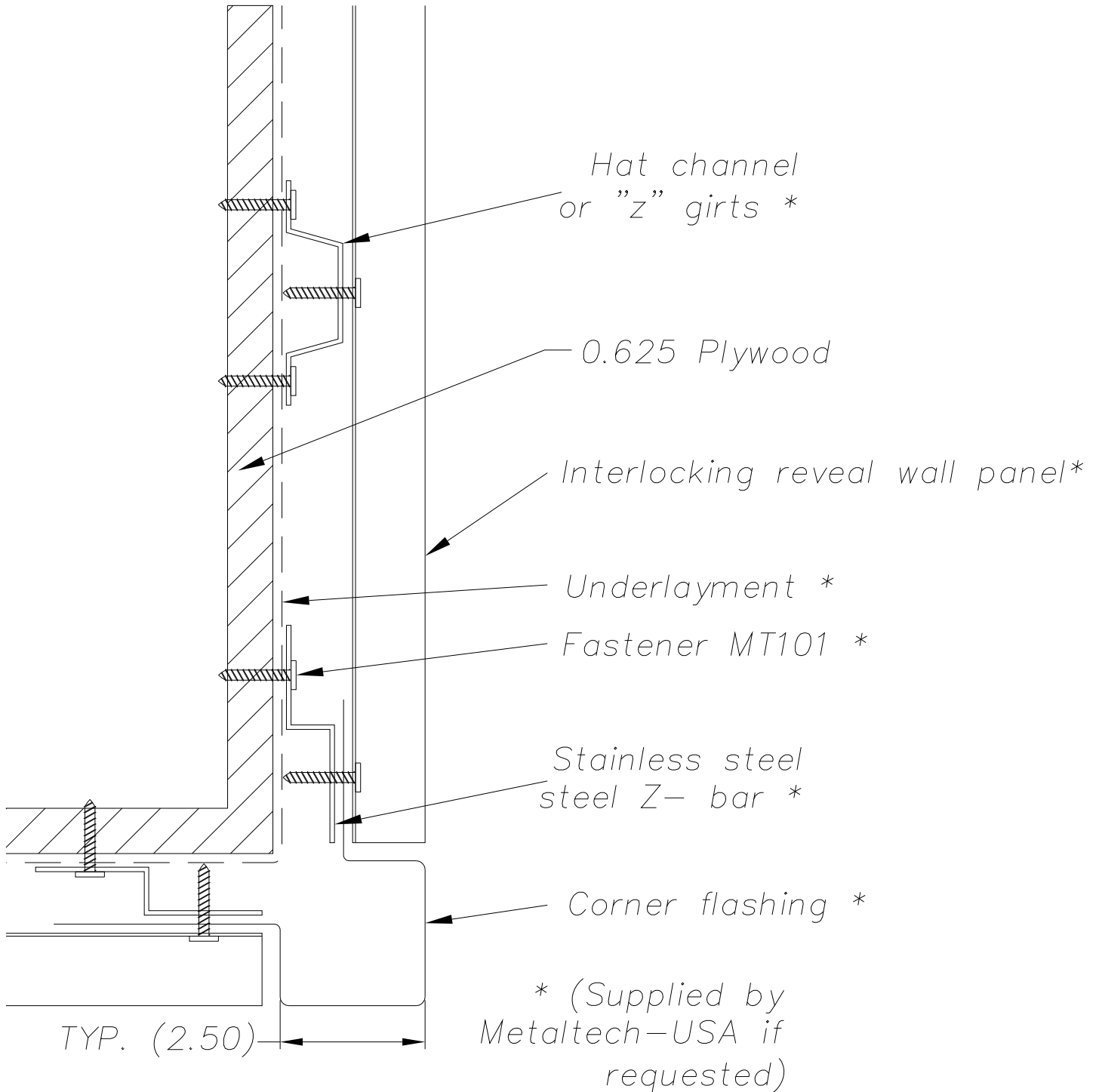
PROJECT NAME:
INTERIOR DETAILS

SCALE:
NTS


SHEET NO:
3 OF 3

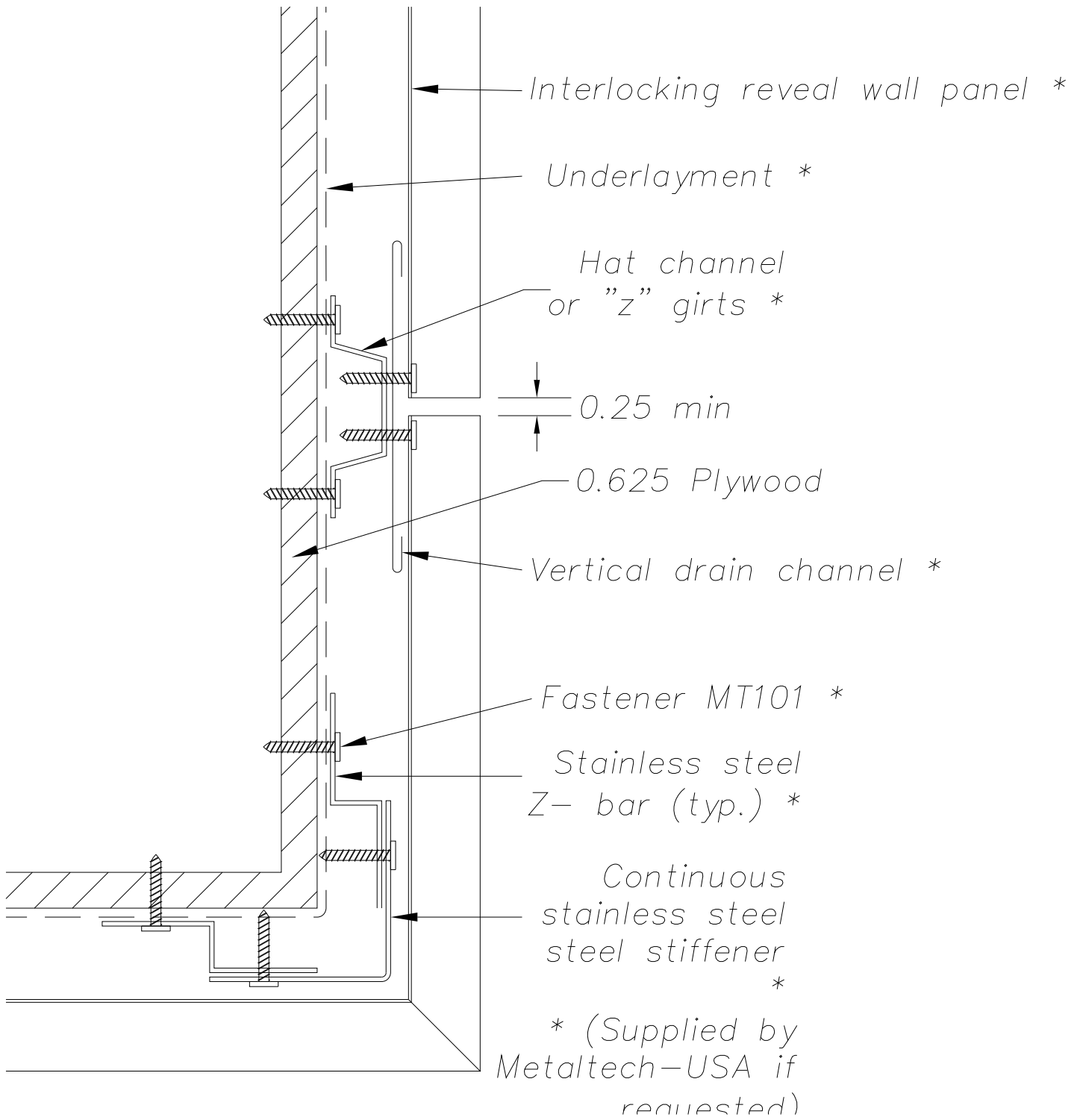
SIZE:
A

TOLERANCES:
ANGULAR $\pm 1'$ LINEAR ± 0.06




NOTE:
Information and details are only a baseline for system and installation. Modification to meet project requirement is the responsibility of the designer, architect and contractor. MetalTech-USA project staff are available to assist throughout the design and build process. © 2011 MetalTech-USA. All rights reserved.

UNLESS OTHERWISE SPECIFIED DIMENSIONS ARE IN INCHES	DRAWING NAME: EXTERIOR CORNER - OPTION 1	REVISION NO: A	DATED CREATED: 10/28/2014
 MetalTech-USA Changing Ideas Into Sustainable Reality.™ 611 Highway 74 South Suite 900 Peachtree City, GA 30269 Phone: 770-486-8825 770-631-7689	DWG NO: MT_IRWPH_1501	CHECKED BY: ESIMONSEN	APPROVED BY: ESIMONSEN
	PROJECT NAME: EXTERIOR DETAILS		
	SCALE: NTS	SHEET NO: 1 OF 4	SIZE: A TOLERANCES: ANGULAR ±1° LINEAR ±0.06



NOTE:
Information and details are only a baseline for system and installation. Modification to meet project requirement is the responsibility of the designer, architect and contractor. MetalTech-USA project staff are available to assist throughout the design and build process. © 2011 MetalTech-USA. All rights reserved.

UNLESS OTHERWISE SPECIFIED DIMENSIONS ARE IN INCHES	DRAWING NAME: EXTERIOR CORNER - OPTION 2	REVISION NO: A	DATED CREATED: 10/28/2014
 Changing Ideas Into Sustainable Reality.™ 611 Highway 74 South Suite 900 Peachtree City, GA 30269 Phone: 770-486-8825 770-631-7689	DWG NO: MT_IRWPH_1502	CHECKED BY: ESIMONSEN	APPROVED BY: ESIMONSEN
	PROJECT NAME: EXTERIOR DETAILS		
SCALE: NTS	SHEET NO: 2 OF 4	SIZE: A	TOLERANCES: ANGULAR ±1° LINEAR ±0.06

Interlocking reveal
wall panel *

Hat channel
or "z" girts *

Fastener MT101 *

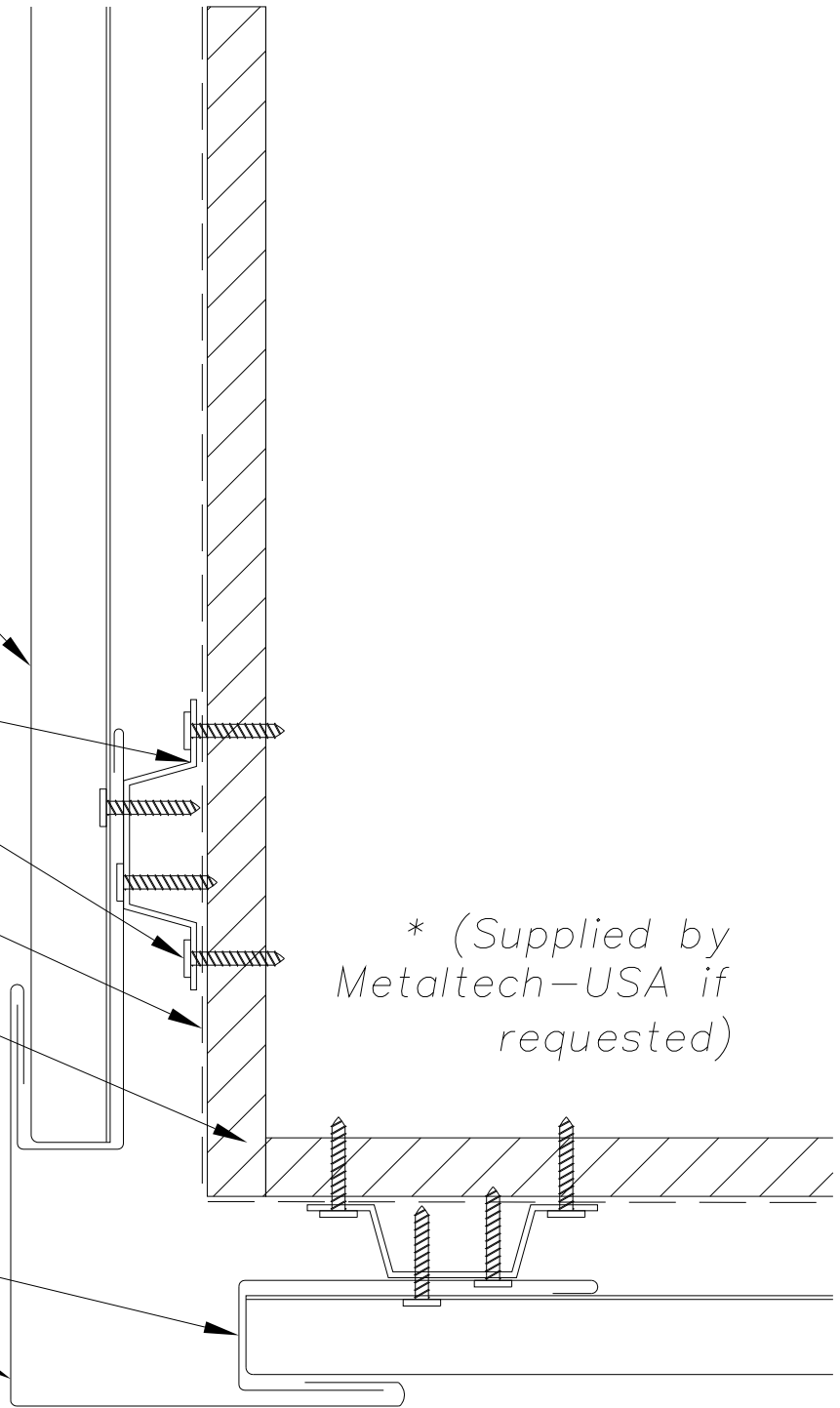
Underlayment *

0.625 Plywood

* (Supplied by
Metaltech-USA if
requested)

J-Channel *

Corner flashing *



NOTE:
Information and details are only a baseline for system and installation. Modification to meet project requirement is the responsibility of the designer, architect and contractor. MetalTech-USA project staff are available to assist throughout the design and build process. © 2011 MetalTech-USA. All rights reserved.

UNLESS OTHERWISE SPECIFIED
DIMENSIONS ARE IN INCHES

DRAWING NAME:
EXTERIOR CORNER - OPTION 3

REVISION NO:
A

DATED CREATED:
10/28/2014



611 Highway 74 South | Suite 900
Peachtree City, GA 30269
Phone: 770-486-8825 | 770-631-7689

DWG NO:
MT_IRWPH_1503

CHECKED BY:
ESIMONSEN

APPROVED BY:
ESIMONSEN

PROJECT NAME:
EXTERIOR DETAILS

SCALE:
NTS

SHEET NO:
3 OF 4

SIZE:
A

TOLERANCES:
ANGULAR ±1° LINEAR ±0.06

* (Supplied by
Metaltech-USA if
requested)

Interlocking reveal wall panel *

Underlayment *

0.625 Plywood

Fastener MT101 *

Corner flashing *

NOTE:

Information and details are only a baseline for system and installation. Modification to meet project requirement is the responsibility of the designer, architect and contractor. MetalTech-USA project staff are available to assist throughout the design and build process. © 2011 MetalTech-USA. All rights reserved.

UNLESS OTHERWISE SPECIFIED
DIMENSIONS ARE IN INCHES

DRAWING NAME:
EXTERIOR CORNER - OPTION 4

REVISION NO:
A

DATED CREATED:
10/28/2014



Changing Ideas Into Sustainable Reality.™

611 Highway 74 South | Suite 900
Peachtree City, GA 30269
Phone: 770-486-8825 | 770-631-7689

DWG NO:
MT_IRWPH_1504

CHECKED BY:
ESIMONSEN

APPROVED BY:
ESIMONSEN

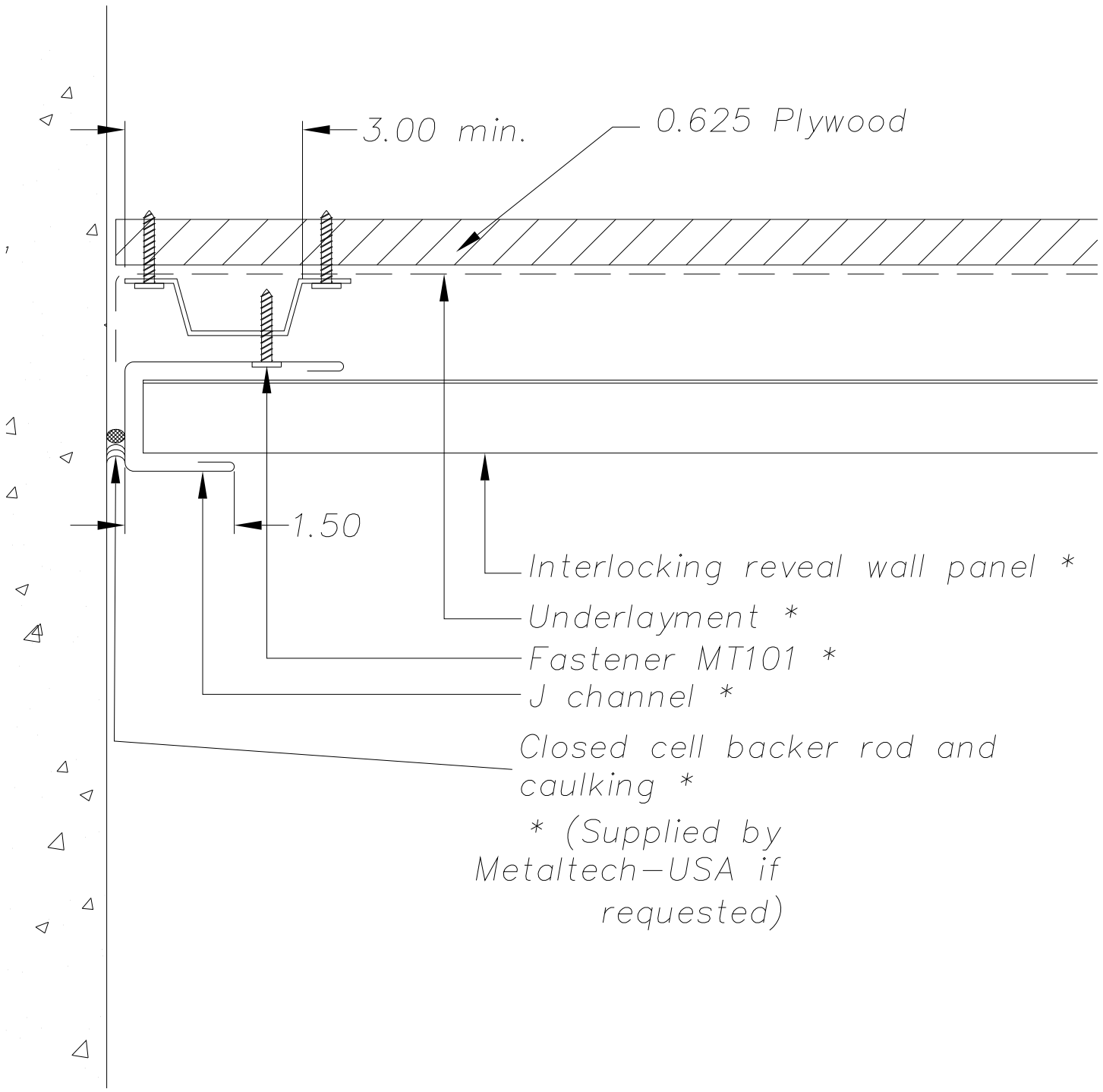
PROJECT NAME:
EXTERIOR DETAILS

SCALE:
NTS

SHEET NO:
4 OF 4


SIZE:
A

TOLERANCES:
ANGULAR ±1° LINEAR ±0.06



0.625 Plywood
 3.00 min.
 1.50
 Interlocking reveal wall panel *
 Underlayment *
 Fastener MT101 *
 J channel *
 Closed cell backer rod and caulking *
 * (Supplied by Metaltech-USA if requested)

NOTE:
 Information and details are only a baseline for system and installation. Modification to meet project requirement is the responsibility of the designer, architect and contractor. MetalTech-USA project staff are available to assist throughout the design and build process. © 2011 MetalTech-USA. All rights reserved.

UNLESS OTHERWISE SPECIFIED DIMENSIONS ARE IN INCHES	DRAWING NAME: END OF WALL DETAIL	REVISION NO: A	DATED CREATED: 10/28/2014
 Changing Ideas Into Sustainable Reality.™	DWG NO: MT_IRWPH_1601	CHECKED BY: ESIMONSEN	APPROVED BY: ESIMONSEN
611 Highway 74 South Suite 900 Peachtree City, GA 30269 Phone: 770-486-8825 770-631-7689	PROJECT NAME: END OF WALL DETAILS	SCALE: NTS	SHEET NO: 1 OF 1
		SIZE: A	TOLERANCES: ANGULAR ±1° LINEAR ±0.06