

# Flatlock Roof Panels Details

## INDEX OF DRAWINGS

### GENERAL DETAILS

MT\_FLRP\_1001 - Horizontal Flatlock Panel (Folded)  
 MT\_FLRP\_1002 - Horizontal Flatlock Panel (Unfolded)  
 MT\_FLRP\_1003 - Horizontal Flatlock Panel (Isometric)  
 MT\_FLRP\_1004 - Vertical Flatlock Panel (Folded)  
 MT\_FLRP\_1005 - Vertical Flatlock Panel (Unfolded)  
 MT\_FLRP\_1006 - Vertical Flatlock Panel (Isometric)  
 MT\_FLRP\_1007 - Square Diamond Flatlock (Folded)  
 MT\_FLRP\_1008 - Square Diamond Flatlock (Unfolded)  
 MT\_FLRP\_1009 - Rhomboid Flatlock (Folded)  
 MT\_FLRP\_1010 - Rhomboid Flatlock (Unfolded)  
 MT\_FLRP\_1011 - Oblique Flatlock (Folded)  
 MT\_FLRP\_1012 - Oblique Flatlock (Unfolded)  
 MT\_FLRP\_1013 - Flatlock Fasteners  
 MT\_FLRP\_1014 - Flatlock Roof Assembly - Option 1  
 MT\_FLRP\_1015 - Flatlock Roof Assembly - Option 2

### RIDGE DETAILS

MT\_FLRP\_1101 - Mono Pitch Ridge - Option 1  
 MT\_FLRP\_1102 - Mono Pitch Ridge - Option 2  
 MT\_FLRP\_1103 - Hip/Ridge Detail - Option 1  
 MT\_FLRP\_1104 - Hip/Ridge Detail - Option 2  
 MT\_FLRP\_1105 - Hip/Ridge Detail - Option 3

### EAVE DETAILS

MT\_FLRP\_1201 - Eave Section Detail  
 MT\_FLRP\_1202 - Built In Gutter Detail

### VALLEY DETAILS

MT\_FLRP\_1301 - Valley Detail - Option 1  
 MT\_FLRP\_1302 - Valley Detail - Option 2

### RAKE DETAILS

MT\_FLRP\_1401 - Rake Edge - Option 1  
 MT\_FLRP\_1402 - Rake Edge - Option 2  
 MT\_FLRP\_1403 - Rake Edge - Option 3  
 MT\_FLRP\_1404 - Rake Edge - Option 4

### WALL DETAILS

MT\_FLRP\_1501 - Side Wall - Option 1  
 MT\_FLRP\_1502 - Side Wall - Option 2  
 MT\_FLRP\_1503 - Side Wall - Option 3  
 MT\_FLRP\_1504 - Roof To Wall Transition - Option 1  
 MT\_FLRP\_1505 - Roof To Wall Transition - Option 2

### SOFFIT DETAILS

MT\_FLRP\_1601 - Wall To Soffit Transition

### PARAPET DETAILS

MT\_FLRP\_1701 - Parapet Detail - Option 1


### SKYLIGHT DETAILS

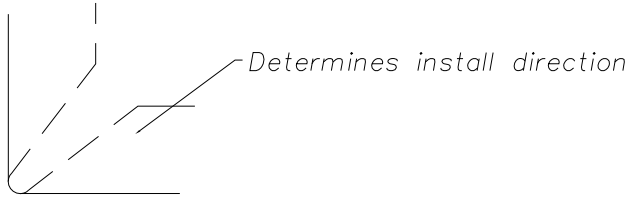
MT\_FLRP\_1801 - Skylight Jamb Detail  
 MT\_FLRP\_1802 - Skylight Head Detail  
 MT\_FLRP\_1803 - Skylight Sill Detail

### MISCELLANEOUS DETAILS

MT\_FLRP\_1901 - Slope To Flat Detail  
 MT\_FLRP\_1902 - Flat To Slope Detail  
 MT\_FLRP\_1903 - Vent Stack Section Detail

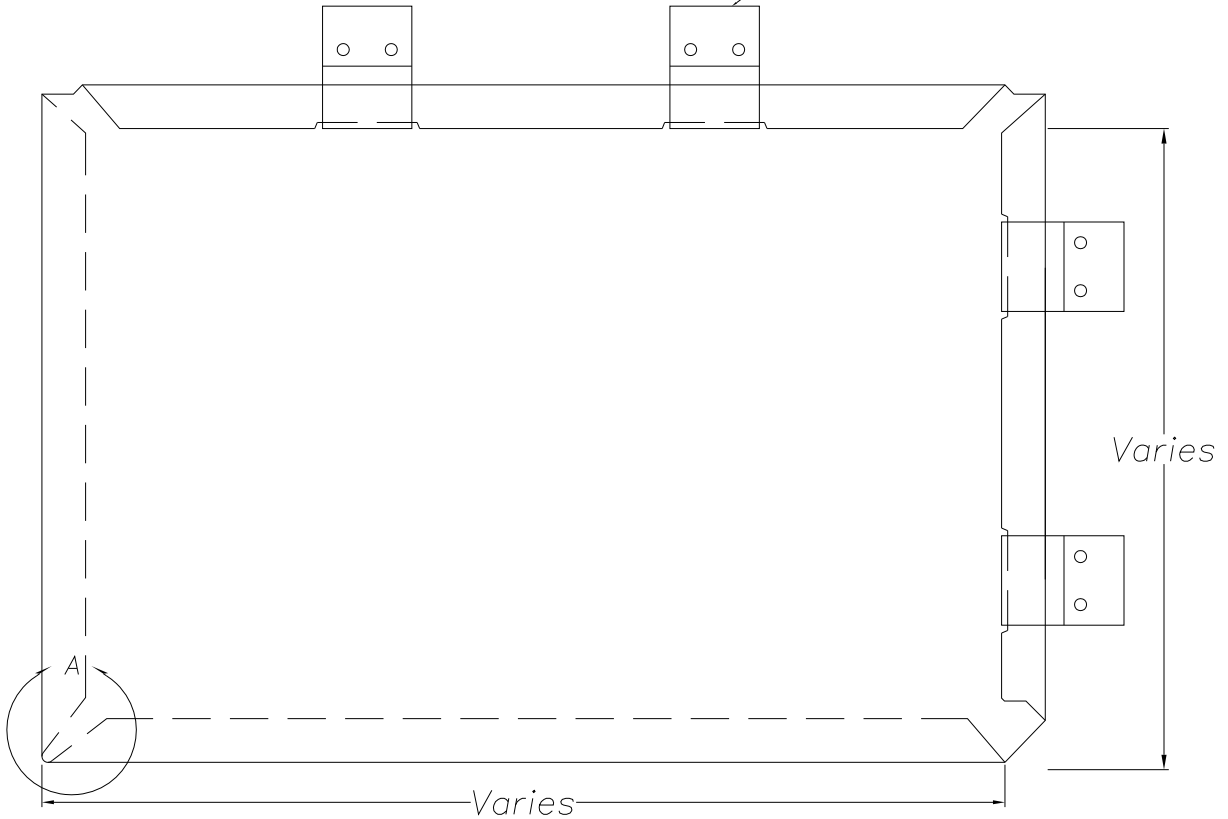
**NOTE:**  
 Information and details are only a baseline for system and installation. Modification to meet project requirement is the responsibility of the designer, architect and contractor. MetalTech-USA project staff are available to assist throughout the design and build process. © 2011 MetalTech-USA. All rights reserved.

 <b>MetalTech-USA</b> Changing Ideas Into Sustainable Reality.™ 611 Highway 74 South   Suite 900 Peachtree City, GA 30269 Phone: 770-486-8825   770-631-7689	UNLESS OTHERWISE SPECIFIED DIMENSIONS ARE IN INCHES		DRAWING NAME: INDEX	REVISION NO: A	DATED CREATED: 11/24/2014	
			DWG NO: MT_FLRP_0000	CHECKED BY: ESIMONSEN	APPROVED BY: ESIMONSEN	
			PROJECT NAME: INDEX			
	SCALE: NTS	SHEET NO: 1 OF 1	SIZE: A	TOLERANCES: ANGULAR ±1° LINEAR ±0.06		



DETAIL A  
SCALE 2:1

See dwg no. MT\_FLRP\_1013



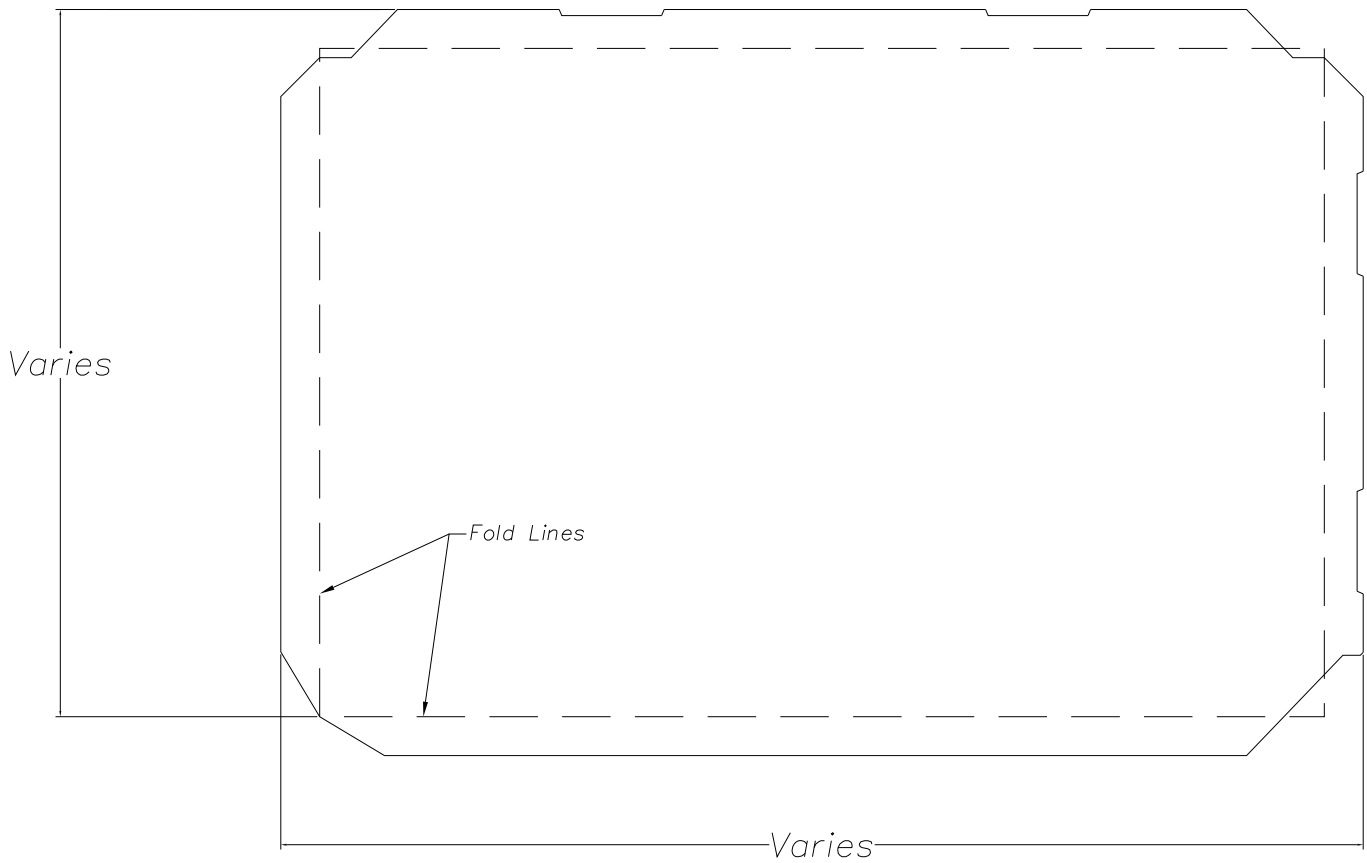
NOTE: Recommended fastener is MT100 Clip. Spacing is determined by project. Panel above is shown as a left to right install.

NOTE: Information and details are only a baseline for system and installation. Modification to meet project requirement is the responsibility of the designer, architect and contractor. MetalTech-USA project staff are available to assist throughout the design and build process. © 2011 MetalTech-USA. All rights reserved.

UNLESS OTHERWISE SPECIFIED DIMENSIONS ARE IN INCHES	DRAWING NAME: HORIZONTAL FLATLOCK PANEL (FOLDED)		REVISION NO: -	DATED CREATED: 1/2/2015
	DWG NO: MT_FLRP_1001		CHECKED BY: ESIMONSEN	APPROVED BY: ESIMONSEN
PROJECT NAME: GENERAL DETAILS				
SCALE: NTS		SHEET NO: 1 OF 15	SIZE: A	TOLERANCES: ANGULAR ±1° LINEAR ±0.06




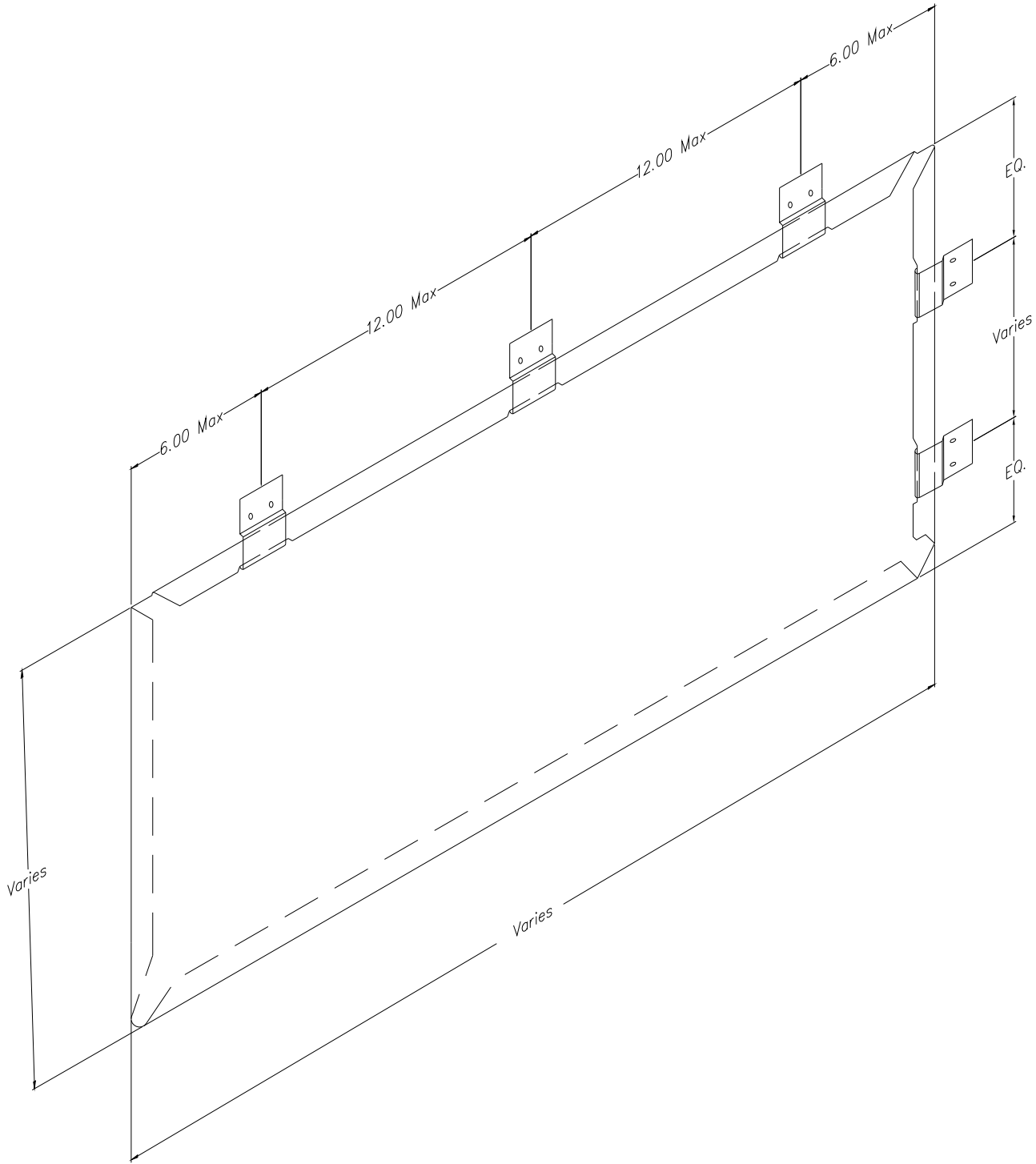
611 Highway 74 South | Suite 900  
Peachtree City, GA 30269  
Phone: 770-486-8825 | 770-631-7689




NOTE: Recommended fastener is MT100 Clip. Spacing is determined by project. Panel above is shown as a left to right install.

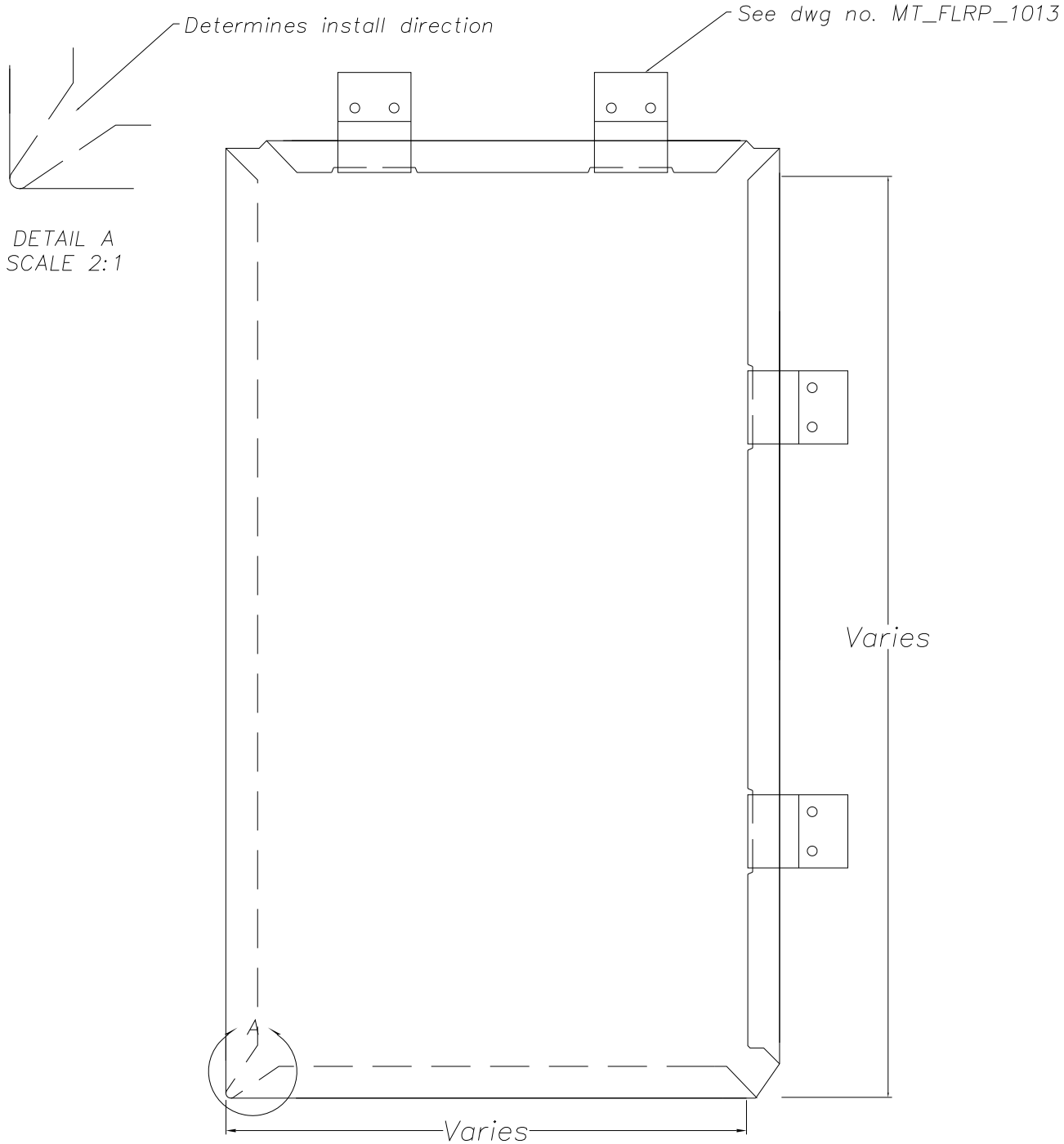
NOTE: Information and details are only a baseline for system and installation. Modification to meet project requirement is the responsibility of the designer, architect and contractor. MetalTech-USA project staff are available to assist throughout the design and build process. © 2011 MetalTech-USA. All rights reserved.

<p>UNLESS OTHERWISE SPECIFIED DIMENSIONS ARE IN INCHES</p>  <p><b>MetalTech-USA</b> Changing Ideas Into Sustainable Reality.™</p> <p>611 Highway 74 South   Suite 900 Peachtree City, GA 30269 Phone: 770-486-8825   770-631-7689</p>	<p>DRAWING NAME: HORIZONTAL FLATLOCK PANEL (UNFOLDED)</p>	<p>REVISION NO: -</p>	<p>DATED CREATED: 1/2/2015</p>
	<p>DWG NO: MT_FLRP_1002</p>	<p>CHECKED BY: ESIMONSEN</p>	<p>APPROVED BY: ESIMONSEN</p>
<p>PROJECT NAME: GENERAL DETAILS</p>			
<p>SCALE: NTS</p>	<p>SHEET NO: 2 OF 15</p>	<p>SIZE: A</p>	<p>TOLERANCES: ANGULAR ±1° LINEAR ±0.06</p>



**NOTE:**  
 Information and details are only a baseline for system and installation. Modification to meet project requirement is the responsibility of the designer, architect and contractor. MetalTech-USA project staff are available to assist throughout the design and build process. © 2011 MetalTech-USA. All rights reserved.

UNLESS OTHERWISE SPECIFIED DIMENSIONS ARE IN INCHES	DRAWING NAME: HORIZONTAL FLATLOCK PANEL (ISOMETRIC)	REVISION NO: -	DATED CREATED: 1/2/2015
 Changing Ideas Into Sustainable Reality.™	DWG NO: MT_FLRP_1003	CHECKED BY: ESIMONSEN	APPROVED BY: ESIMONSEN
611 Highway 74 South   Suite 900 Peachtree City, GA 30269 Phone: 770-486-8825   770-631-7689	PROJECT NAME: GENERAL DETAILS	SCALE: NTS	SHEET NO: 3 OF 15
	SIZE: A	TOLERANCES: ANGULAR ±1° LINEAR ±0.06	



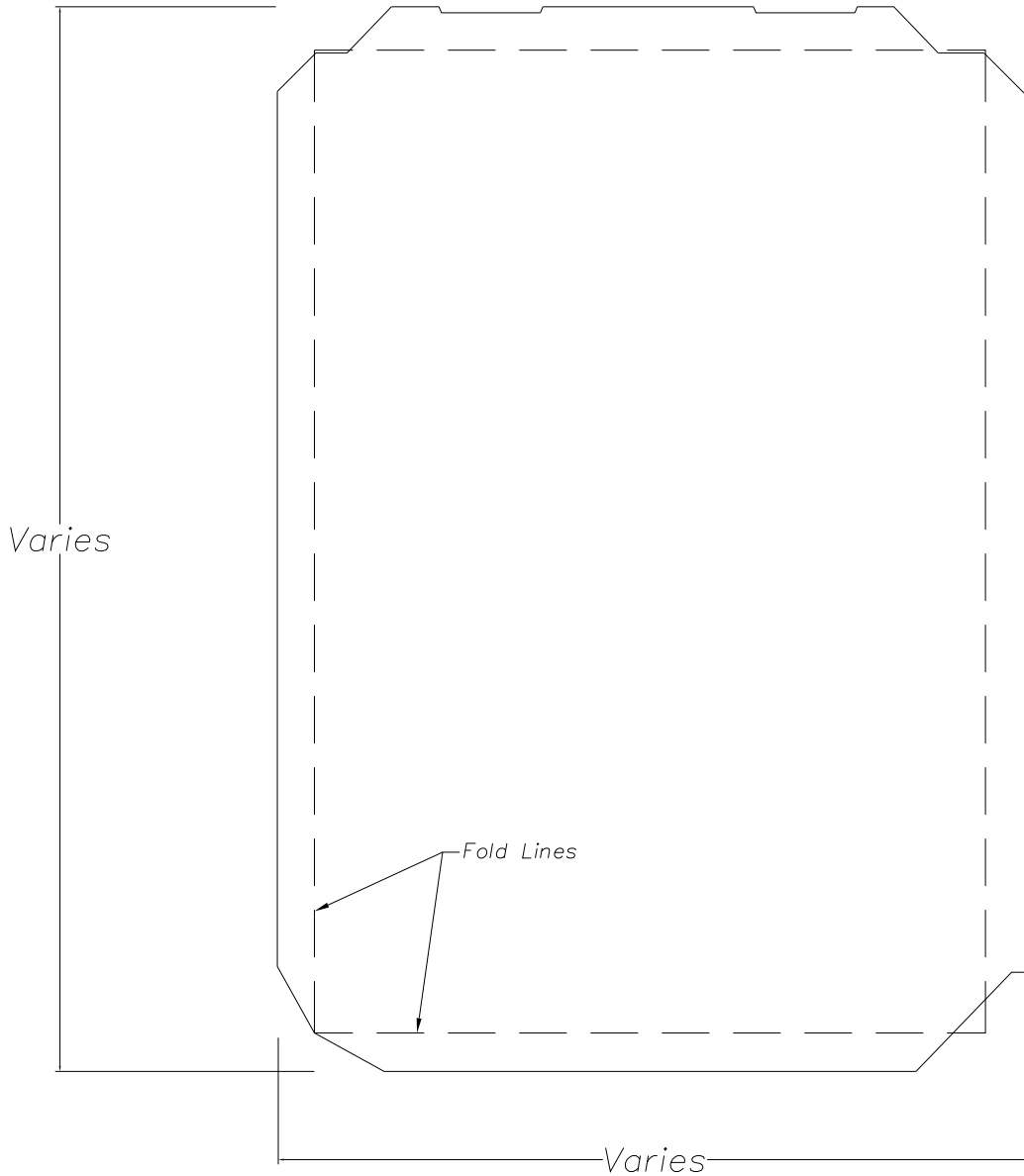
NOTE: Recommended fastener is MT100 Clip. Spacing is determined by project. Panel above is shown as a left to right install.

NOTE: Information and details are only a baseline for system and installation. Modification to meet project requirement is the responsibility of the designer, architect and contractor. MetalTech-USA project staff are available to assist throughout the design and build process. © 2011 MetalTech-USA. All rights reserved.

UNLESS OTHERWISE SPECIFIED DIMENSIONS ARE IN INCHES	DRAWING NAME: VERTICAL FLATLOCK PANEL (FOLDED)		REVISION NO: -	DATED CREATED: 1/2/2015
	DWG NO: MT_FLRP_1004		CHECKED BY: ESIMONSEN	APPROVED BY: ESIMONSEN
PROJECT NAME: GENERAL DETAILS				
SCALE: NTS		SHEET NO: 4 OF 15	SIZE: A	TOLERANCES: ANGULAR ±1° LINEAR ±0.06


**MetalTech-USA**  
Changing Ideas Into Sustainable Reality.™

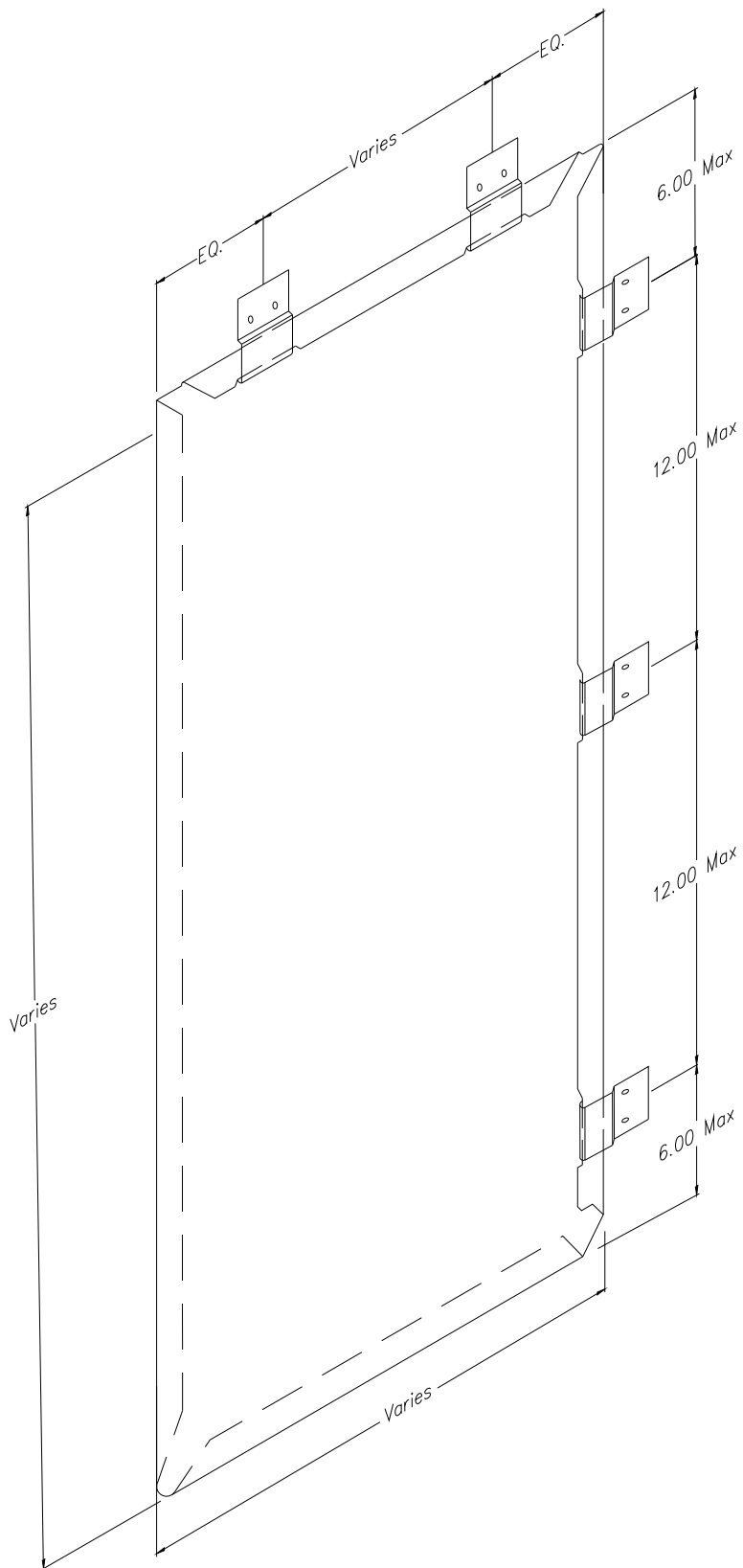
611 Highway 74 South | Suite 900  
Peachtree City, GA 30269  
Phone: 770-486-8825 | 770-631-7689




NOTE: Recommended fastener is MT100 Clip. Spacing is determined by project. Panel above is shown as a left to right install.

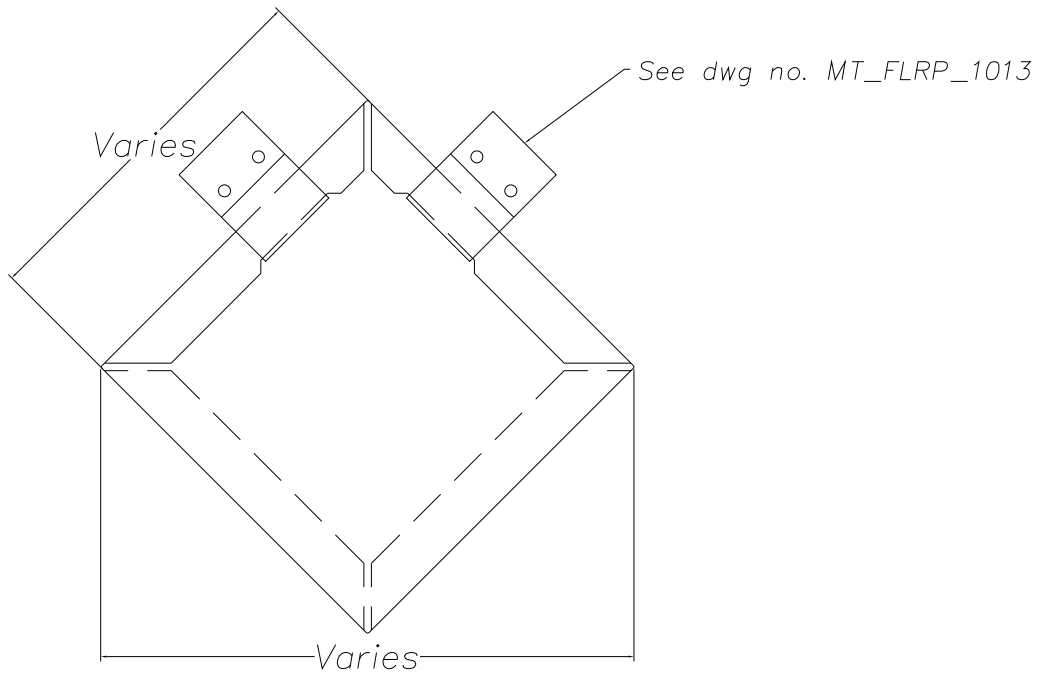
NOTE: Information and details are only a baseline for system and installation. Modification to meet project requirement is the responsibility of the designer, architect and contractor. MetalTech-USA project staff are available to assist throughout the design and build process. © 2011 MetalTech-USA. All rights reserved.

UNLESS OTHERWISE SPECIFIED DIMENSIONS ARE IN INCHES	DRAWING NAME: VERTICAL FLATLOCK PANEL (UNFOLDED)	REVISION NO: -	DATED CREATED: 1/2/2015
 <b>MetalTech-USA</b> Changing Ideas Into Sustainable Reality.™ 611 Highway 74 South   Suite 900 Peachtree City, GA 30269 Phone: 770-486-8825   770-631-7689	DWG NO: MT_FLRP_1005	CHECKED BY: ESIMONSEN	APPROVED BY: ESIMONSEN
	PROJECT NAME: GENERAL DETAILS		
SCALE: NTS	SHEET NO: 5 OF 15	SIZE: A	TOLERANCES: ANGULAR ±1° LINEAR ±0.06




**NOTE:**  
 Information and details are only a baseline for system and installation. Modification to meet project requirement is the responsibility of the designer, architect and contractor. MetalTech-USA project staff are available to assist throughout the design and build process. © 2011 MetalTech-USA. All rights reserved.

<p>UNLESS OTHERWISE SPECIFIED DIMENSIONS ARE IN INCHES</p>	<p>DRAWING NAME:          VERTICAL FLATLOCK PANEL (ISOMETRIC)</p>	<p>REVISION NO:          -</p>	<p>DATED CREATED:          1/2/2015</p>
 <p>Changing Ideas Into Sustainable Reality.™</p> <p>611 Highway 74 South   Suite 900          Peachtree City, GA 30269          Phone: 770-486-8825   770-631-7689</p>	<p>DWG NO:          MT_FLRP_1006</p>	<p>CHECKED BY:          ESIMONSEN</p>	<p>APPROVED BY:          ESIMONSEN</p>
	<p>PROJECT NAME:          GENERAL DETAILS</p>		
<p>SCALE:          NTS</p>	<p>SHEET NO:          6 OF 15</p>	<p>SIZE:          A</p>	<p>TOLERANCES:          ANGULAR ±1° LINEAR ±0.06</p>

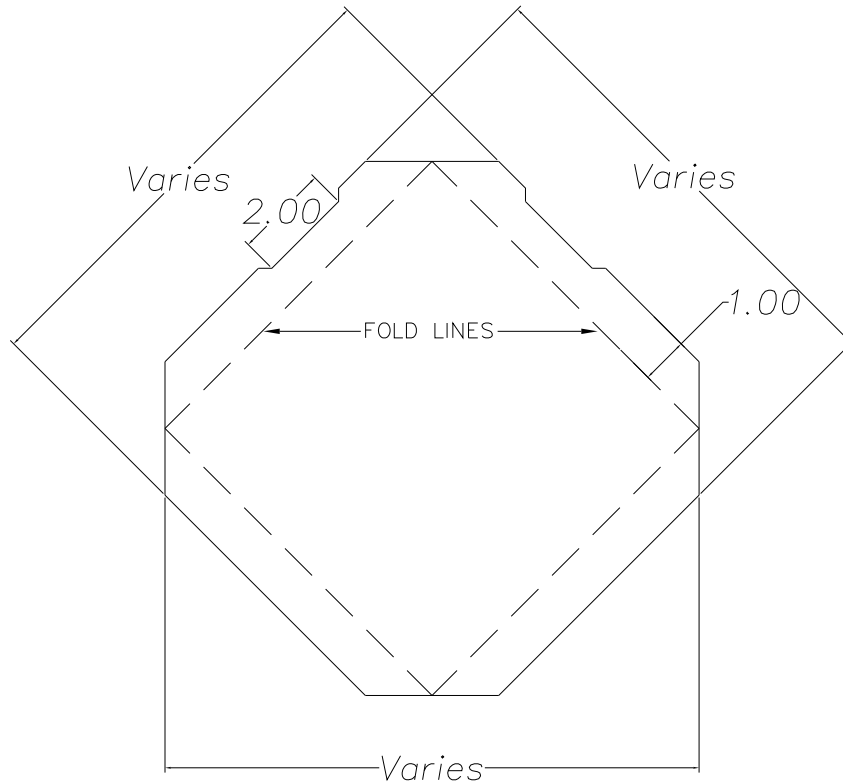


NOTE: Recommended fastener is MT100 Clip. Spacing is determined by project.

NOTE: Information and details are only a baseline for system and installation. Modification to meet project requirement is the responsibility of the designer, architect and contractor. MetalTech-USA project staff are available to assist throughout the design and build process. © 2011 MetalTech-USA. All rights reserved.

<p>UNLESS OTHERWISE SPECIFIED DIMENSIONS ARE IN INCHES</p>  <p><b>MetalTech-USA</b> Changing Ideas Into Sustainable Reality.™</p> <p>611 Highway 74 South   Suite 900 Peachtree City, GA 30269 Phone: 770-486-8825   770-631-7689</p>	<p>DRAWING NAME: SQUARE DIAMOND FLATLOCK (FOLDED)</p>		<p>REVISION NO: -</p>	<p>DATED CREATED: 1/2/2015</p>
	<p>DWG NO: MT_FLRP_1007</p>		<p>CHECKED BY: ESIMONSEN</p>	<p>APPROVED BY: ESIMONSEN</p>
<p>PROJECT NAME: GENERAL DETAILS</p>				
<p>SCALE: NTS</p>	<p>SHEET NO: 7 OF 15</p>	<p>SIZE: A</p>	<p>TOLERANCES: ANGULAR ±1° LINEAR ±0.06</p>	

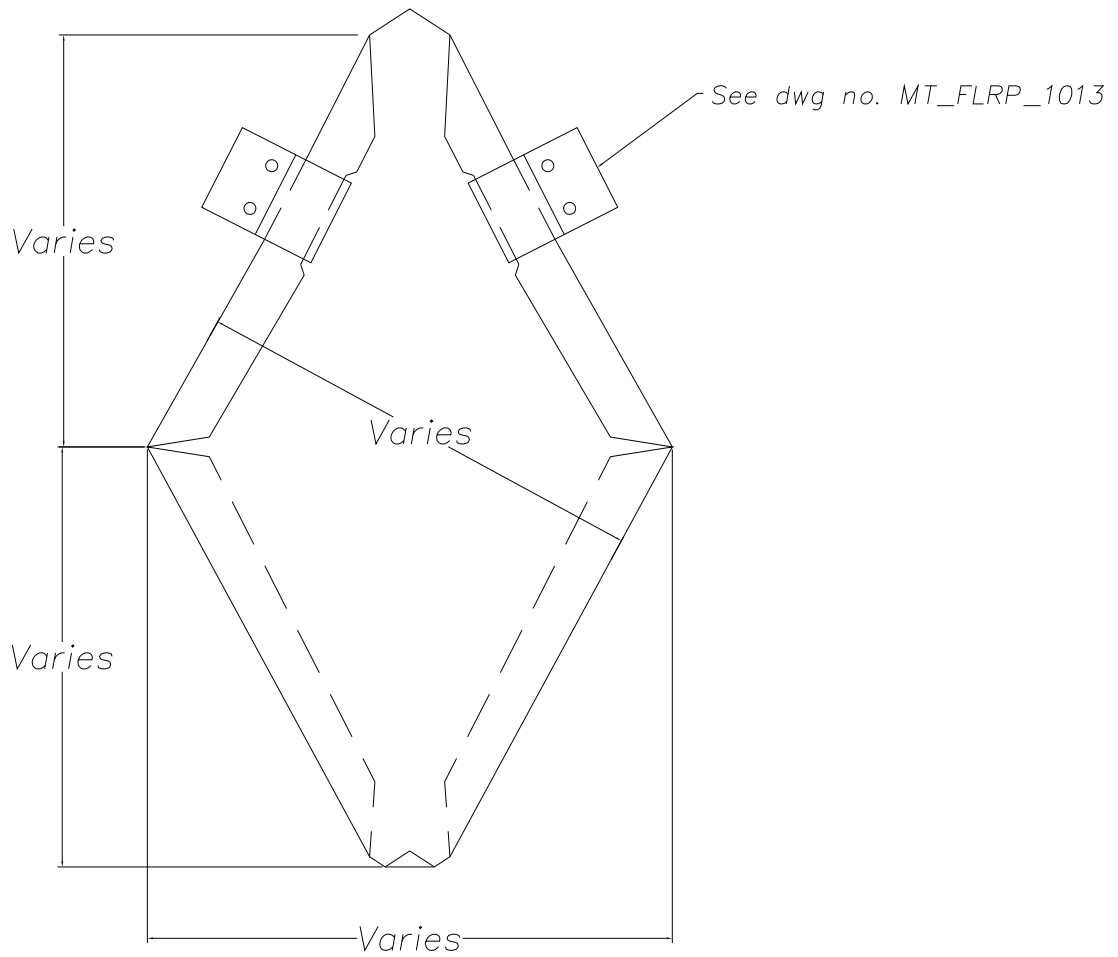




NOTE: Recommended fastener is MT100 Clip. Spacing is determined by project.

NOTE: Information and details are only a baseline for system and installation. Modification to meet project requirement is the responsibility of the designer, architect and contractor. MetalTech-USA project staff are available to assist throughout the design and build process. © 2011 MetalTech-USA. All rights reserved.

UNLESS OTHERWISE SPECIFIED DIMENSIONS ARE IN INCHES	DRAWING NAME: SQUARE DIAMOND FLATLOCK (UNFOLDED)		REVISION NO: -	DATED CREATED: 1/2/2015
	DWG NO: MT_FLRP_1008		CHECKED BY: ESIMONSEN	APPROVED BY: ESIMONSEN
PROJECT NAME: GENERAL DETAILS				
SCALE: NTS		SHEET NO: 8 OF 15	SIZE: A	TOLERANCES: ANGULAR $\pm 1'$ LINEAR $\pm 0.06$



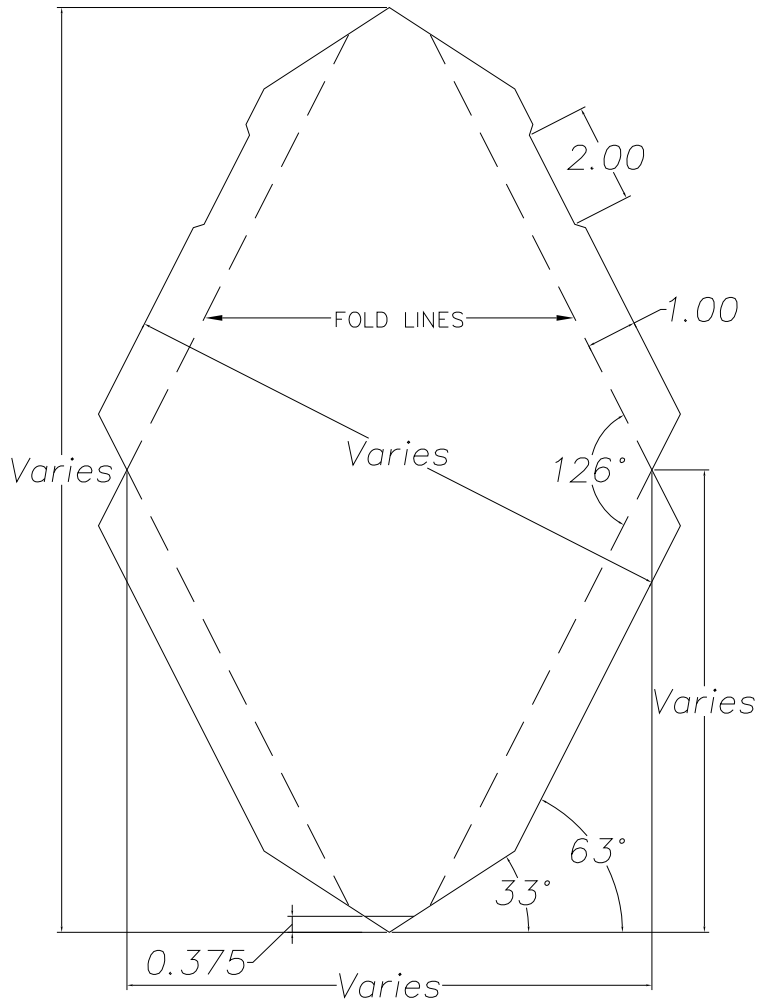
NOTE: Recommended fastener is MT100 Clip. Spacing is determined by project.

NOTE: Information and details are only a baseline for system and installation. Modification to meet project requirement is the responsibility of the designer, architect and contractor. MetalTech-USA project staff are available to assist throughout the design and build process. © 2011 MetalTech-USA. All rights reserved.

UNLESS OTHERWISE SPECIFIED DIMENSIONS ARE IN INCHES	DRAWING NAME: RHOMBOID FLATLOCK (FOLDED)		REVISION NO: -	DATED CREATED: 1/2/2015
	DWG NO: MT_FLRP_1009		CHECKED BY: ESIMONSEN	APPROVED BY: ESIMONSEN
PROJECT NAME: GENERAL DETAILS				
SCALE: NTS		SHEET NO: 9 OF 15	SIZE: A	TOLERANCES: ANGULAR $\pm 1'$ LINEAR $\pm 0.06$



611 Highway 74 South | Suite 900  
 Peachtree City, GA 30269  
 Phone: 770-486-8825 | 770-631-7689



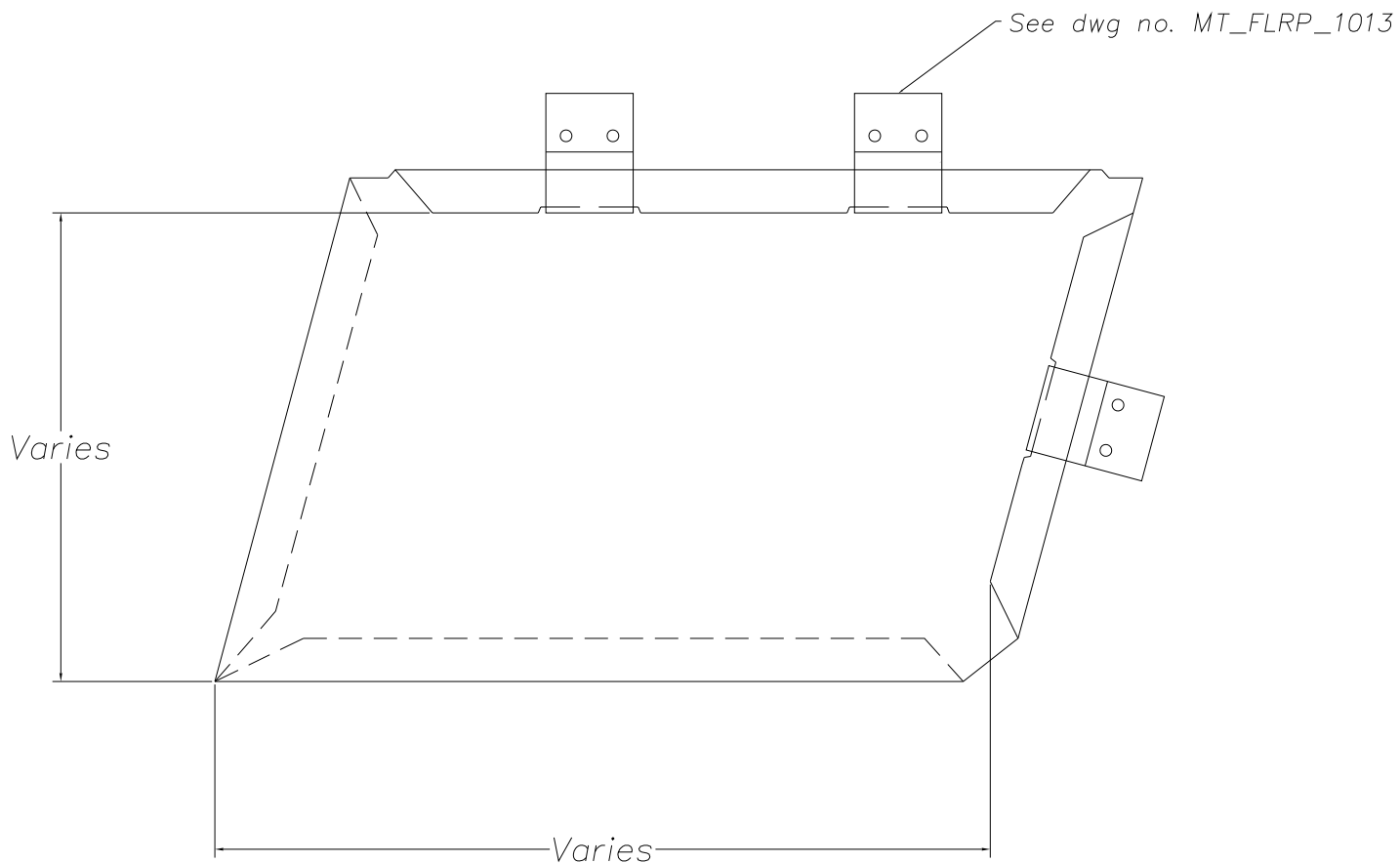
NOTE: Recommended fastener is MT100 Clip. Spacing is determined by project.

NOTE: Information and details are only a baseline for system and installation. Modification to meet project requirement is the responsibility of the designer, architect and contractor. MetalTech-USA project staff are available to assist throughout the design and build process. © 2011 MetalTech-USA. All rights reserved.

UNLESS OTHERWISE SPECIFIED DIMENSIONS ARE IN INCHES	DRAWING NAME: RHOMBOID FLATLOCK (UNFOLDED)		REVISION NO: -	DATED CREATED: 1/2/2015
	DWG NO: MT_FLRP_1010		CHECKED BY: ESIMONSEN	APPROVED BY: ESIMONSEN
PROJECT NAME: GENERAL DETAILS				
SCALE: NTS		SHEET NO: 10 OF 15	SIZE: A	TOLERANCES: ANGULAR $\pm 1^\circ$ LINEAR $\pm 0.06$




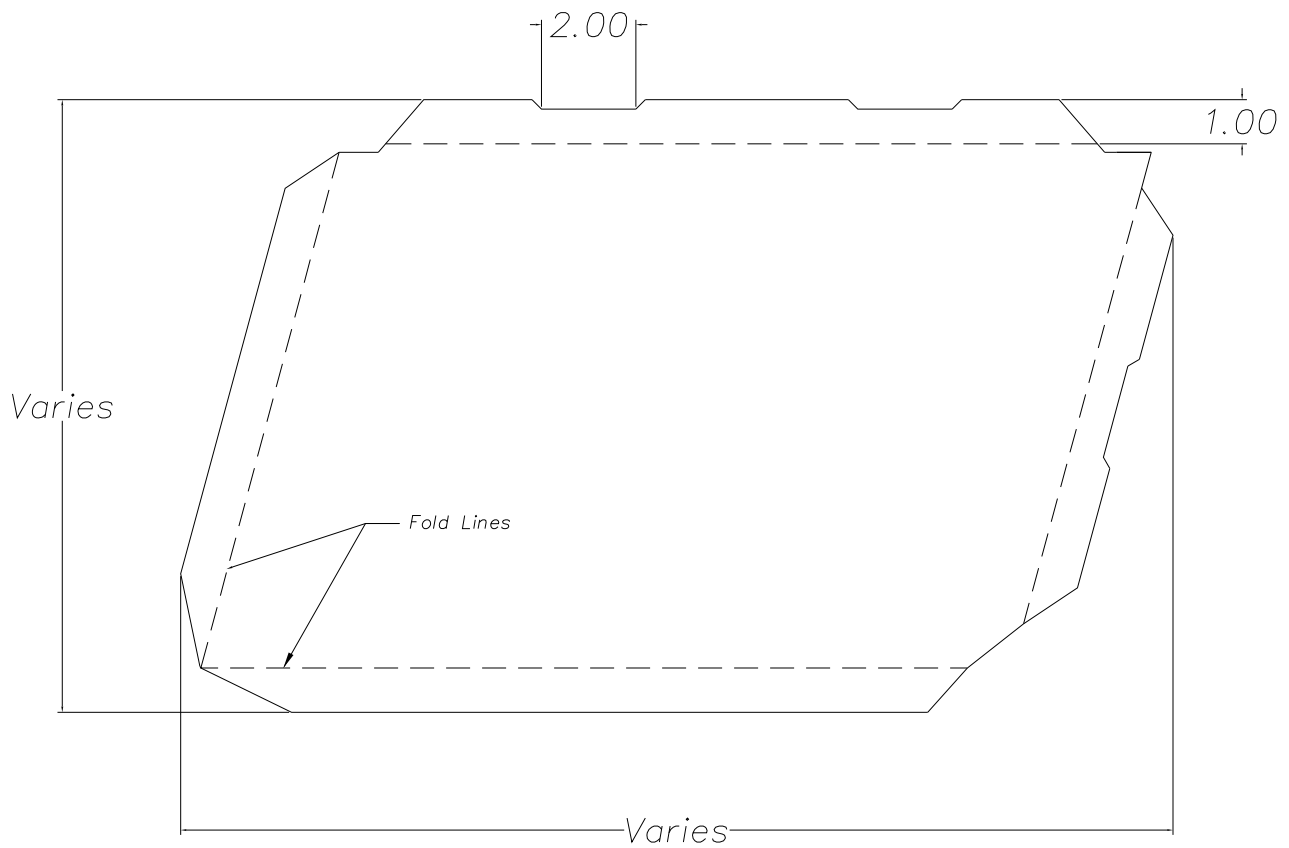
611 Highway 74 South | Suite 900  
 Peachtree City, GA 30269  
 Phone: 770-486-8825 | 770-631-7689



NOTE: Recommended fastener is MT100 Clip. Spacing is determined by project.


NOTE: Information and details are only a baseline for system and installation. Modification to meet project requirement is the responsibility of the designer, architect and contractor. MetalTech-USA project staff are available to assist throughout the design and build process. © 2011 MetalTech-USA. All rights reserved.

UNLESS OTHERWISE SPECIFIED DIMENSIONS ARE IN INCHES	DRAWING NAME: OBLIQUE FLATLOCK PANEL (FOLDED)	REVISION NO: -	DATED CREATED: 1/2/2015
 Changing Ideas Into Sustainable Reality.™ 611 Highway 74 South   Suite 900 Peachtree City, GA 30269 Phone: 770-486-8825   770-631-7689	DWG NO: MT_FLRP_1011	CHECKED BY: ESIMONSEN	APPROVED BY: ESIMONSEN
	PROJECT NAME: GENERAL DETAILS		
SCALE: NTS	SHEET NO: 11 OF 15	SIZE: A	TOLERANCES: ANGULAR ±1° LINEAR ±0.06



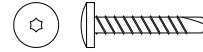
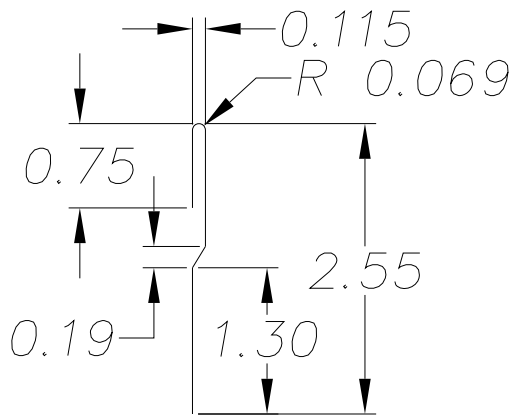
NOTE: Recommended fastener is MT100 Clip. Spacing is dertermined by project.

NOTE: Information and details are only a baseline for system and installation. Modification to meet project requirement is the responsibility of the designer, architect and contractor. MetalTech-USA project staff are available to assist throughout the design and build process. © 2011 MetalTech-USA. All rights reserved.

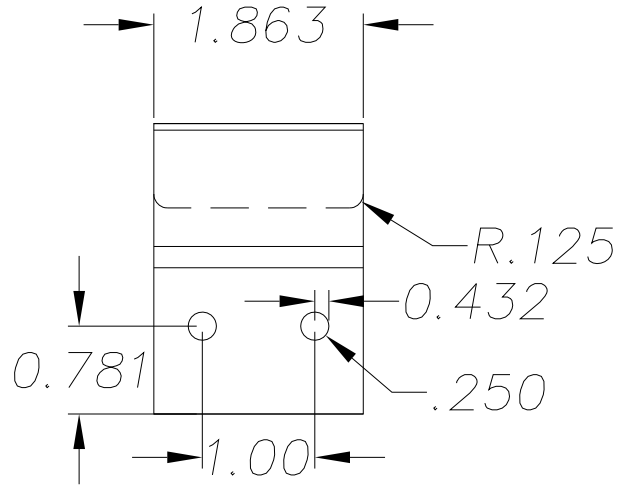
<p>UNLESS OTHERWISE SPECIFIED DIMENSIONS ARE IN INCHES</p>  <p>Changing Ideas Into Sustainable Reality.™</p> <p>611 Highway 74 South   Suite 900          Peachtree City, GA 30269          Phone: 770-486-8825   770-631-7689</p>	<p>DRAWING NAME:  <i>OBLIQUE FLATLOCK PANEL (UNFOLED)</i></p>		<p>REVISION NO:          -</p>	<p>DATED CREATED:          1/2/2015</p>
	<p>DWG NO:          MT_FLRP_1012</p>		<p>CHECKED BY:          ESIMONSEN</p>	<p>APPROVED BY:          ESIMONSEN</p>
<p>PROJECT NAME:          GENERAL DETAILS</p>				
<p>SCALE:          NTS</p>	<p>SHEET NO:          12 OF 15</p>	<p>SIZE:          A</p>	<p>TOLERANCES:          ANGULAR ±1° LINEAR ±0.06</p>	



MT101  
Wood Applications




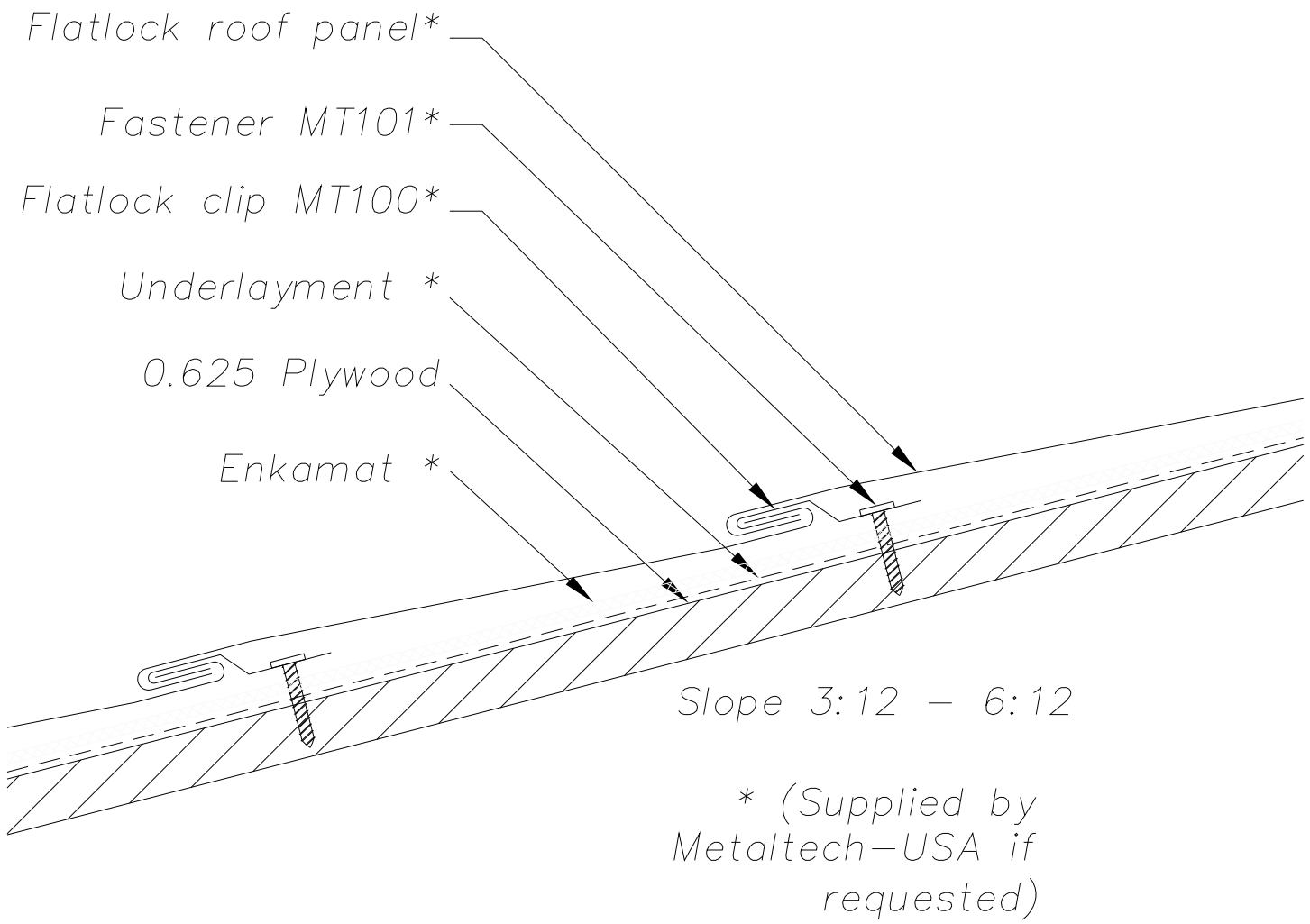
MT101SX3  
Sheet Metal Applications




SS MT100 Flatlock Clip  
Material is 24 gauge stainless steel

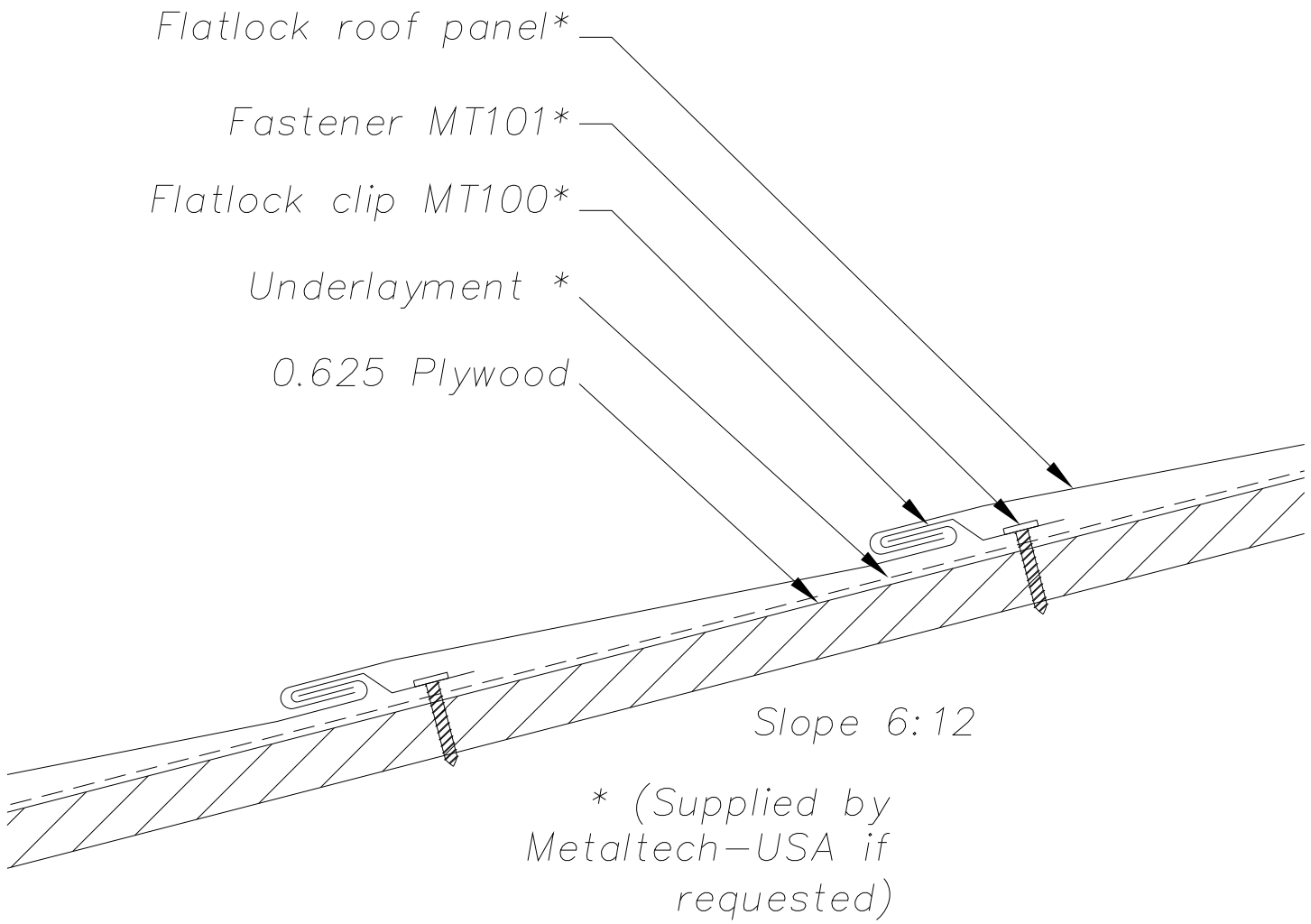
NOTE:  
Information and details are only a baseline for system and installation. Modification to meet project requirement is the responsibility of the designer, architect and contractor. MetalTech-USA project staff are available to assist throughout the design and build process. © 2011 MetalTech-USA. All rights reserved.

UNLESS OTHERWISE SPECIFIED DIMENSIONS ARE IN INCHES	DRAWING NAME: FLATLOCK FASTENERS	REVISION NO: -	DATED CREATED: 1/2/2015
 Changing Ideas Into Sustainable Reality.™ 611 Highway 74 South   Suite 900 Peachtree City, GA 30269 Phone: 770-486-8825   770-631-7689	DWG NO: MT_FLRP_1013	CHECKED BY: ESIMONSEN	APPROVED BY: ESIMONSEN
	PROJECT NAME: GENERAL DETAILS		
	SCALE: NTS	SHEET NO: 13 OF 15	SIZE: A TOLERANCES: ANGULAR ±1° LINEAR ±0.06




NOTE:  
 Information and details are only a baseline for system and installation. Modification to meet project requirement is the responsibility of the designer, architect and contractor. MetalTech-USA project staff are available to assist throughout the design and build process. © 2011 MetalTech-USA. All rights reserved.

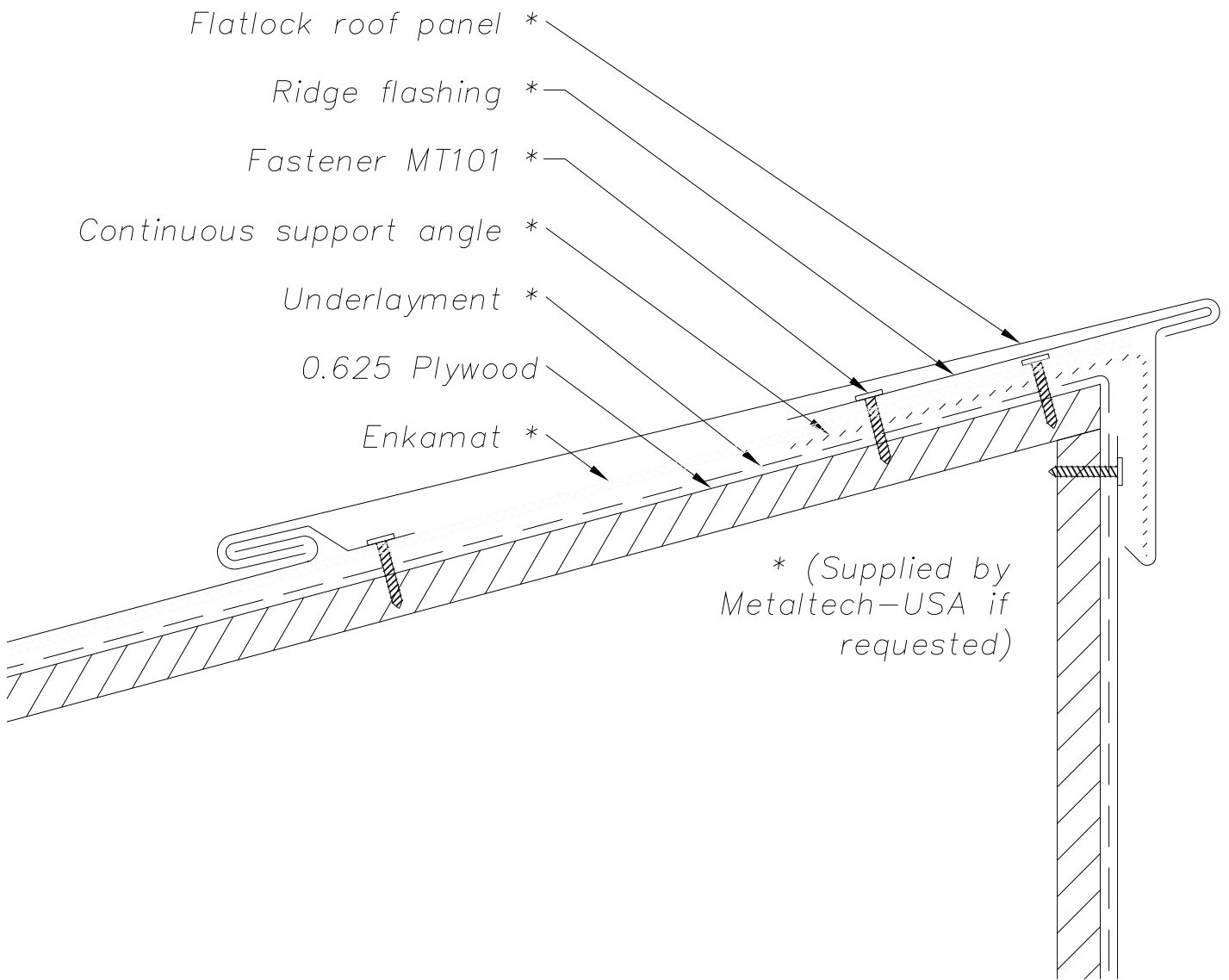
UNLESS OTHERWISE SPECIFIED DIMENSIONS ARE IN INCHES	DRAWING NAME: FLATLOCK ROOF ASSEMBLY – OPTION 1	REVISION NO: –	DATED CREATED: 1/2/2015
 Changing Ideas Into Sustainable Reality.™ 611 Highway 74 South   Suite 900 Peachtree City, GA 30269 Phone: 770-486-8825   770-631-7689	DWG NO: MT_FLRP_1014	CHECKED BY: ESIMONSEN	APPROVED BY: ESIMONSEN
	PROJECT NAME: GENERAL DETAILS		
	SCALE: NTS	SHEET NO: 14 OF 15	SIZE: A  TOLERANCES: ANGULAR ±1° LINEAR ±0.06



**NOTE:**  
 Information and details are only a baseline for system and installation. Modification to meet project requirement is the responsibility of the designer, architect and contractor. MetalTech-USA project staff are available to assist throughout the design and build process. © 2011 MetalTech-USA. All rights reserved.

UNLESS OTHERWISE SPECIFIED DIMENSIONS ARE IN INCHES	DRAWING NAME: FLATLOCK ROOF ASSEMBLY – OPTION 2		REVISION NO: –	DATED CREATED: 1/2/2015	
	DWG NO: MT_FLRP_1015		CHECKED BY: ESIMONSEN	APPROVED BY: ESIMONSEN	
 <b>MetalTech-USA</b> Changing Ideas Into Sustainable Reality.™ 611 Highway 74 South   Suite 900 Peachtree City, GA 30269 Phone: 770-486-8825   770-631-7689	PROJECT NAME: GENERAL DETAILS				
	SCALE: NTS	SHEET NO: 15 OF 15	SIZE: A	TOLERANCES: ANGULAR ±1° LINEAR ±0.06	





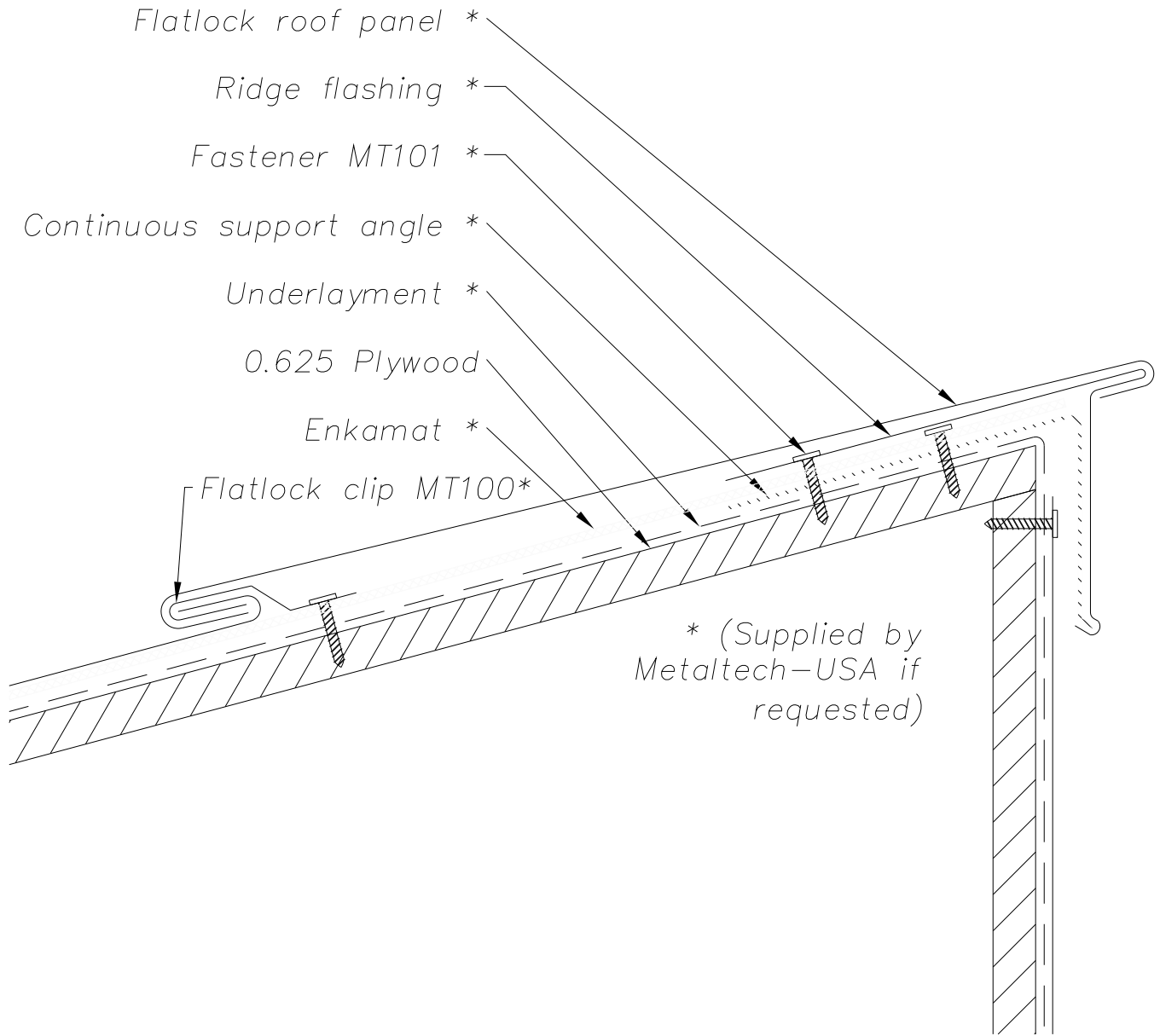
NOTE:  
 Information and details are only a baseline for system and installation. Modification to meet project requirement is the responsibility of the designer, architect and contractor. MetalTech-USA project staff are available to assist throughout the design and build process. © 2011 MetalTech-USA. All rights reserved.

UNLESS OTHERWISE SPECIFIED DIMENSIONS ARE IN INCHES	DRAWING NAME: MONO PITCH RIDGE – OPTION 1		REVISION NO: A	DATED CREATED: 1/2/2015
	DWG NO: MT_FLRP_1101		CHECKED BY: ESIMONSEN	APPROVED BY: ESIMONSEN
PROJECT NAME: RIDGE DETAILS				
SCALE: NTS		SHEET NO: 1 OF 5	SIZE: A	TOLERANCES: ANGULAR ±1° LINEAR ±0.06



Changing Ideas Into Sustainable Reality.™

611 Highway 74 South | Suite 900  
 Peachtree City, GA 30269  
 Phone: 770-486-8825 | 770-631-7689

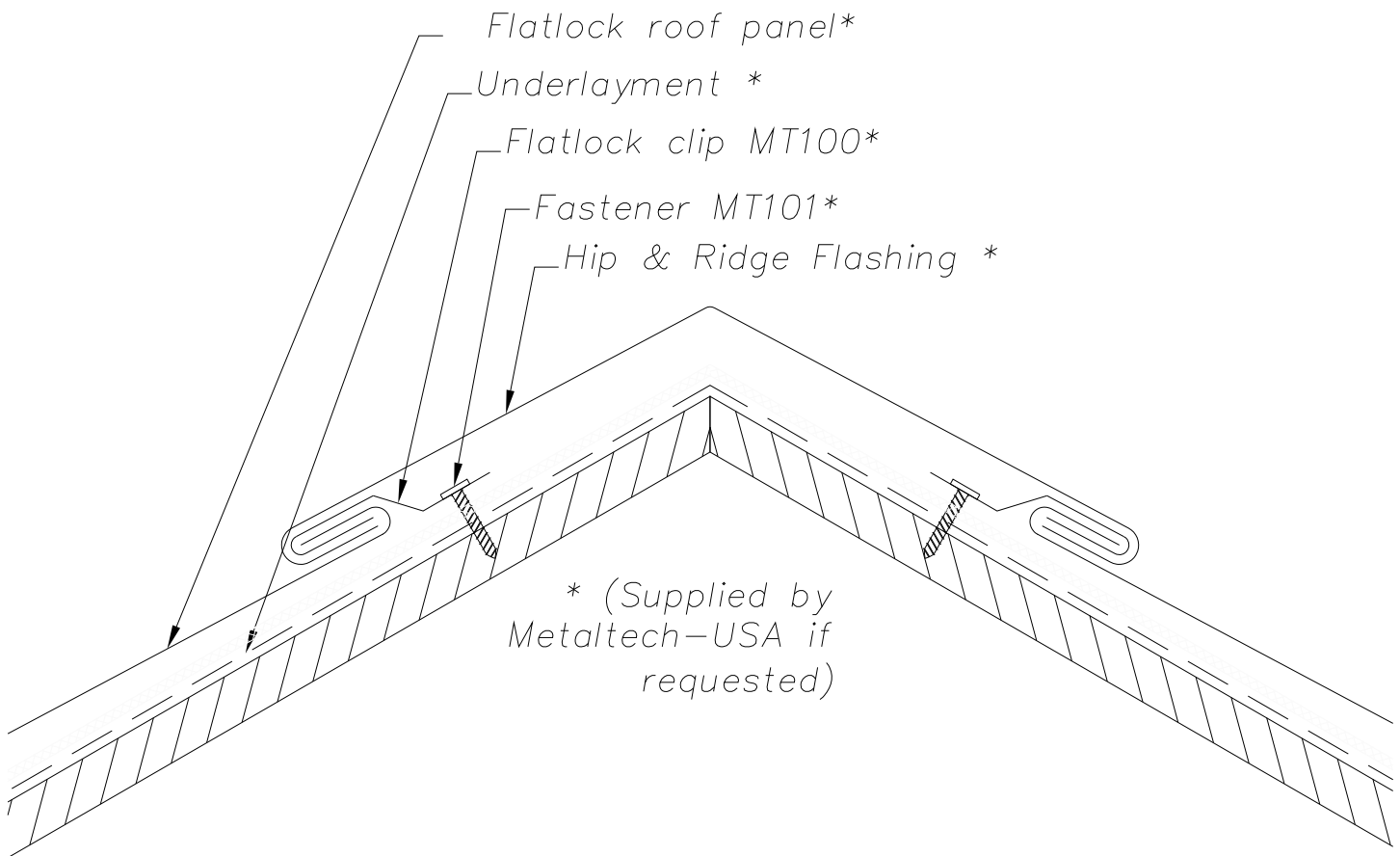


NOTE:  
 Information and details are only a baseline for system and installation. Modification to meet project requirement is the responsibility of the designer, architect and contractor. MetalTech-USA project staff are available to assist throughout the design and build process. © 2011 MetalTech-USA. All rights reserved.


UNLESS OTHERWISE SPECIFIED DIMENSIONS ARE IN INCHES	DRAWING NAME: MONO PITCH RIDGE – OPTION 2		REVISION NO: A	DATED CREATED: 1/2/2015
	DWG NO: MT_FLRP_1102		CHECKED BY: ESIMONSEN	APPROVED BY: ESIMONSEN
PROJECT NAME: RIDGE DETAILS				
SCALE: NTS		SHEET NO: 2 OF 5	SIZE: A	TOLERANCES: ANGULAR ±1° LINEAR ±0.06

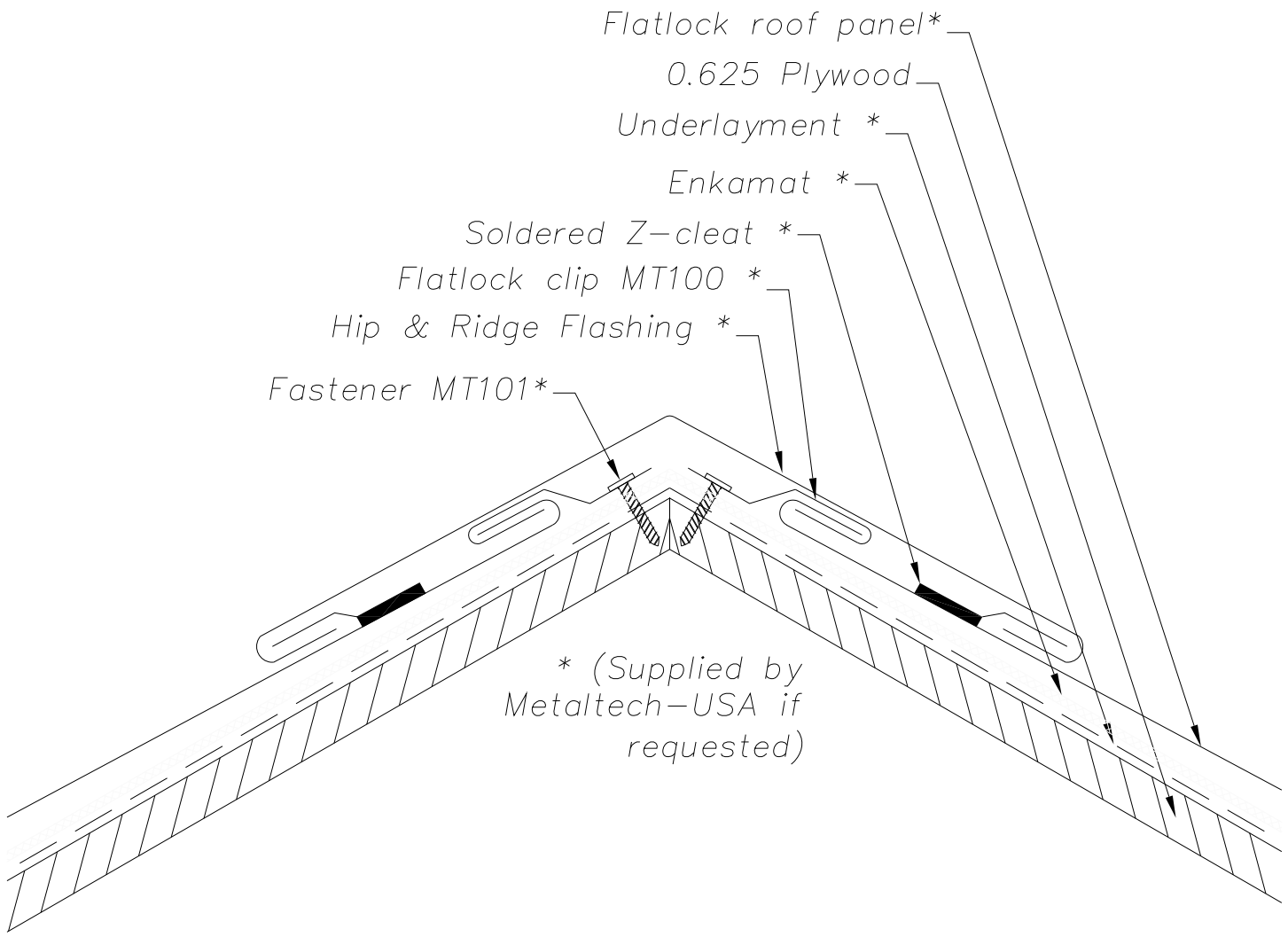


611 Highway 74 South | Suite 900  
 Peachtree City, GA 30269  
 Phone: 770-486-8825 | 770-631-7689



NOTE:  
 Information and details are only a baseline for system and installation. Modification to meet project requirement is the responsibility of the designer, architect and contractor. MetalTech-USA project staff are available to assist throughout the design and build process. © 2011 MetalTech-USA. All rights reserved.

UNLESS OTHERWISE SPECIFIED DIMENSIONS ARE IN INCHES	DRAWING NAME: HIP/RIDGE DETAIL – OPTION 1	REVISION NO: A	DATED CREATED: 1/2/2015
 Changing Ideas Into Sustainable Reality.™ 611 Highway 74 South   Suite 900 Peachtree City, GA 30269 Phone: 770-486-8825   770-631-7689	DWG NO: MT_FLRP_1103	CHECKED BY: ESIMONSEN	APPROVED BY: ESIMONSEN
	PROJECT NAME: RIDGE DETAILS		
SCALE: NTS	SHEET NO: 3 OF 5	SIZE: A	TOLERANCES: ANGULAR ±1° LINEAR ±0.06

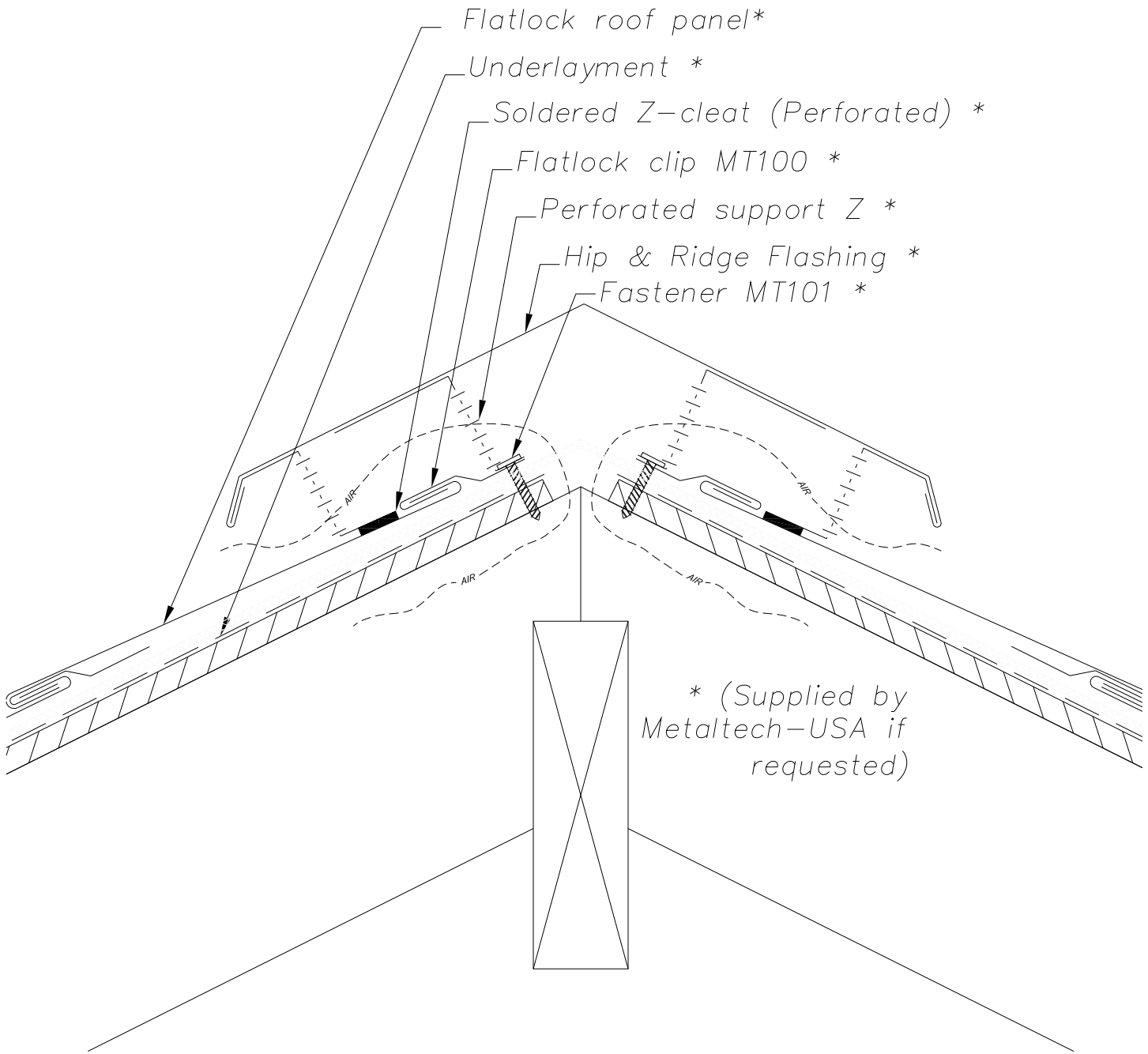


NOTE:  
 Information and details are only a baseline for system and installation. Modification to meet project requirement is the responsibility of the designer, architect and contractor. MetalTech-USA project staff are available to assist throughout the design and build process. © 2011 MetalTech-USA. All rights reserved.

UNLESS OTHERWISE SPECIFIED DIMENSIONS ARE IN INCHES	DRAWING NAME: HIP/RIDGE DETAIL – OPTION 2		REVISION NO: –	DATED CREATED: 1/2/2015
	DWG NO: MT_FLRP_1104		CHECKED BY: ESIMONSEN	APPROVED BY: ESIMONSEN
PROJECT NAME: RIDGE DETAILS				
SCALE: NTS		SHEET NO: 4 OF 5	SIZE: A	TOLERANCES: ANGULAR ±1° LINEAR ±0.06

**MetalTech-USA**  
 Changing Ideas Into Sustainable Reality.™

611 Highway 74 South | Suite 900  
 Peachtree City, GA 30269  
 Phone: 770-486-8825 | 770-631-7689

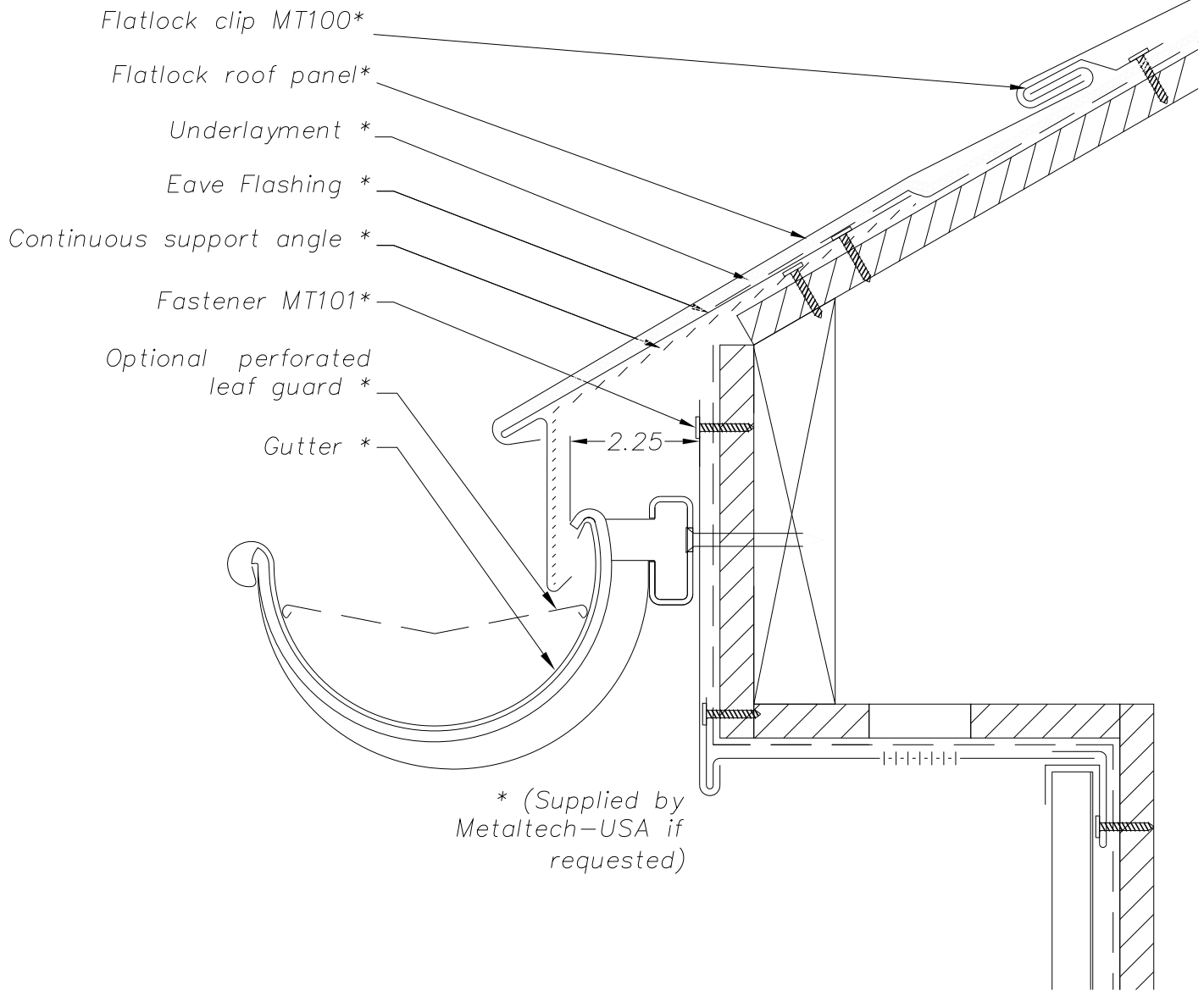


NOTE:  
 Information and details are only a baseline for system and installation. Modification to meet project requirement is the responsibility of the designer, architect and contractor. MetalTech-USA project staff are available to assist throughout the design and build process. © 2011 MetalTech-USA. All rights reserved.

UNLESS OTHERWISE SPECIFIED DIMENSIONS ARE IN INCHES	DRAWING NAME: HIP/RIDGE DETAIL – OPTION 3		REVISION NO: A	DATED CREATED: 1/2/2015
	DWG NO: MT_FLRP_1105		CHECKED BY: ESIMONSEN	APPROVED BY: ESIMONSEN
PROJECT NAME: RIDGE DETAILS				
SCALE: NTS		SHEET NO: 5 OF 5	SIZE: A	TOLERANCES: ANGULAR ±1° LINEAR ±0.06



611 Highway 74 South | Suite 900  
 Peachtree City, GA 30269  
 Phone: 770-486-8825 | 770-631-7689

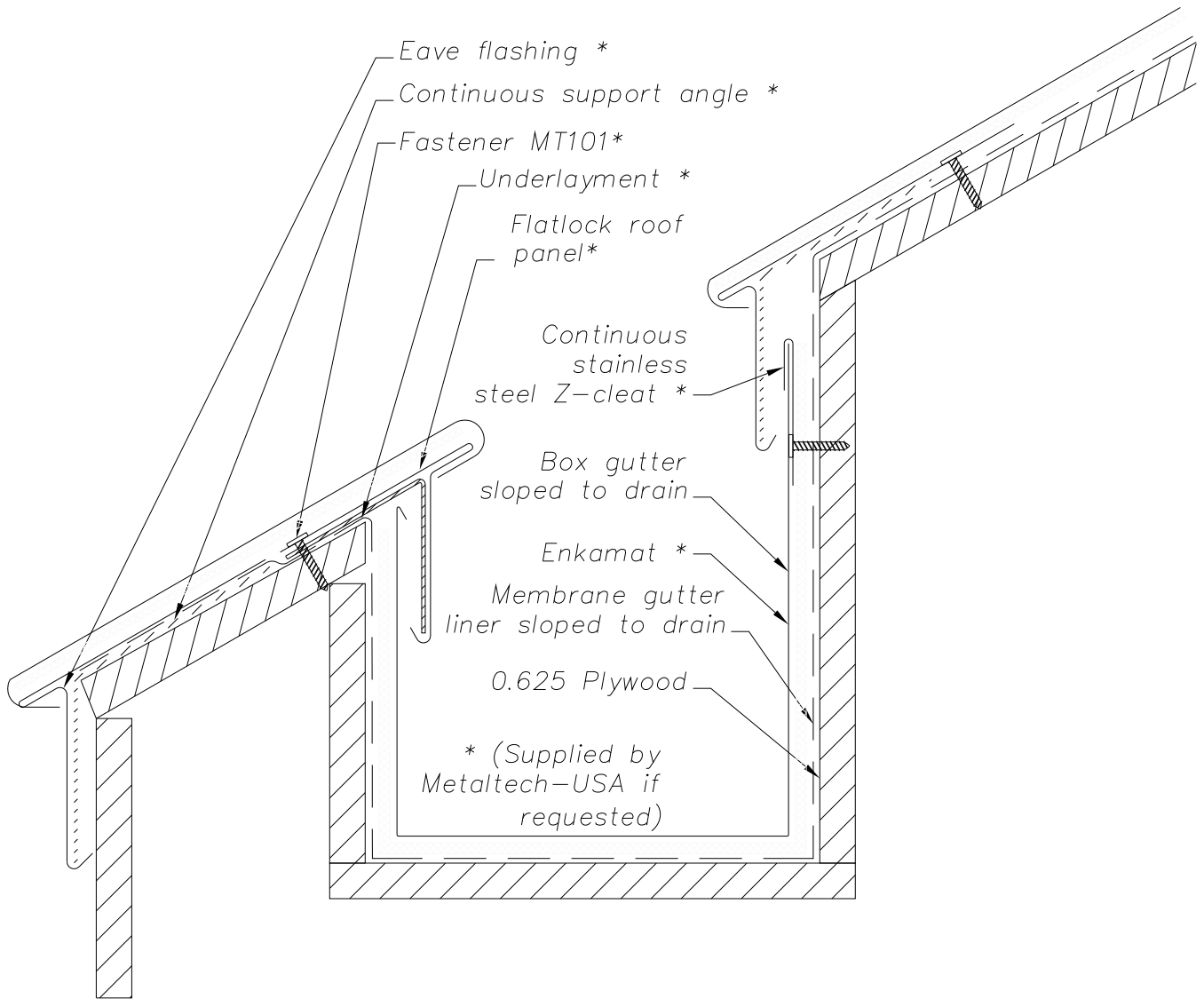


NOTE:  
 Information and details are only a baseline for system and installation. Modification to meet project requirement is the responsibility of the designer, architect and contractor. MetalTech-USA project staff are available to assist throughout the design and build process. © 2011 MetalTech-USA. All rights reserved.


UNLESS OTHERWISE SPECIFIED DIMENSIONS ARE IN INCHES	DRAWING NAME: EAVE SECTION DETAIL		REVISION NO: A	DATED CREATED: 1/2/2015
	DWG NO: MT_FLRP_1201		CHECKED BY: ESIMONSEN	APPROVED BY: ESIMONSEN
PROJECT NAME: EAVE DETAILS				
SCALE: NTS		SHEET NO: 1 OF 2	SIZE: A	TOLERANCES: ANGULAR ±1° LINEAR ±0.06

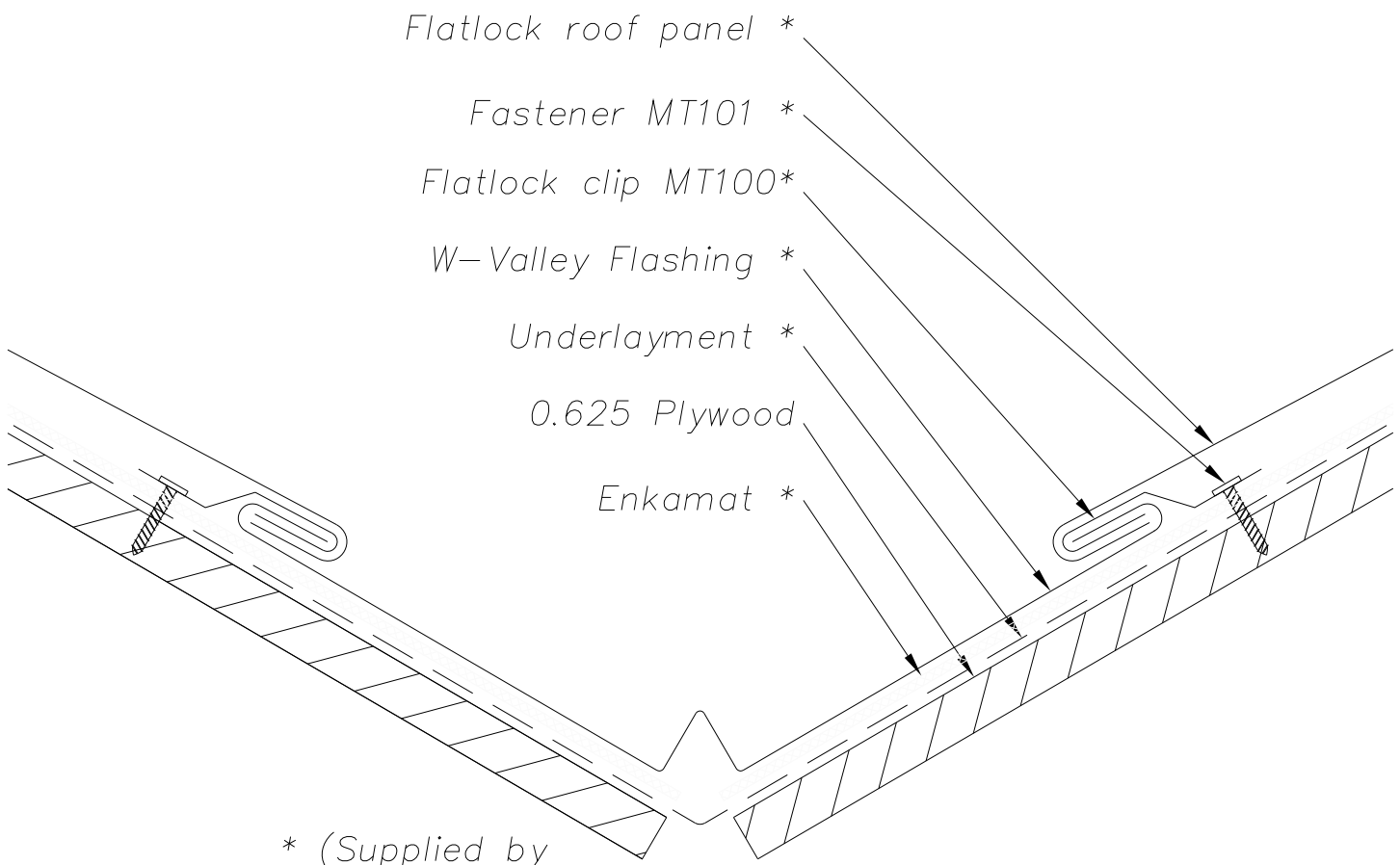


611 Highway 74 South | Suite 900  
 Peachtree City, GA 30269  
 Phone: 770-486-8825 | 770-631-7689



NOTE: Information and details are only a baseline for system and installation. Modification to meet project requirement is the responsibility of the designer, architect and contractor. MetalTech-USA project staff are available to assist throughout the design and build process. © 2011 MetalTech-USA. All rights reserved.

UNLESS OTHERWISE SPECIFIED DIMENSIONS ARE IN INCHES	DRAWING NAME: BUILT IN GUTTER DETAIL	REVISION NO: A	DATED CREATED: 1/2/2015
 Changing Ideas Into Sustainable Reality.™ 611 Highway 74 South   Suite 900 Peachtree City, GA 30269 Phone: 770-486-8825   770-631-7689	DWG NO: MT_FLRP_1202	CHECKED BY: ESIMONSEN	APPROVED BY: ESIMONSEN
	PROJECT NAME: EAVE DETAILS	SCALE: NTS	SHEET NO: 2 OF 2
	SIZE: A	TOLERANCES: ANGULAR ±1° LINEAR ±0.06	



Flatlock roof panel \*

Fastener MT101 \*

Flatlock clip MT100\*

W-Valley Flashing \*

Underlayment \*

0.625 Plywood

Enkamat \*

\* (Supplied by  
Metaltech-USA if  
requested)

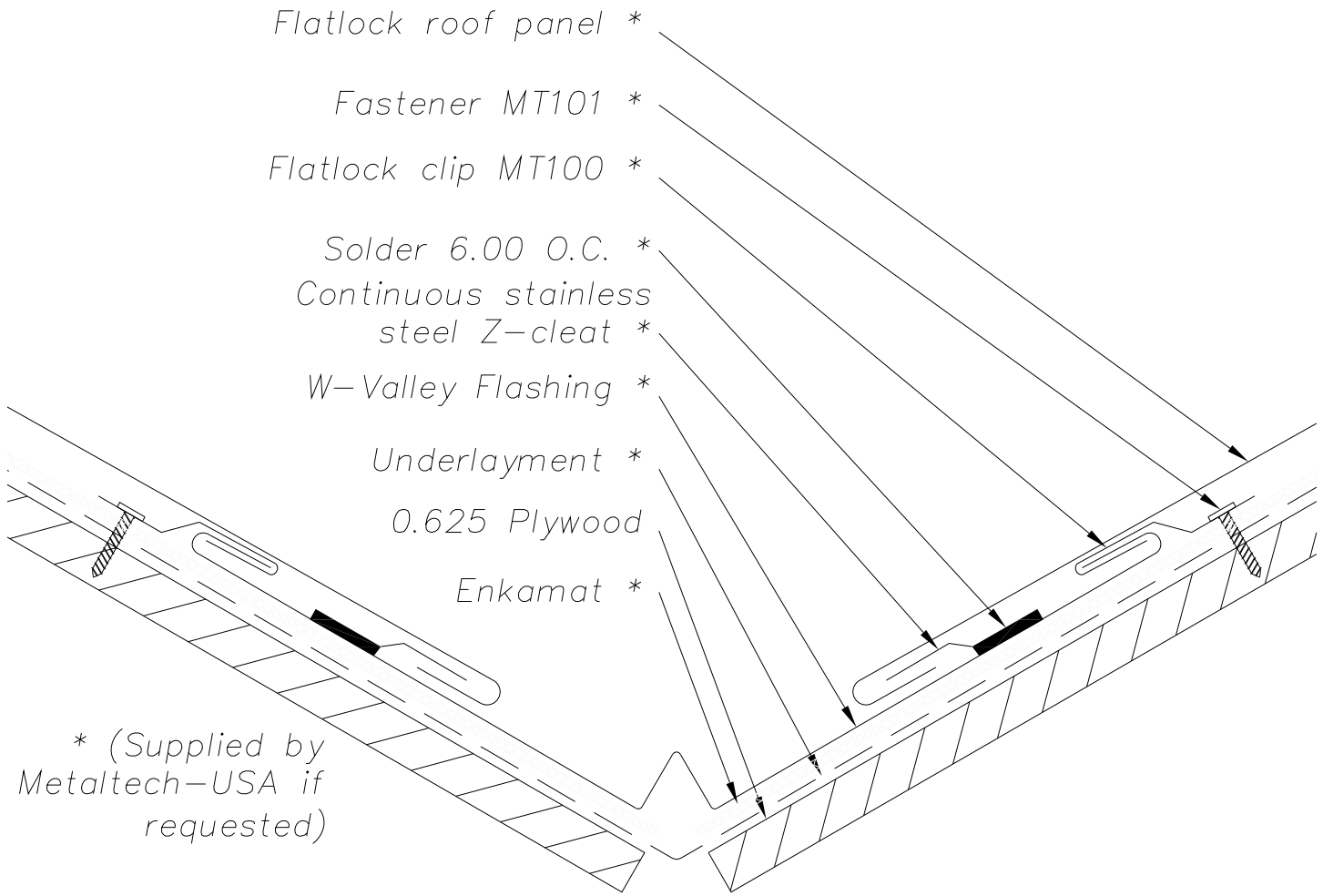
NOTE:  
Information and details are only a baseline for system and installation. Modification to meet project requirement is the responsibility of the designer, architect and contractor. MetalTech-USA project staff are available to assist throughout the design and build process. © 2011 MetalTech-USA. All rights reserved.

UNLESS OTHERWISE SPECIFIED DIMENSIONS ARE IN INCHES	DRAWING NAME: VALLEY DETAIL - OPTION 1		REVISION NO: A	DATED CREATED: 1/2/2015
	DWG NO: MT_FLRP_1301		CHECKED BY: ESIMONSEN	APPROVED BY: ESIMONSEN
PROJECT NAME: VALLEY DETAILS				
SCALE: NTS		SHEET NO: 1 OF 2	SIZE: A	TOLERANCES: ANGULAR ±1° LINEAR ±0.06



**MetalTech-USA**  
Changing Ideas Into Sustainable Reality.™  
611 Highway 74 South | Suite 900  
Peachtree City, GA 30269  
Phone: 770-486-8825 | 770-631-7689




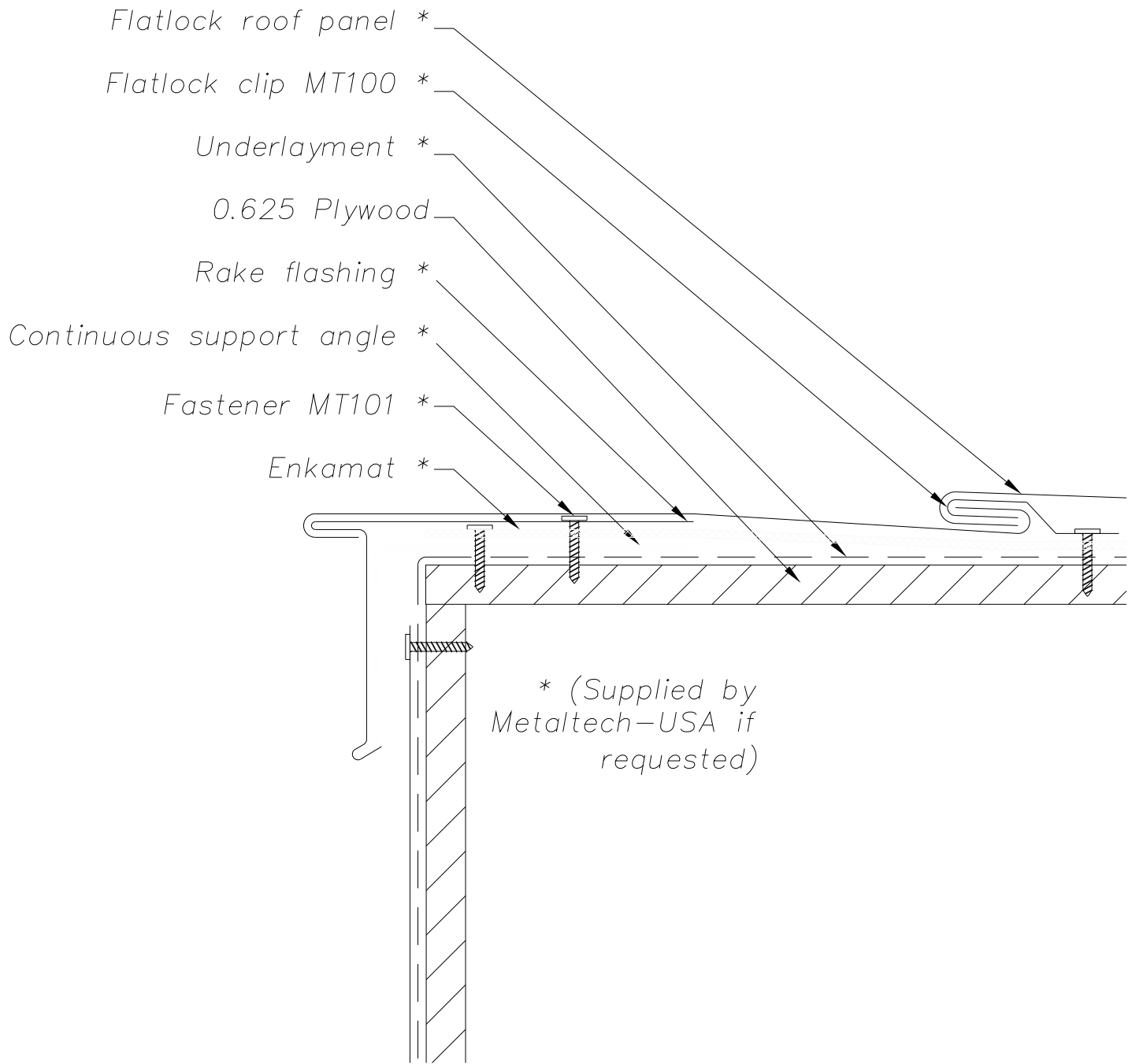


- Flatlock roof panel \*
- Fastener MT101 \*
- Flatlock clip MT100 \*
- Solder 6.00 O.C. \*
- Continuous stainless steel Z-cleat \*
- W-Valley Flashing \*
- Underlayment \*
- 0.625 Plywood
- Enkamat \*

\* (Supplied by Metaltech-USA if requested)

NOTE: Information and details are only a baseline for system and installation. Modification to meet project requirement is the responsibility of the designer, architect and contractor. MetalTech-USA project staff are available to assist throughout the design and build process. © 2011 MetalTech-USA. All rights reserved.

UNLESS OTHERWISE SPECIFIED DIMENSIONS ARE IN INCHES   <b>MetalTech-USA</b> Changing Ideas Into Sustainable Reality.™  611 Highway 74 South   Suite 900 Peachtree City, GA 30269 Phone: 770-486-8825   770-631-7689	DRAWING NAME: VALLEY DETAIL - OPTION 2		REVISION NO: A	DATED CREATED: 1/2/2015
	DWG NO: MT_FLRP_1302		CHECKED BY: ESIMONSEN	APPROVED BY: ESIMONSEN
PROJECT NAME: VALLEY DETAILS				
SCALE: NTS	SHEET NO: 2 OF 2	SIZE: A	TOLERANCES: ANGULAR ±1° LINEAR ±0.06	

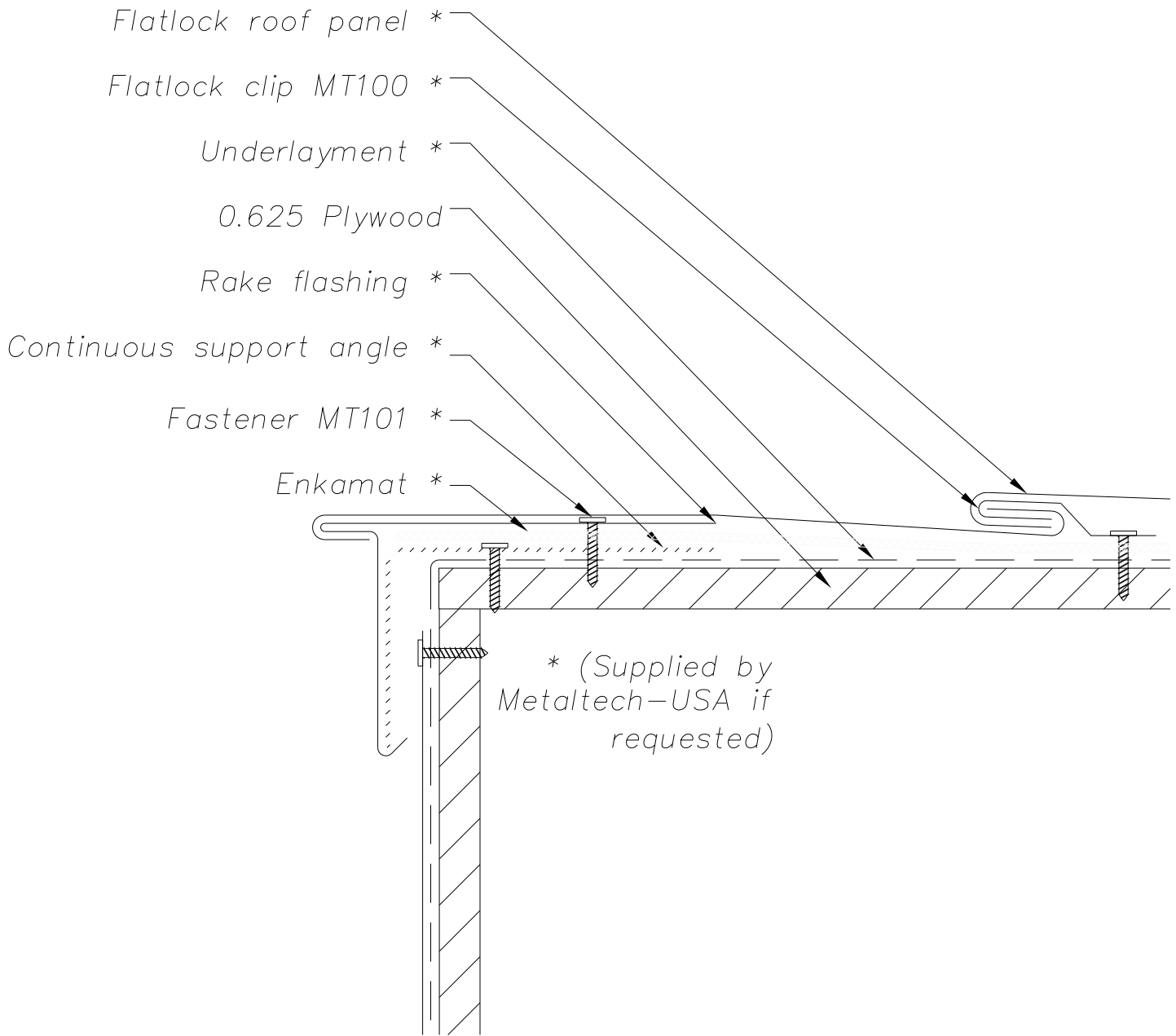


NOTE:  
 Information and details are only a baseline for system and installation. Modification to meet project requirement is the responsibility of the designer, architect and contractor. MetalTech-USA project staff are available to assist throughout the design and build process. © 2011 MetalTech-USA. All rights reserved.

UNLESS OTHERWISE SPECIFIED DIMENSIONS ARE IN INCHES	DRAWING NAME: RAKE EDGE - OPTION 1		REVISION NO: A	DATED CREATED: 1/2/2015
	DWG NO: MT_FLRP_1401		CHECKED BY: ESIMONSEN	APPROVED BY: ESIMONSEN
PROJECT NAME: RAKE DETAILS				
SCALE: NTS		SHEET NO: 1 OF 4	SIZE: A	TOLERANCES: ANGULAR $\pm 1'$ LINEAR $\pm 0.06$



611 Highway 74 South | Suite 900  
 Peachtree City, GA 30269  
 Phone: 770-486-8825 | 770-631-7689



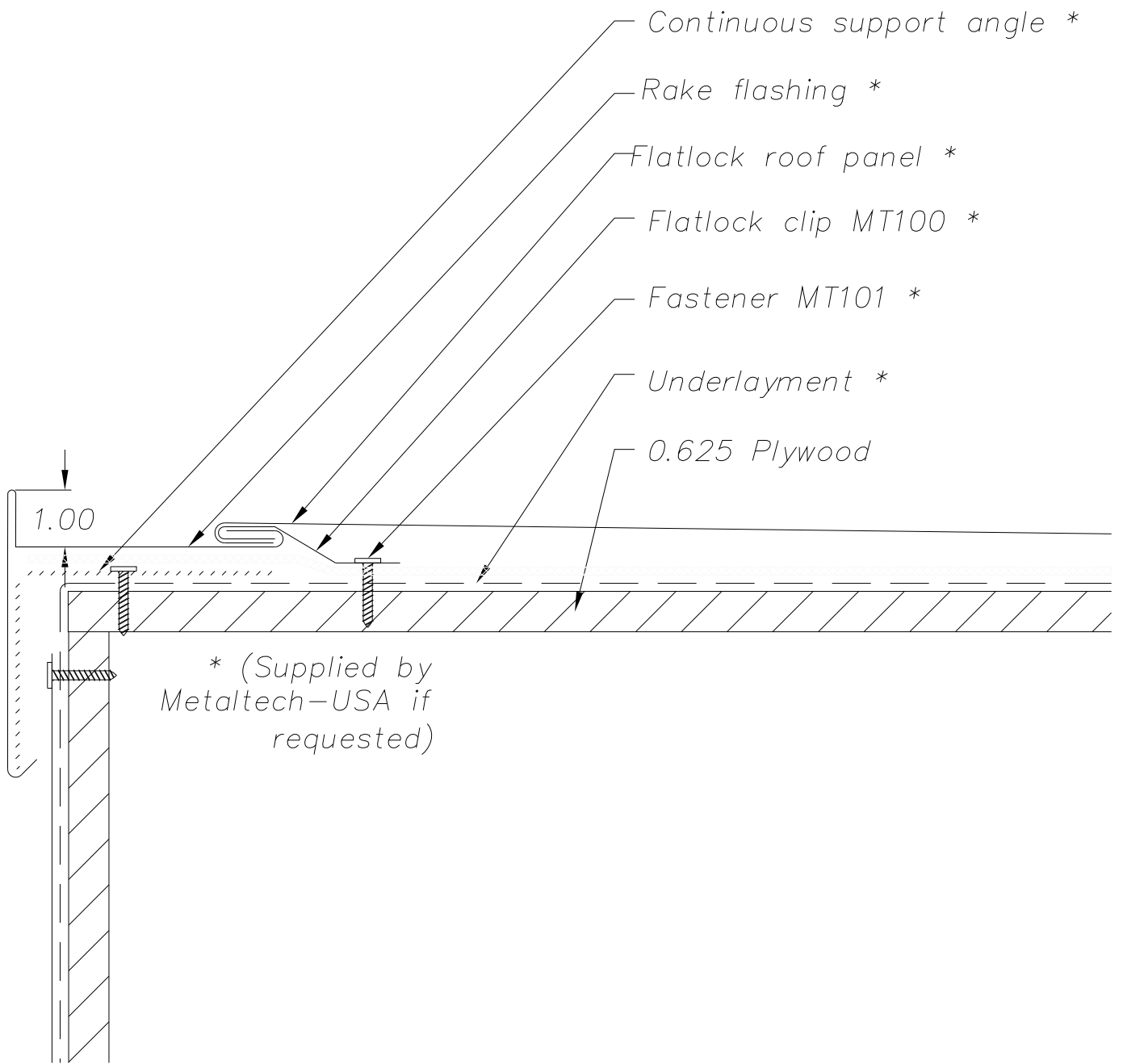
NOTE:  
 Information and details are only a baseline for system and installation. Modification to meet project requirement is the responsibility of the designer, architect and contractor. MetalTech-USA project staff are available to assist throughout the design and build process. © 2011 MetalTech-USA. All rights reserved.

UNLESS OTHERWISE SPECIFIED DIMENSIONS ARE IN INCHES	DRAWING NAME: RAKE EDGE - OPTION 2		REVISION NO: A	DATED CREATED: 1/2/2015
	DWG NO: MT_FLRP_1402		CHECKED BY: ESIMONSEN	APPROVED BY: ESIMONSEN
PROJECT NAME: RAKE DETAILS				
SCALE: NTS		SHEET NO: 2 OF 4	SIZE: A	TOLERANCES: ANGULAR ±1° LINEAR ±0.06



Changing Ideas Into Sustainable Reality.™

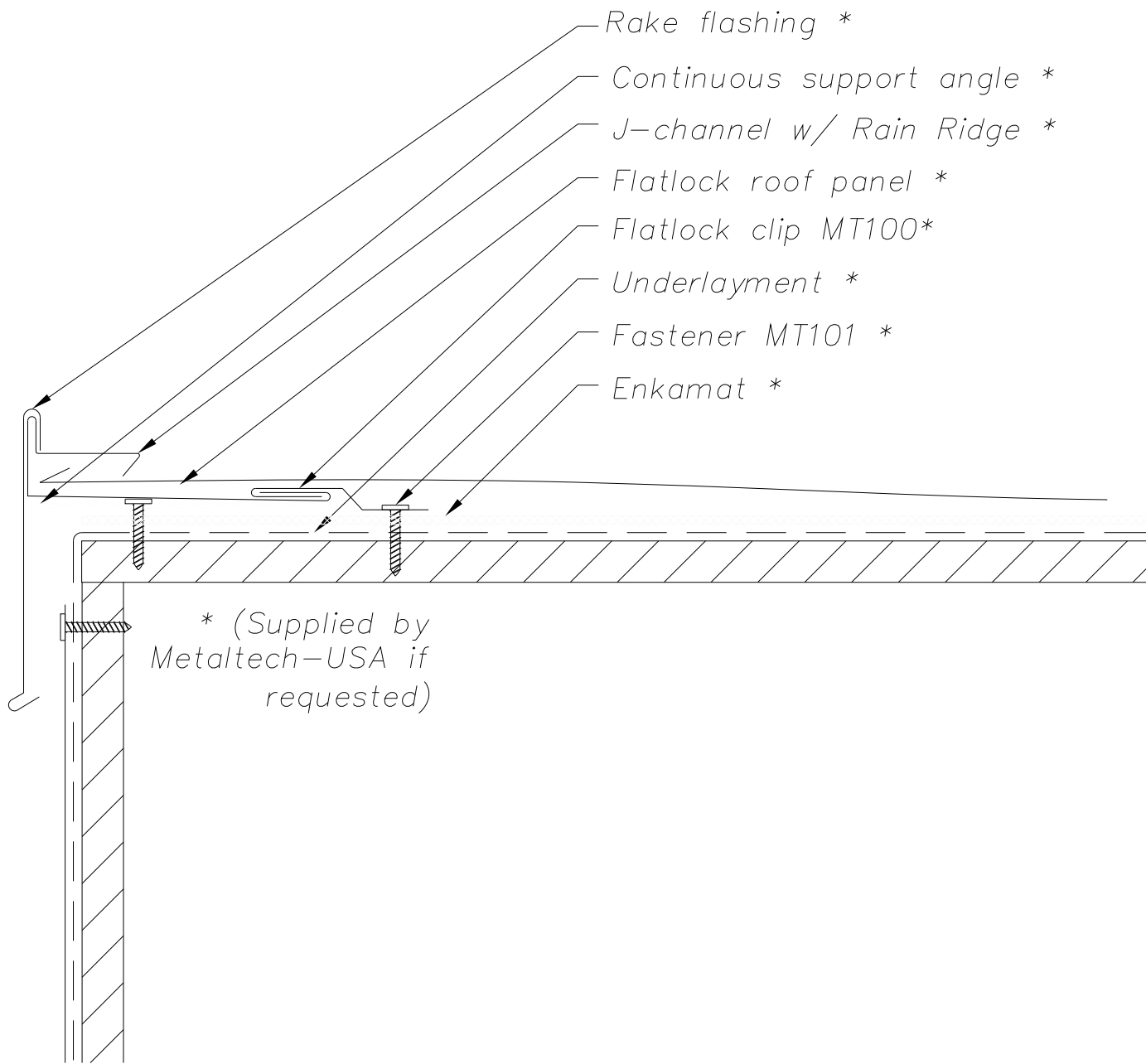
611 Highway 74 South | Suite 900  
 Peachtree City, GA 30269  
 Phone: 770-486-8825 | 770-631-7689




NOTE:  
 Information and details are only a baseline for system and installation. Modification to meet project requirement is the responsibility of the designer, architect and contractor. MetalTech-USA project staff are available to assist throughout the design and build process. © 2011 MetalTech-USA. All rights reserved.

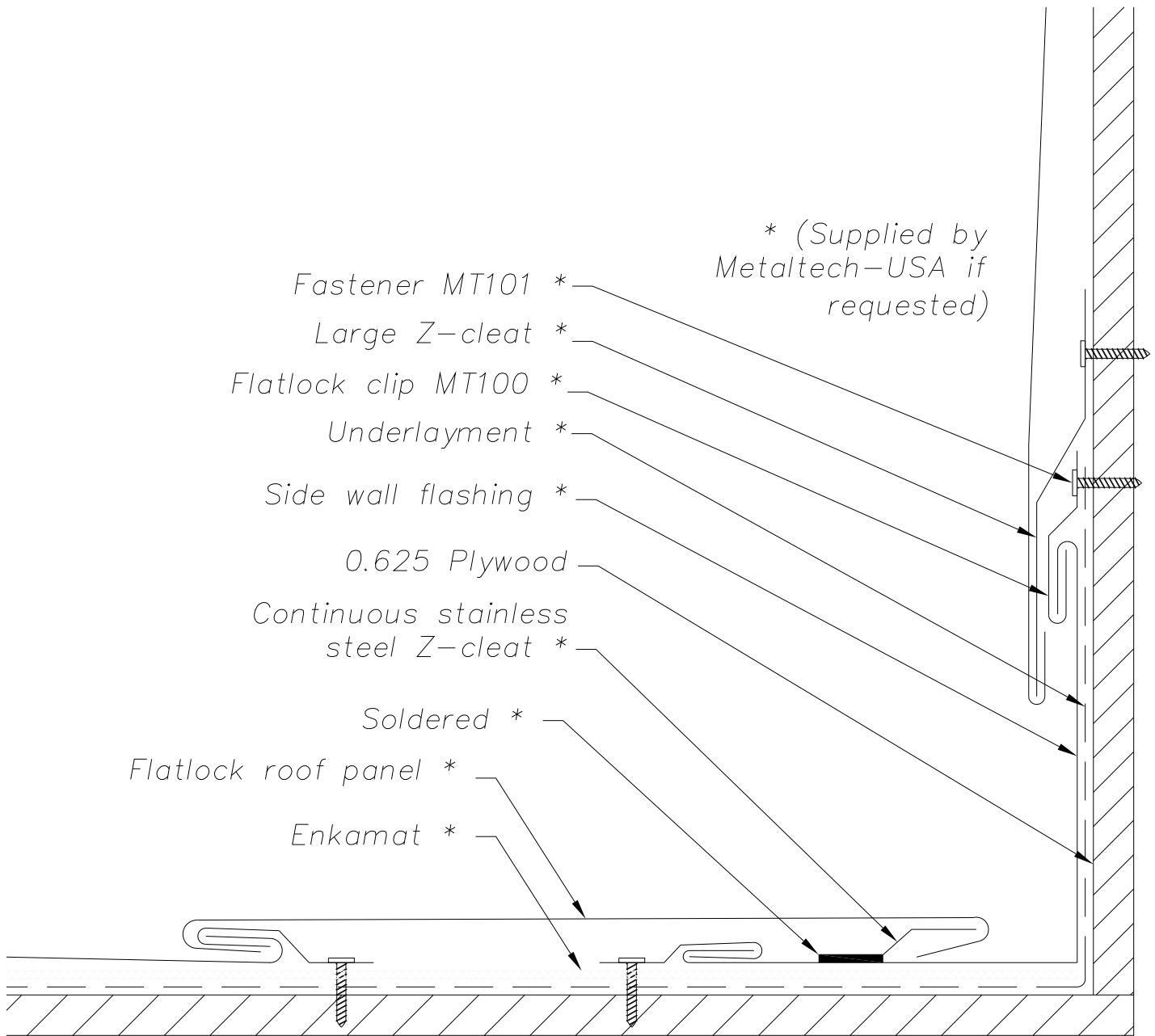
UNLESS OTHERWISE SPECIFIED DIMENSIONS ARE IN INCHES	DRAWING NAME: RAKE EDGE - OPTION 3		REVISION NO: A	DATED CREATED: 1/2/2015
	DWG NO: MT_FLRP_1403		CHECKED BY: ESIMONSEN	APPROVED BY: APPROVEDBY
PROJECT NAME: RAKE DETAILS				
SCALE: NTS		SHEET NO: 3 OF 4	SIZE: A	TOLERANCES: ANGULAR ±1° LINEAR ±0.06


**MetalTech-USA**  
 Changing Ideas Into Sustainable Reality.™  
 611 Highway 74 South | Suite 900  
 Peachtree City, GA 30269  
 Phone: 770-486-8825 | 770-631-7689



NOTE:  
 Information and details are only a baseline for system and installation. Modification to meet project requirement is the responsibility of the designer, architect and contractor. MetalTech-USA project staff are available to assist throughout the design and build process. © 2011 MetalTech-USA. All rights reserved.

UNLESS OTHERWISE SPECIFIED DIMENSIONS ARE IN INCHES	DRAWING NAME: RAKE EDGE - OPTION 4	REVISION NO: A	DATED CREATED: 1/2/2015
 Changing Ideas Into Sustainable Reality.™	DWG NO: MT_FLRP_1404	CHECKED BY: ESIMONSEN	APPROVED BY: ESIMONSEN
611 Highway 74 South   Suite 900 Peachtree City, GA 30269 Phone: 770-486-8825   770-631-7689	PROJECT NAME: RAKE DETAILS	SCALE: NTS	SHEET NO: 4 OF 4
SIZE: A	TOLERANCES: ANGULAR ±1° LINEAR ±0.06		



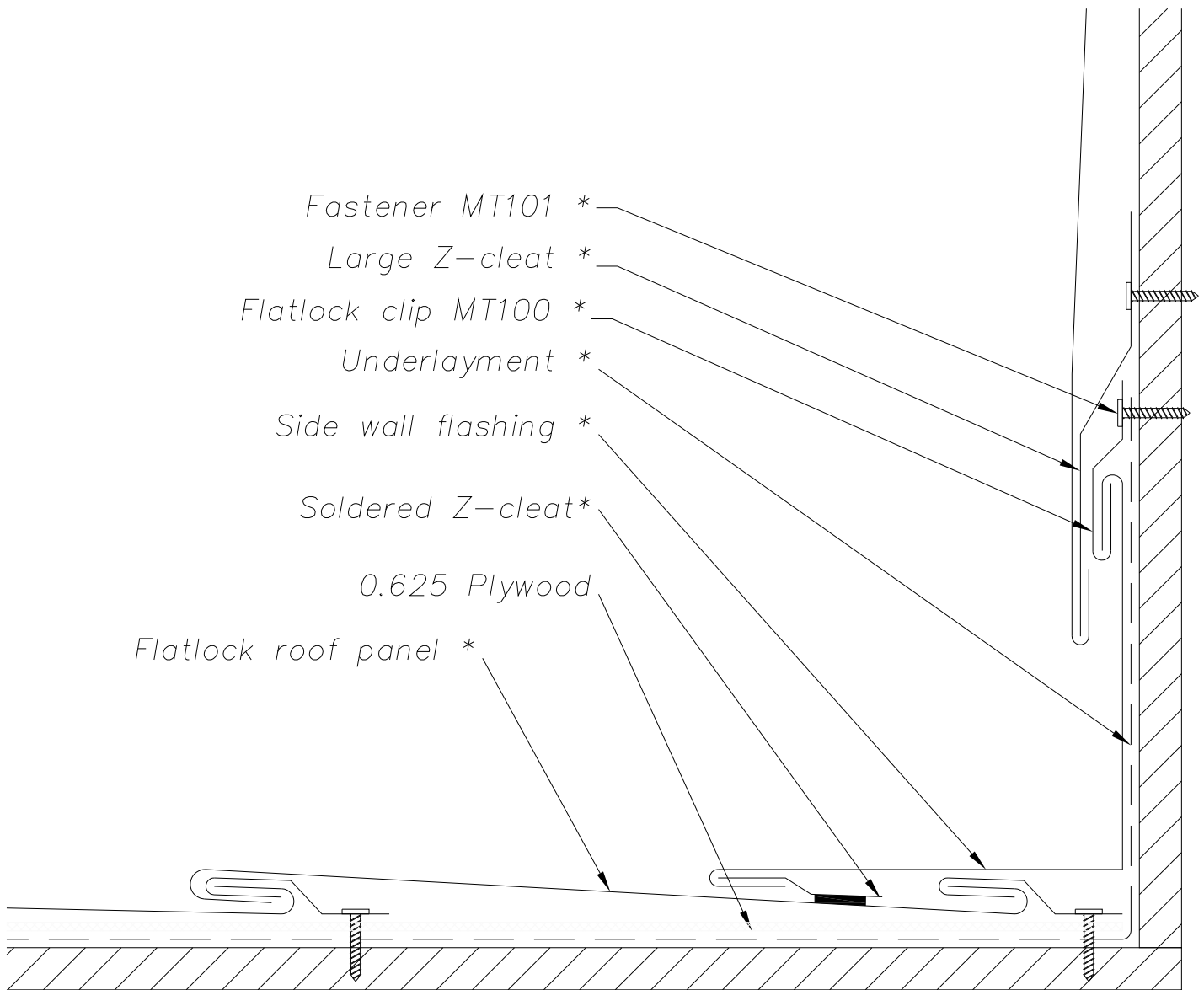
NOTE:  
 Information and details are only a baseline for system and installation. Modification to meet project requirement is the responsibility of the designer, architect and contractor. MetalTech-USA project staff are available to assist throughout the design and build process. © 2011 MetalTech-USA. All rights reserved.

UNLESS OTHERWISE SPECIFIED DIMENSIONS ARE IN INCHES	DRAWING NAME: SIDE WALL - OPTION 1		REVISION NO: A	DATED CREATED: 1/2/2015
	DWG NO: MT_FLRP_1501		CHECKED BY: ESIMONSEN	APPROVED BY: ESIMONSEN
PROJECT NAME: WALL DETAILS				
SCALE: NTS		SHEET NO: 1 OF 5	SIZE: A	TOLERANCES: ANGULAR $\pm 1'$ LINEAR $\pm 0.06$




Changing Ideas Into Sustainable Reality.™

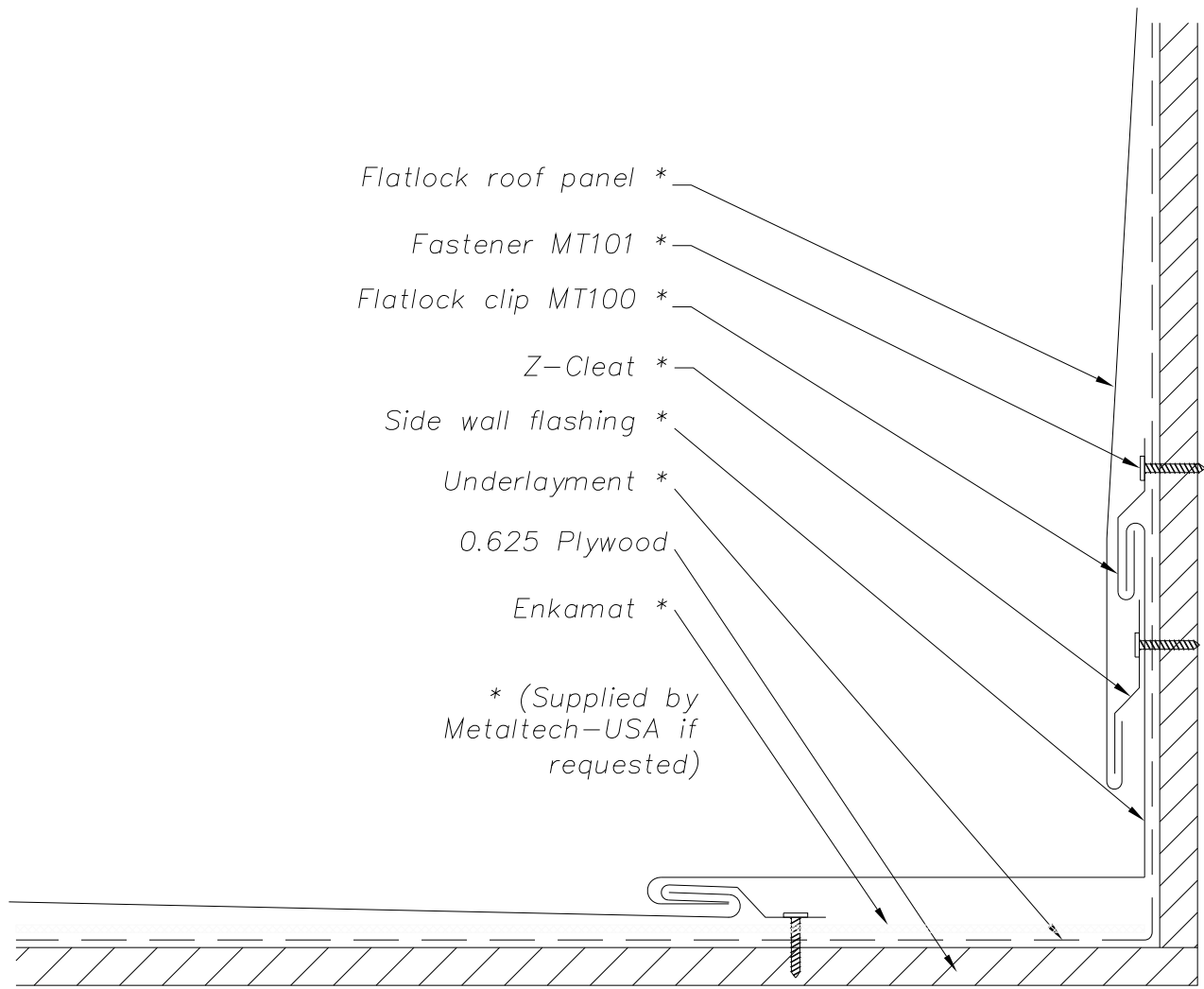
611 Highway 74 South | Suite 900  
 Peachtree City, GA 30269  
 Phone: 770-486-8825 | 770-631-7689



\* (Supplied by  
Metaltech-USA if  
requested)

NOTE:  
Information and details are only a baseline for system and installation. Modification to meet project requirement is the responsibility of the designer, architect and contractor. MetalTech-USA project staff are available to assist throughout the design and build process. © 2011 MetalTech-USA. All rights reserved.

UNLESS OTHERWISE SPECIFIED DIMENSIONS ARE IN INCHES	DRAWING NAME: SIDE WALL - OPTION 2	REVISION NO: A	DATED CREATED: 1/2/2015
 <b>MetalTech-USA</b> Changing Ideas Into Sustainable Reality.™ 611 Highway 74 South   Suite 900 Peachtree City, GA 30269 Phone: 770-486-8825   770-631-7689	DWG NO: MT_FLRP_1502	CHECKED BY: ESIMONSEN	APPROVED BY: ESIMONSEN
	PROJECT NAME: WALL DETAILS		
	SCALE: NTS	SHEET NO: 2 OF 5	SIZE: A  TOLERANCES: ANGULAR ±1° LINEAR ±0.06



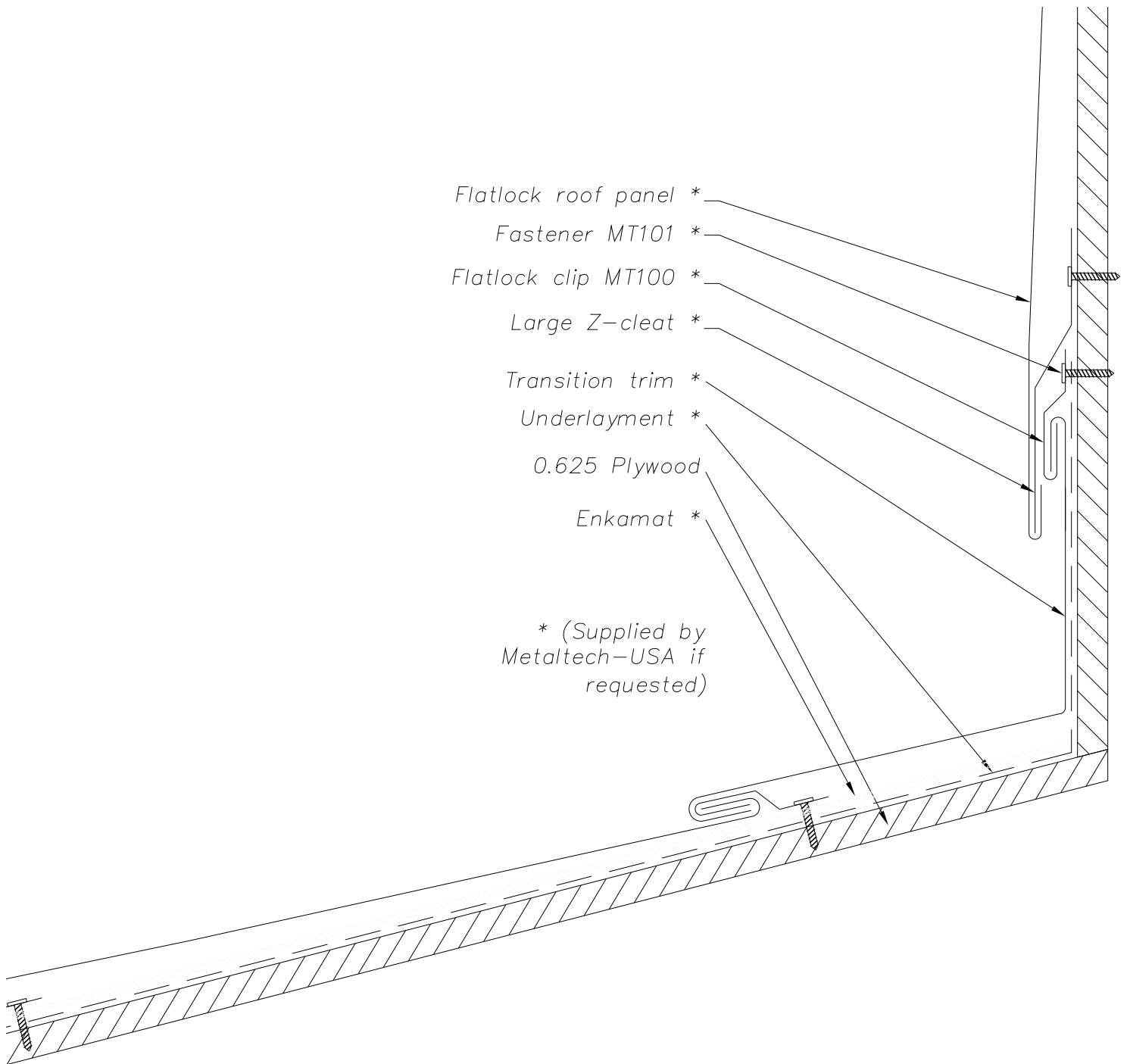
- Flatlock roof panel \*
  - Fastener MT101 \*
  - Flatlock clip MT100 \*
  - Z-Cleat \*
  - Side wall flashing \*
  - Underlayment \*
  - 0.625 Plywood
  - Enkamat \*
- \* (Supplied by Metaltech-USA if requested)

NOTE:  
 Information and details are only a baseline for system and installation. Modification to meet project requirement is the responsibility of the designer, architect and contractor. MetalTech-USA project staff are available to assist throughout the design and build process. © 2011 MetalTech-USA. All rights reserved.

UNLESS OTHERWISE SPECIFIED DIMENSIONS ARE IN INCHES	DRAWING NAME: SIDE WALL - OPTION 3		REVISION NO: A	DATED CREATED: 1/2/2015
	DWG NO: MT_FLRP_1503		CHECKED BY: ESIMONSEN	APPROVED BY: ESIMONSEN
PROJECT NAME: WALL DETAILS				
SCALE: NTS		SHEET NO: 3 OF 5	SIZE: A	TOLERANCES: ANGULAR ±1' LINEAR ±0.06

**MetalTech-USA**  
 Changing Ideas Into Sustainable Reality.™  
 611 Highway 74 South | Suite 900  
 Peachtree City, GA 30269  
 Phone: 770-486-8825 | 770-631-7689



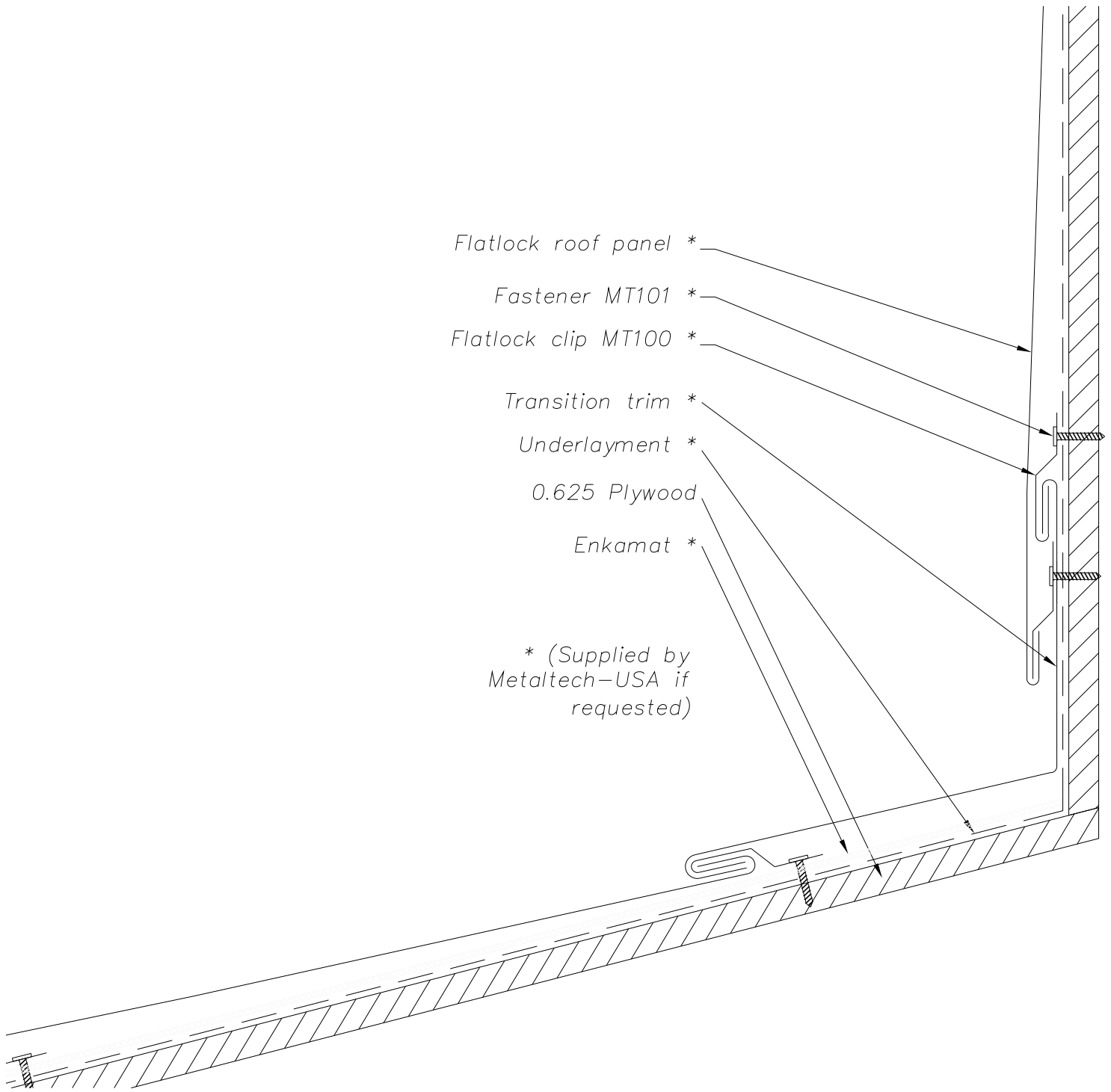


NOTE:  
 Information and details are only a baseline for system and installation. Modification to meet project requirement is the responsibility of the designer, architect and contractor. MetalTech-USA project staff are available to assist throughout the design and build process. © 2011 MetalTech-USA. All rights reserved.

UNLESS OTHERWISE SPECIFIED DIMENSIONS ARE IN INCHES	DRAWING NAME: ROOF TO WALL TRANSITION – OPTION 1		REVISION NO: A	DATED CREATED: 1/2/2015
	DWG NO: MT_FLRP_1504		CHECKED BY: ESIMONSEN	APPROVED BY: ESIMONSEN
PROJECT NAME: WALL DETAILS				
SCALE: NTS		SHEET NO: 4 OF 5	SIZE: A	TOLERANCES: ANGULAR ±1° LINEAR ±0.06



611 Highway 74 South | Suite 900  
 Peachtree City, GA 30269  
 Phone: 770-486-8825 | 770-631-7689



Flatlock roof panel \*

Fastener MT101 \*

Flatlock clip MT100 \*

Transition trim \*

Underlayment \*

0.625 Plywood

Enkamat \*

\* (Supplied by  
Metaltech-USA if  
requested)

NOTE:  
Information and details are only a baseline for system and installation. Modification to meet project requirement is the responsibility of the designer, architect and contractor. MetalTech-USA project staff are available to assist throughout the design and build process. © 2011 MetalTech-USA. All rights reserved.

UNLESS OTHERWISE SPECIFIED  
DIMENSIONS ARE IN INCHES

DRAWING NAME:  
ROOF TO WALL TRANSITION - OPTION 2

REVISION NO:  
A

DATED CREATED:  
1/2/2015



611 Highway 74 South | Suite 900  
Peachtree City, GA 30269  
Phone: 770-486-8825 | 770-631-7689

DWG NO:  
MT\_FLRP\_1505

CHECKED BY:  
ESIMONSEN

APPROVED BY:  
ESIMONSEN

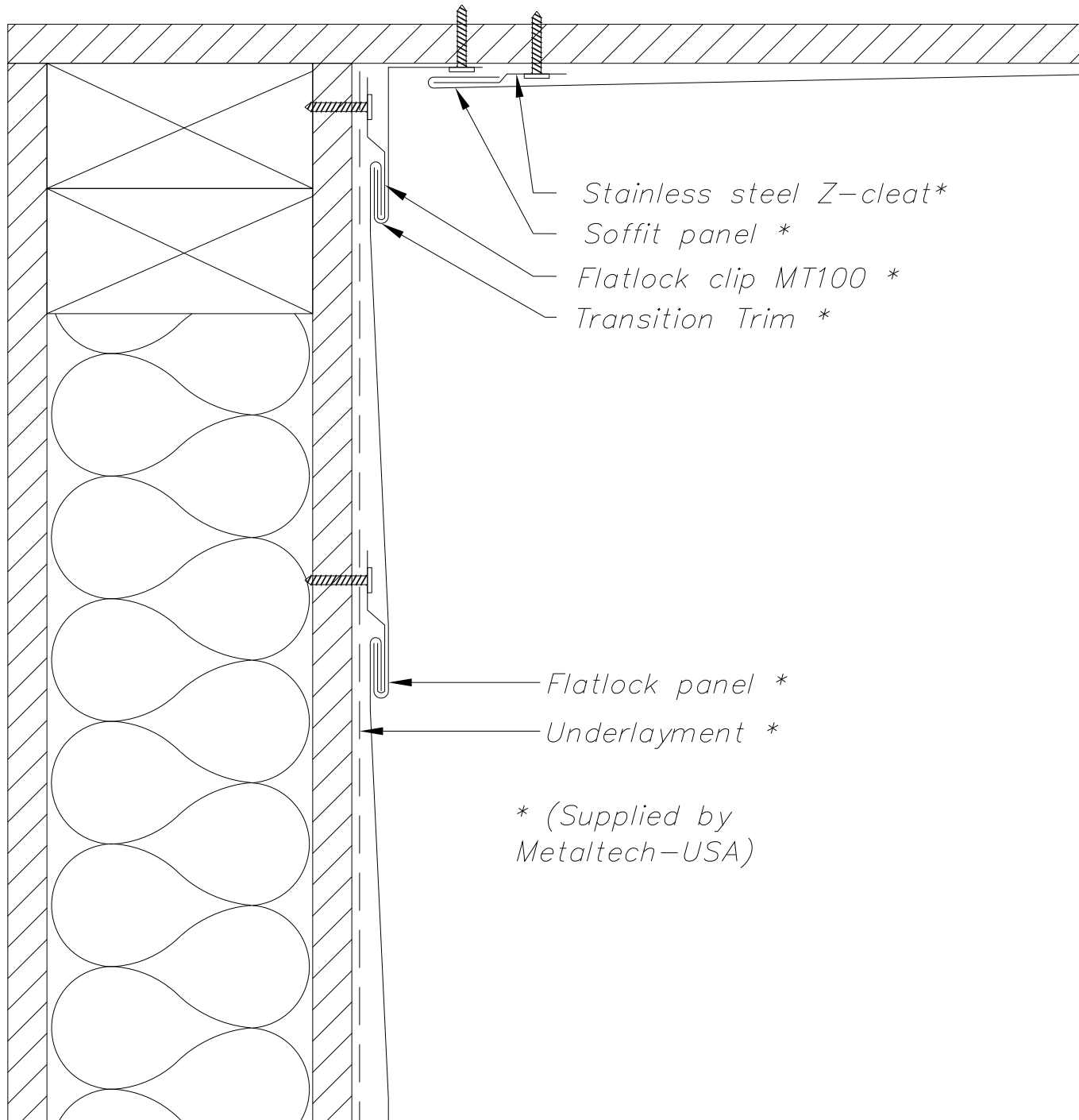
PROJECT NAME:  
WALL DETAILS

SCALE:  
NTS

SHEET NO:  
5 OF 5

SIZE:  
A

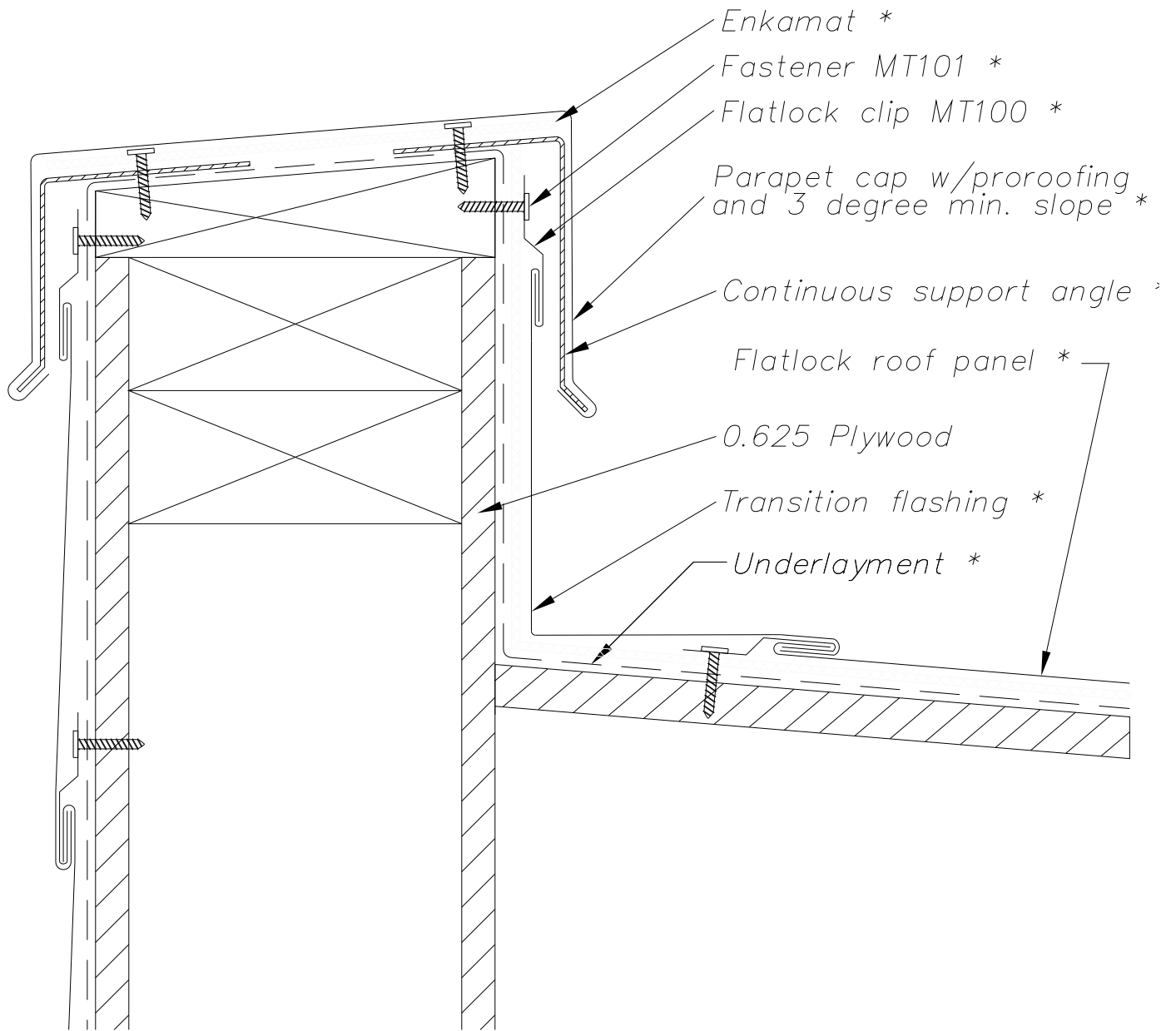
TOLERANCES:  
ANGULAR ±1° LINEAR ±0.06




NOTE: Information and details are only a baseline for system and installation. Modification to meet project requirement is the responsibility of the designer, architect and contractor. MetalTech-USA project staff are available to assist throughout the design and build process. © 2011 MetalTech-USA. All rights reserved.

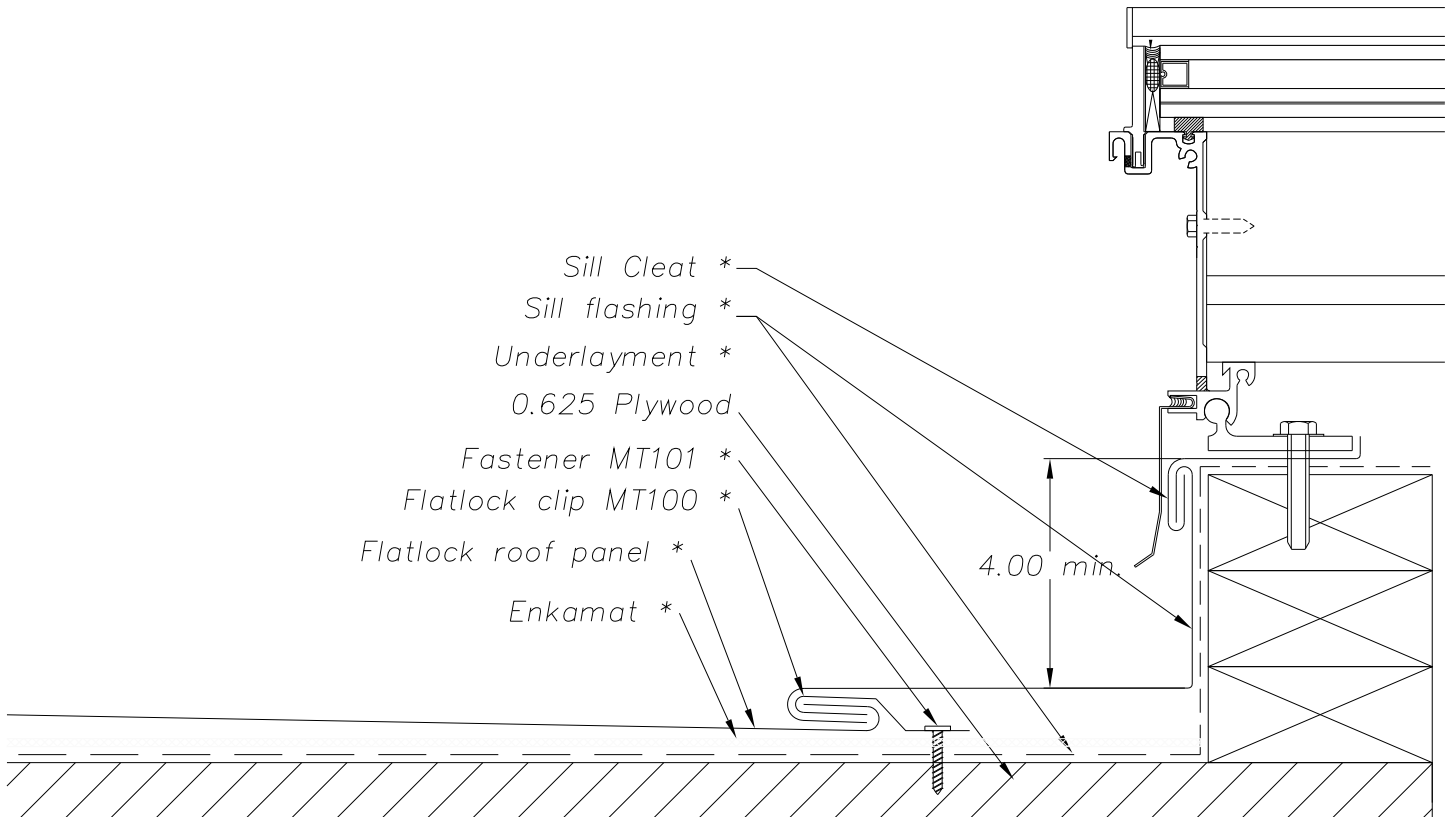
UNLESS OTHERWISE SPECIFIED DIMENSIONS ARE IN INCHES	DRAWING NAME: WALL TO SOFFIT TRANSITION		REVISION NO: A	DATED CREATED: 1/2/2015
	DWG NO: MT_FLRP_1601		CHECKED BY: ESIMONSEN	APPROVED BY: ESIMONSEN
PROJECT NAME: SOFFIT DETAILS				
SCALE: NTS		SHEET NO: 1 OF 1	SIZE: A	TOLERANCES: ANGULAR ±1° LINEAR ±0.06


**MetalTech-USA**  
 Changing Ideas Into Sustainable Reality.™  
 611 Highway 74 South | Suite 900  
 Peachtree City, GA 30269  
 Phone: 770-486-8825 | 770-631-7689




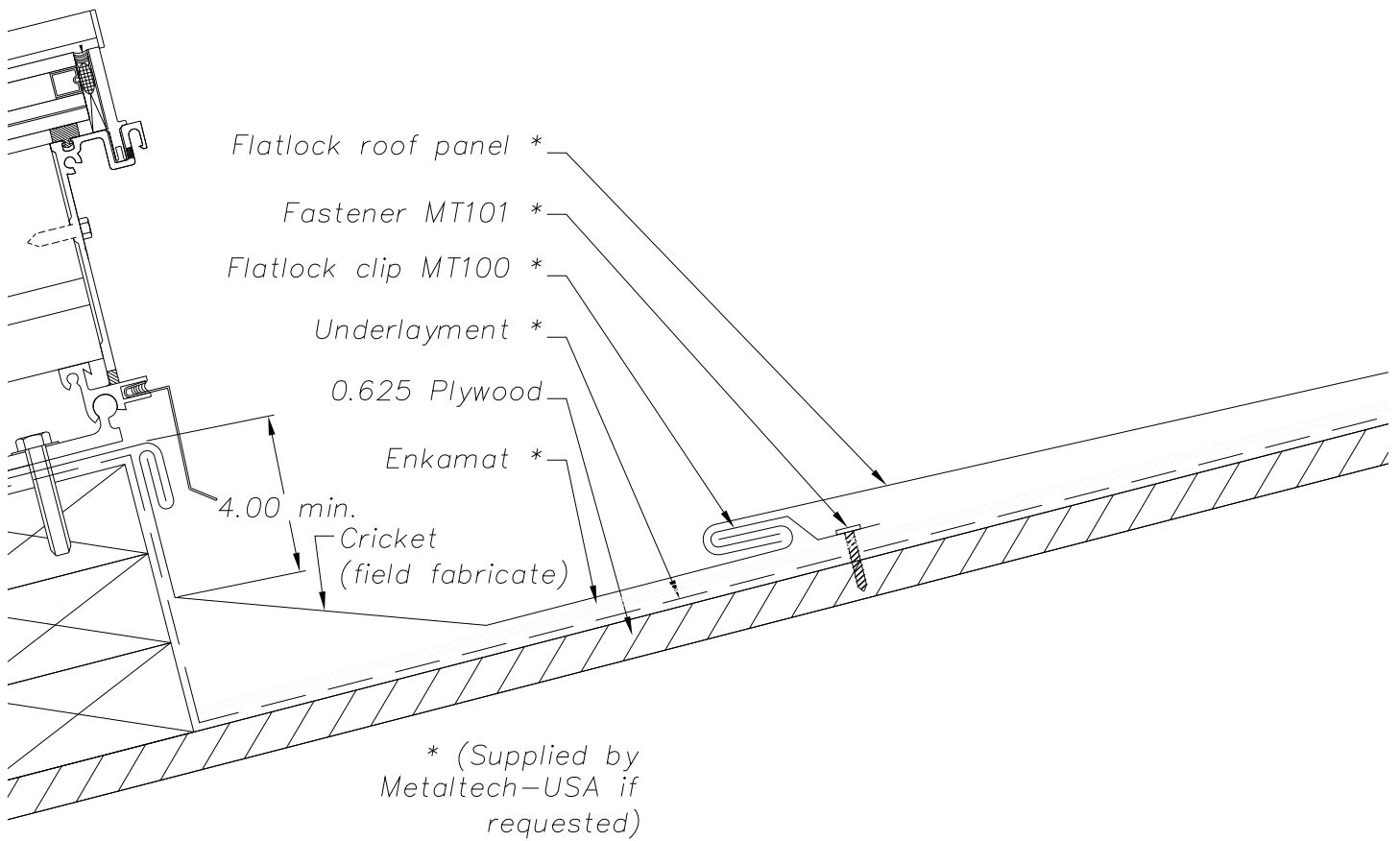
NOTE:  
 Information and details are only a baseline for system and installation. Modification to meet project requirement is the responsibility of the designer, architect and contractor. MetalTech-USA project staff are available to assist throughout the design and build process. © 2011 MetalTech-USA. All rights reserved.

UNLESS OTHERWISE SPECIFIED DIMENSIONS ARE IN INCHES	DRAWING NAME: PARAPET DETAIL – OPTION 1	REVISION NO: A	DATED CREATED: 1/2/2015
 Changing Ideas Into Sustainable Reality.™ 611 Highway 74 South   Suite 900 Peachtree City, GA 30269 Phone: 770-486-8825   770-631-7689	DWG NO: MT_FLRP_1701	CHECKED BY: ESIMONSEN	APPROVED BY: ESIMONSEN
	PROJECT NAME: PARAPET DETAILS		
SCALE: NTS	SHEET NO: 1 OF 1	SIZE: A	TOLERANCES: ANGULAR ±1° LINEAR ±0.06



NOTE:  
 Information and details are only a baseline for system and installation. Modification to meet project requirement is the responsibility of the designer, architect and contractor. MetalTech-USA project staff are available to assist throughout the design and build process. © 2011 MetalTech-USA. All rights reserved.

UNLESS OTHERWISE SPECIFIED DIMENSIONS ARE IN INCHES	DRAWING NAME: SKYLIGHT JAMB DETAIL	REVISION NO: A	DATED CREATED: 1/2/2015
 Changing Ideas Into Sustainable Reality.™ 611 Highway 74 South   Suite 900 Peachtree City, GA 30269 Phone: 770-486-8825   770-631-7689	DWG NO: MT_FLRP_1801	CHECKED BY: ESIMONSEN	APPROVED BY: ESIMONSEN
	PROJECT NAME: SKYLIGHT DETAILS		
SCALE: NTS	SHEET NO: 1 OF 3	SIZE: A	TOLERANCES: ANGULAR ±1° LINEAR ±0.06



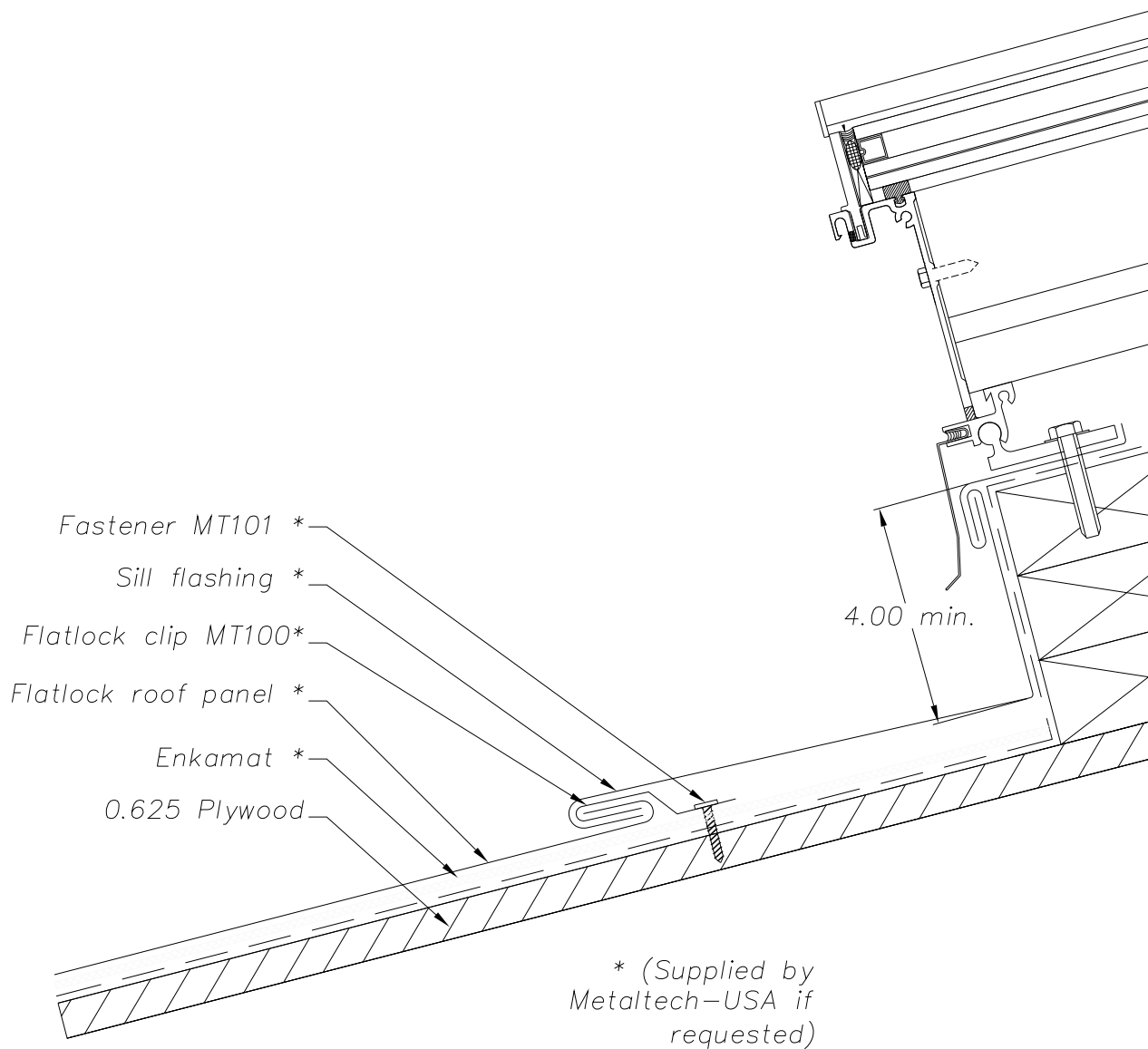
NOTE:  
Information and details are only a baseline for system and installation. Modification to meet project requirement is the responsibility of the designer, architect and contractor. MetalTech-USA project staff are available to assist throughout the design and build process. © 2011 MetalTech-USA. All rights reserved.

<p>UNLESS OTHERWISE SPECIFIED DIMENSIONS ARE IN INCHES</p>	<p>DRAWING NAME: SKYLIGHT HEAD DETAIL</p>		<p>REVISION NO: A</p>	<p>DATED CREATED: 1/2/2015</p>
	<p>DWG NO: MT_FLRP_1802</p>		<p>CHECKED BY: ESIMONSEN</p>	<p>APPROVED BY: ESIMONSEN</p>
<p>PROJECT NAME: SKYLIGHT DETAILS</p>				
<p>SCALE: NTS</p>		<p>SHEET NO: 2 OF 3</p>	<p>SIZE: A</p>	<p>TOLERANCES: ANGULAR ±1° LINEAR ±0.06</p>



Changing Ideas Into Sustainable Reality.™

611 Highway 74 South | Suite 900  
Peachtree City, GA 30269  
Phone: 770-486-8825 | 770-631-7889



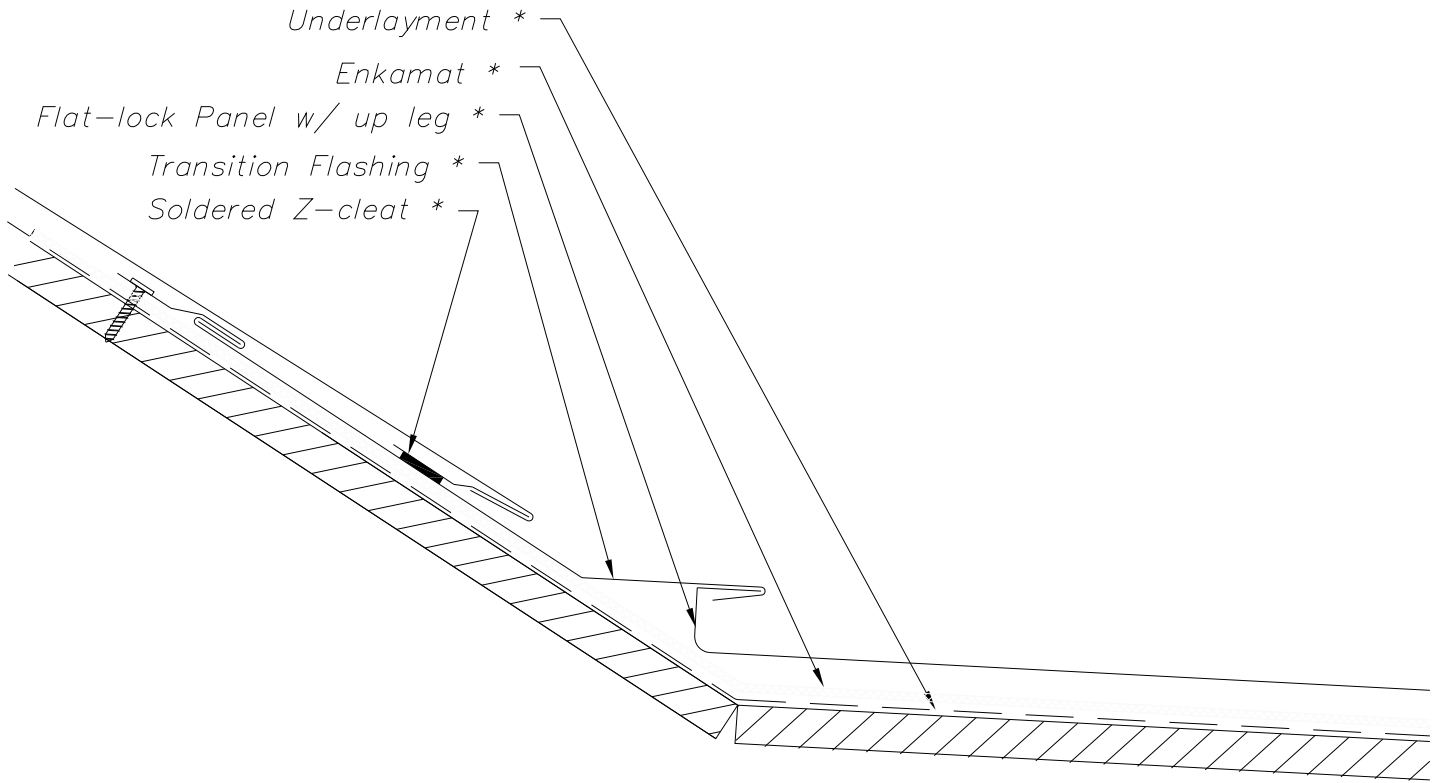
NOTE:  
 Information and details are only a baseline for system and installation. Modification to meet project requirement is the responsibility of the designer, architect and contractor. MetalTech-USA project staff are available to assist throughout the design and build process. © 2011 MetalTech-USA. All rights reserved.

UNLESS OTHERWISE SPECIFIED DIMENSIONS ARE IN INCHES	DRAWING NAME: SKYLIGHT SILL DETAIL		REVISION NO: A	DATED CREATED: 1/2/2015
	DWG NO: MT_FLRP_1803		CHECKED BY: ESIMONSEN	APPROVED BY: ESIMONSEN
PROJECT NAME: SKYLIGHT DETAILS				
SCALE: NTS		SHEET NO: 3 OF 3	SIZE: A	TOLERANCES: ANGULAR $\pm 1'$ LINEAR $\pm 0.06$




Changing Ideas Into Sustainable Reality.™

611 Highway 74 South | Suite 900  
 Peachtree City, GA 30269  
 Phone: 770-486-8825 | 770-631-7689

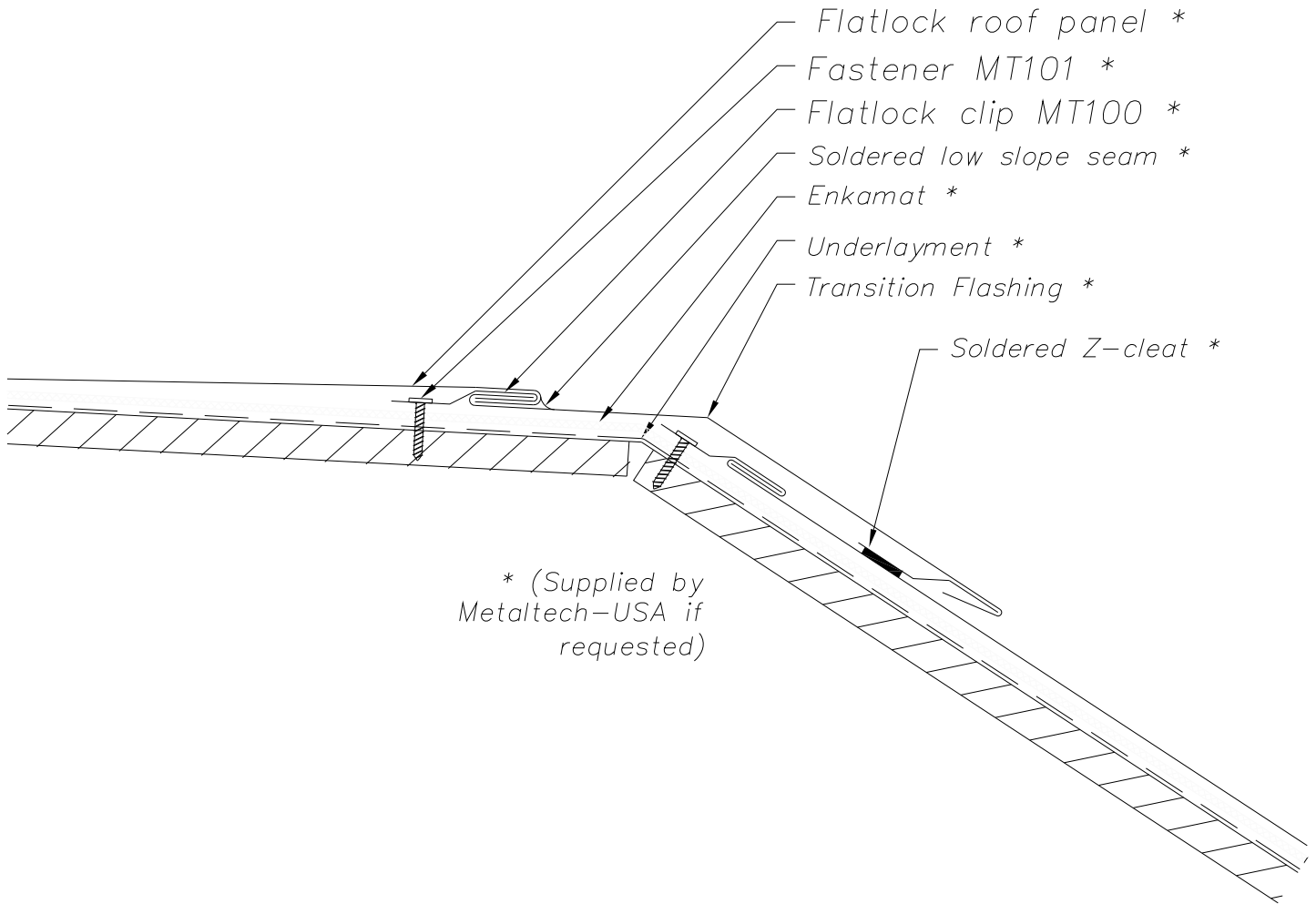


\* (Supplied by  
Metaltech-USA if  
requested)

NOTE:  
Information and details are only a baseline for system and installation. Modification to meet project requirement is the responsibility of the designer, architect and contractor. MetalTech-USA project staff are available to assist throughout the design and build process. © 2011 MetalTech-USA. All rights reserved.

<p>UNLESS OTHERWISE SPECIFIED DIMENSIONS ARE IN INCHES</p>  <p><b>MetalTech-USA</b> Changing Ideas Into Sustainable Reality.™</p> <p>611 Highway 74 South   Suite 900 Peachtree City, GA 30269 Phone: 770-486-8825   770-631-7689</p>	<p>DRAWING NAME: SLOPE TO FLAT TRANSITION DETAIL</p>		<p>REVISION NO: A</p>	<p>DATED CREATED: 1/5/2015</p>
	<p>DWG NO: MT_FLRP_1901</p>		<p>CHECKED BY: ESIMONSEN</p>	<p>APPROVED BY: ESIMONSEN</p>
<p>PROJECT NAME: MISCELLANEOUS DETAILS</p>				
<p>SCALE: NTS</p>	<p>SHEET NO: 1 OF 3</p>	<p>SIZE: A</p>	<p>TOLERANCES: ANGULAR ±1° LINEAR ±0.06</p>	





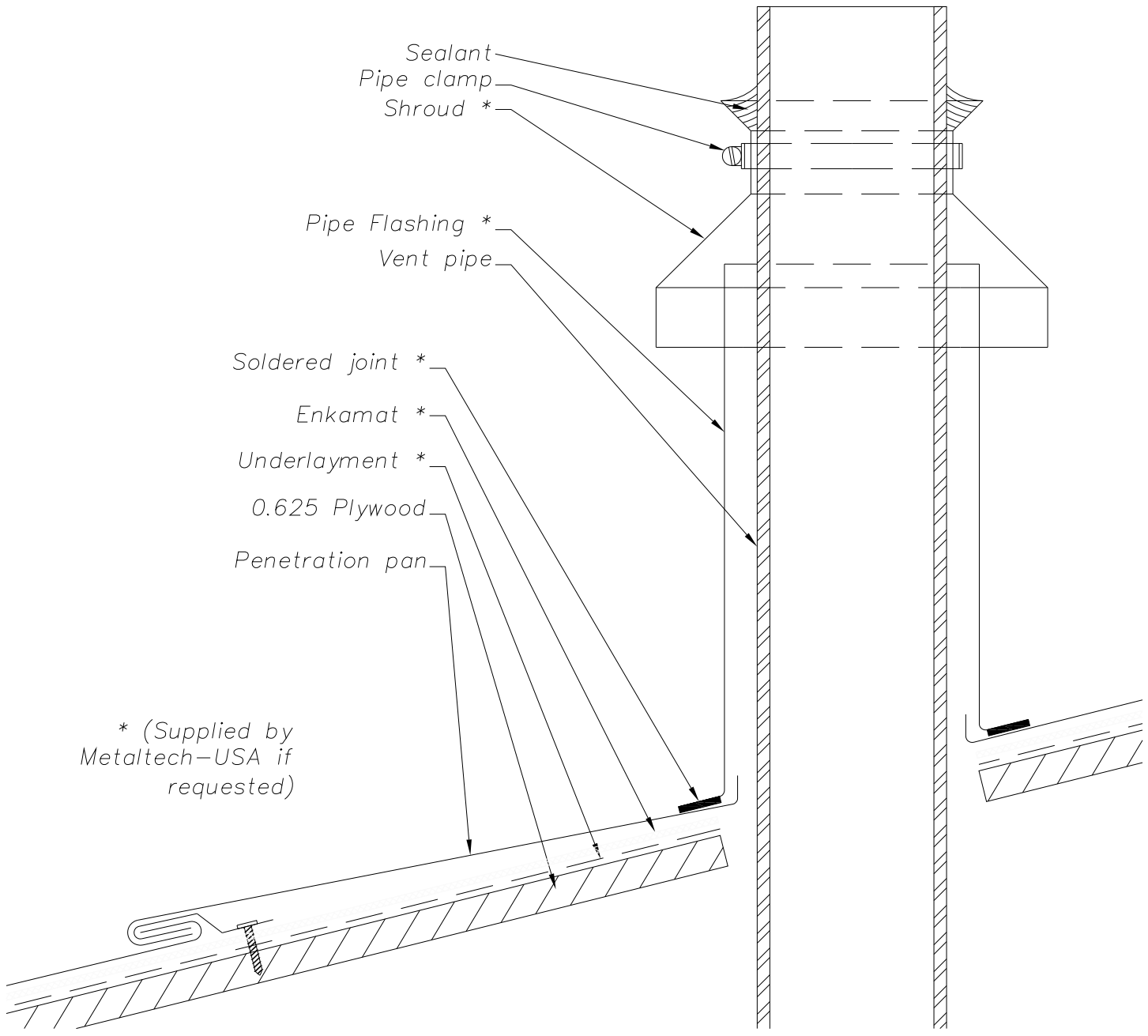
\* (Supplied by Metaltech-USA if requested)

NOTE: Information and details are only a baseline for system and installation. Modification to meet project requirement is the responsibility of the designer, architect and contractor. MetalTech-USA project staff are available to assist throughout the design and build process. © 2011 MetalTech-USA. All rights reserved.


UNLESS OTHERWISE SPECIFIED DIMENSIONS ARE IN INCHES	DRAWING NAME: FLAT TO SLOPE TRANSITION DETAIL		REVISION NO: A	DATED CREATED: 1/5/2015
	DWG NO: MT_FLRP_1902		CHECKED BY: ESIMONSEN	APPROVED BY: ESIMONSEN
PROJECT NAME: MISCELLANEOUS DETAILS				
SCALE: NTS		SHEET NO: 2 OF 3	SIZE: A	TOLERANCES: ANGULAR ±1° LINEAR ±0.06



**MetalTech-USA**  
 Changing Ideas Into Sustainable Reality.™  
 611 Highway 74 South | Suite 900  
 Peachtree City, GA 30269  
 Phone: 770-486-8825 | 770-631-7689



NOTE:  
Information and details are only a baseline for system and installation. Modification to meet project requirement is the responsibility of the designer, architect and contractor. MetalTech-USA project staff are available to assist throughout the design and build process. © 2011 MetalTech-USA. All rights reserved.

UNLESS OTHERWISE SPECIFIED DIMENSIONS ARE IN INCHES	DRAWING NAME: VENT STACK SECTION DETAIL	REVISION NO: A	DATED CREATED: 1/5/2015
 Changing Ideas Into Sustainable Reality.™ 611 Highway 74 South   Suite 900 Peachtree City, GA 30269 Phone: 770-486-8825   770-631-7689	DWG NO: MT_FLRP_1903	CHECKED BY: ESIMONSEN	APPROVED BY: ESIMONSEN
	PROJECT NAME: MISCELLANEOUS DETAILS		
SCALE: NTS	SHEET NO: 3 OF 3	SIZE: A	TOLERANCES: ANGULAR ±1° LINEAR ±0.06