

Trapezoidal Vert. Wall Panel System Details

INDEX OF DRAWINGS

GENERAL DETAILS

MT_TWPV_1001 – Trapezoidal Wall Panel (Vertical)
 MT_TWPV_1002 – Trapezoidal Wall Panel (Isometric)
 MT_TWPV_1003 – Trapezoidal Wall Assembly Section
 MT_TWPV_1004 – Trapezoidal Wall Assembly Plan
 MT_TWPV_1005 – Fasteners

TOP OF WALL DETAILS

MT_TWPV_1101 – Parapet Detail
 MT_TWPV_1102 – Wall To Soffit Transition

WINDOW DETAILS

MT_TWPV_1201 – Jamb Detail
 MT_TWPV_1202 – Head Detail
 MT_TWPV_1203 – Sill Detail

BOTTOM OF WALL DETAILS

MT_TWPV_1301 – Base Detail


INTERIOR DETAILS

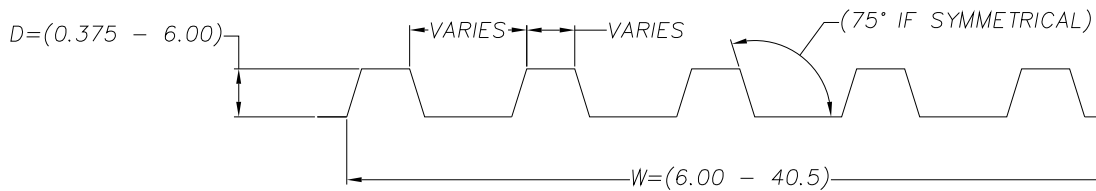
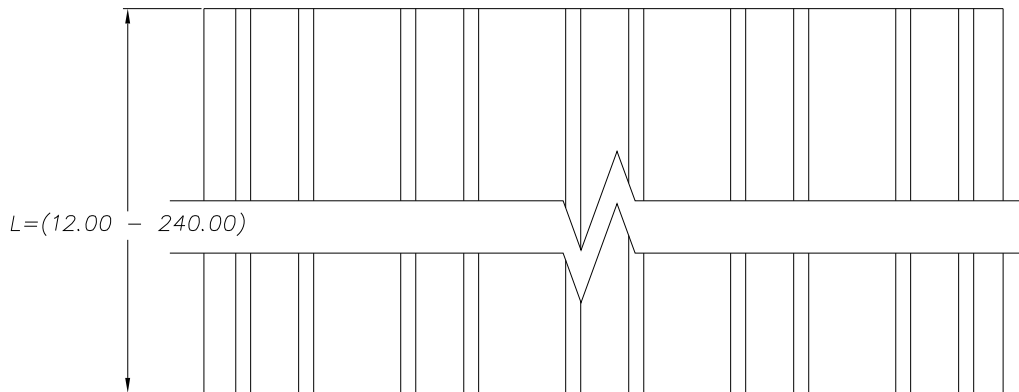
MT_TWPV_1401 – Interior Corner

EXTERIOR DETAILS

MT_TWPV_1501 – Exterior Corner

NOTE:
 Information and details are only a baseline for system and installation. Modification to meet project requirement is the responsibility of the designer, architect and contractor. MetalTech–USA project staff are available to assist throughout the design and build process. © 2011 MetalTech–USA. All rights reserved.

UNLESS OTHERWISE SPECIFIED DIMENSIONS ARE IN INCHES		DRAWING NAME: INDEX		REVISION NO: A		DATED CREATED: 10/08/2014	
 Changing Ideas Into Sustainable Reality.™ 611 Highway 74 South Suite 900 Peachtree City, GA 30269 Phone: 770-486-8825 770-631-7689		DWG NO: MT_TWPV_0000		CHECKED BY: ESIMONSEN		APPROVED BY: ESIMONSEN	
		PROJECT NAME: INDEX					
		SCALE: NTS	SHEET NO: 1 OF 1	SIZE: A	TOLERANCES: ANGULAR ±1' LINEAR ±0.06		



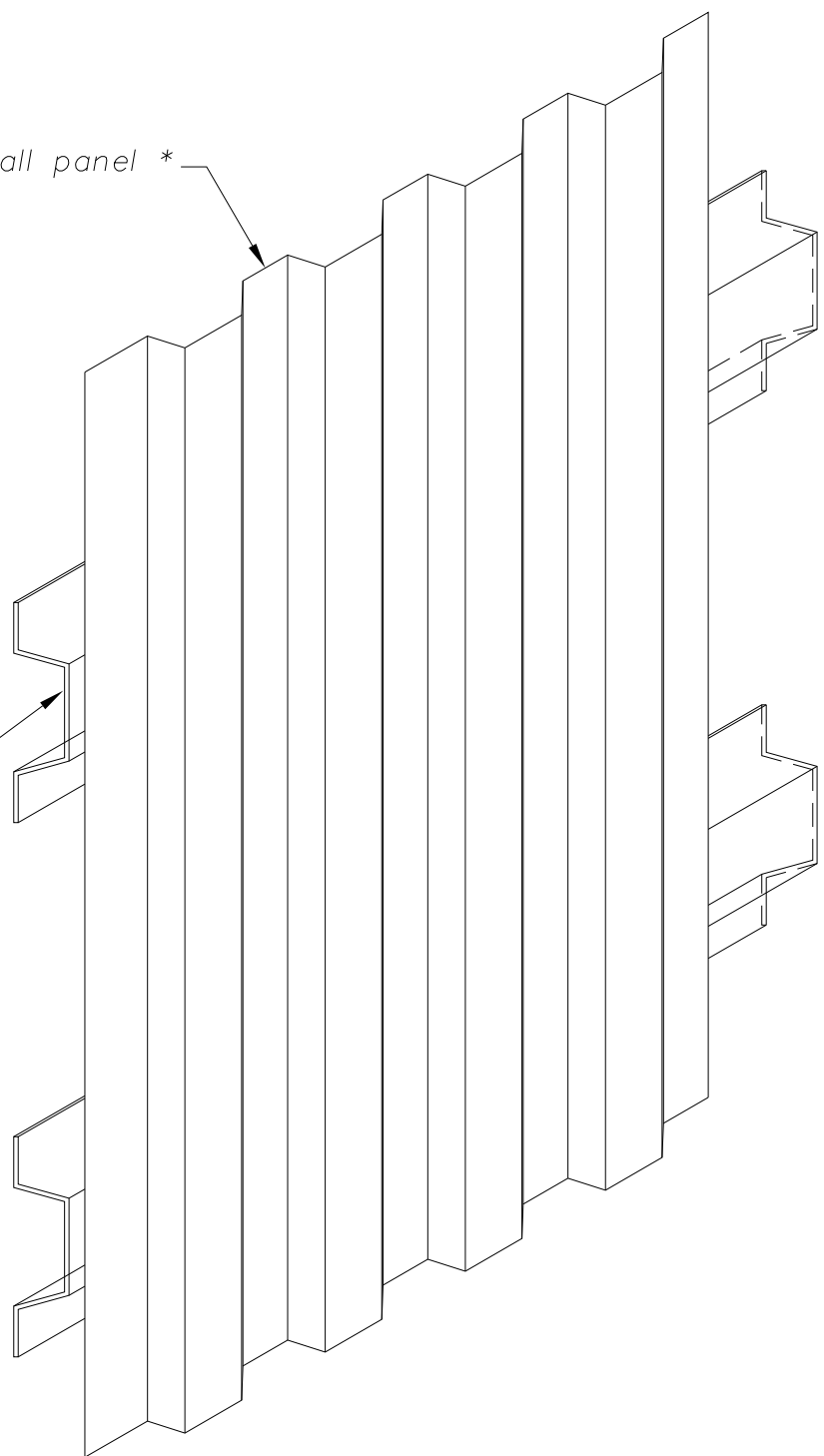
NOTE:
 Information and details are only a baseline for system and installation. Modification to meet project requirement is the responsibility of the designer, architect and contractor. MetalTech-USA project staff are available to assist throughout the design and build process. © 2011 MetalTech-USA. All rights reserved.

UNLESS OTHERWISE SPECIFIED DIMENSIONS ARE IN INCHES	DRAWING NAME: TRAPEZOIDAL WALL PANEL (VERTICAL)		REVISION NO: A	DATED CREATED: 10/06/2014
	DWG NO: MT_TWPV_1001		CHECKED BY: ESIMONSEN	APPROVED BY: ESIMONSEN
PROJECT NAME: GENERAL DETAILS				
SCALE: NTS		SHEET NO: 1 OF 5	SIZE: A	TOLERANCES: ANGULAR $\pm 1^\circ$ LINEAR ± 0.06




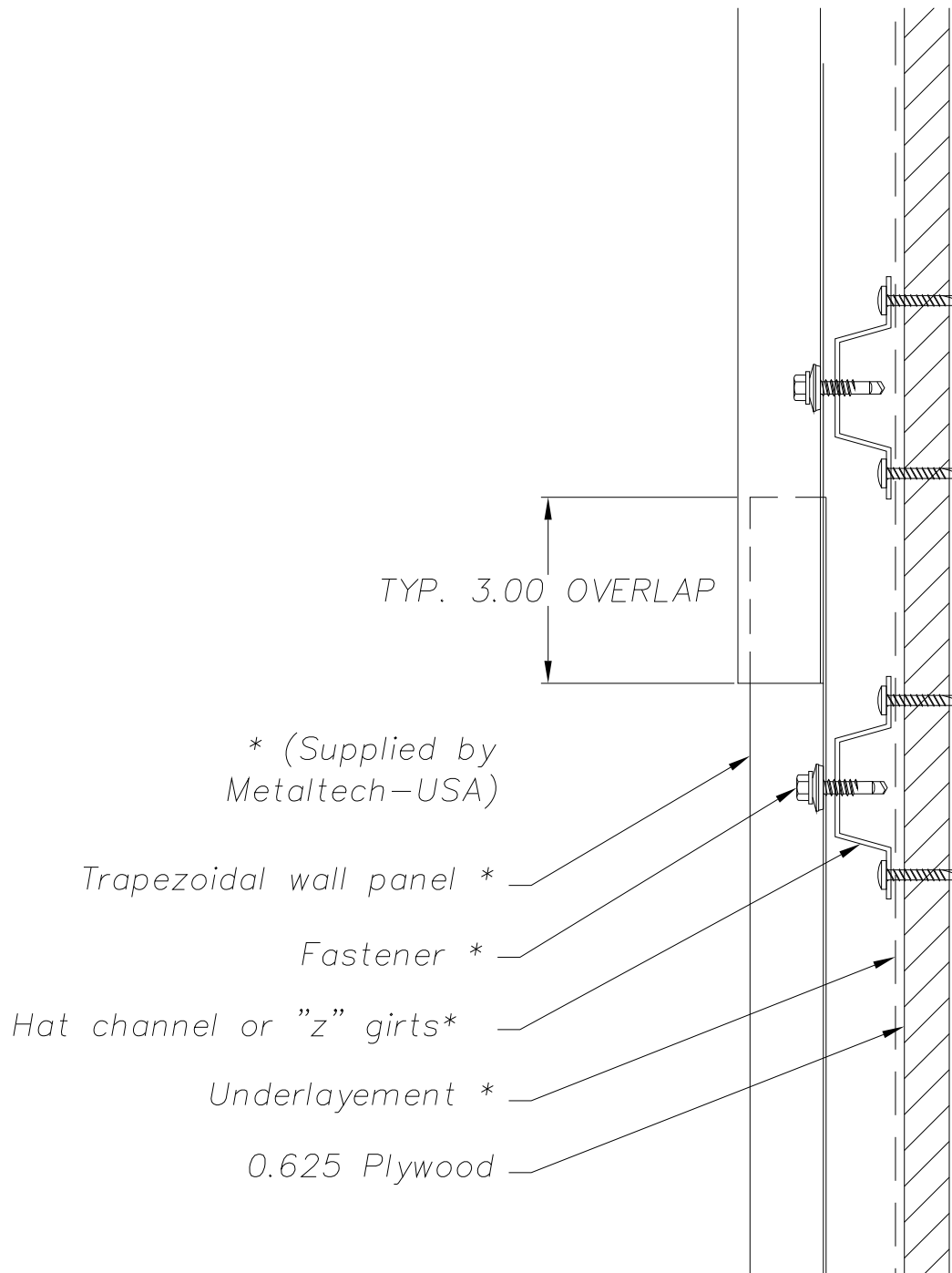
Trapezoidal wall panel *

Hat channel or "z" girts*



NOTE:
 Information and details are only a baseline for system and installation. Modification to meet project requirement is the responsibility of the designer, architect and contractor. MetalTech-USA project staff are available to assist throughout the design and build process. © 2011 MetalTech-USA. All rights reserved.

UNLESS OTHERWISE SPECIFIED DIMENSIONS ARE IN INCHES	DRAWING NAME: TRAPEZOIDAL WALL PANEL (ISOMETRIC)	REVISION NO: -	DATED CREATED: 10/08/2014
 Changing Ideas Into Sustainable Reality.™ 611 Highway 74 South Suite 900 Peachtree City, GA 30269 Phone: 770-486-8825 770-631-7689	DWG NO: MT_TWPV_1002	CHECKED BY: ESIMONSEN	APPROVED BY: ESIMONSEN
	PROJECT NAME: GENERAL DETAILS		
SCALE: NTS	SHEET NO: 2 OF 5	SIZE: A	TOLERANCES: ANGULAR ±1° LINEAR ±0.06

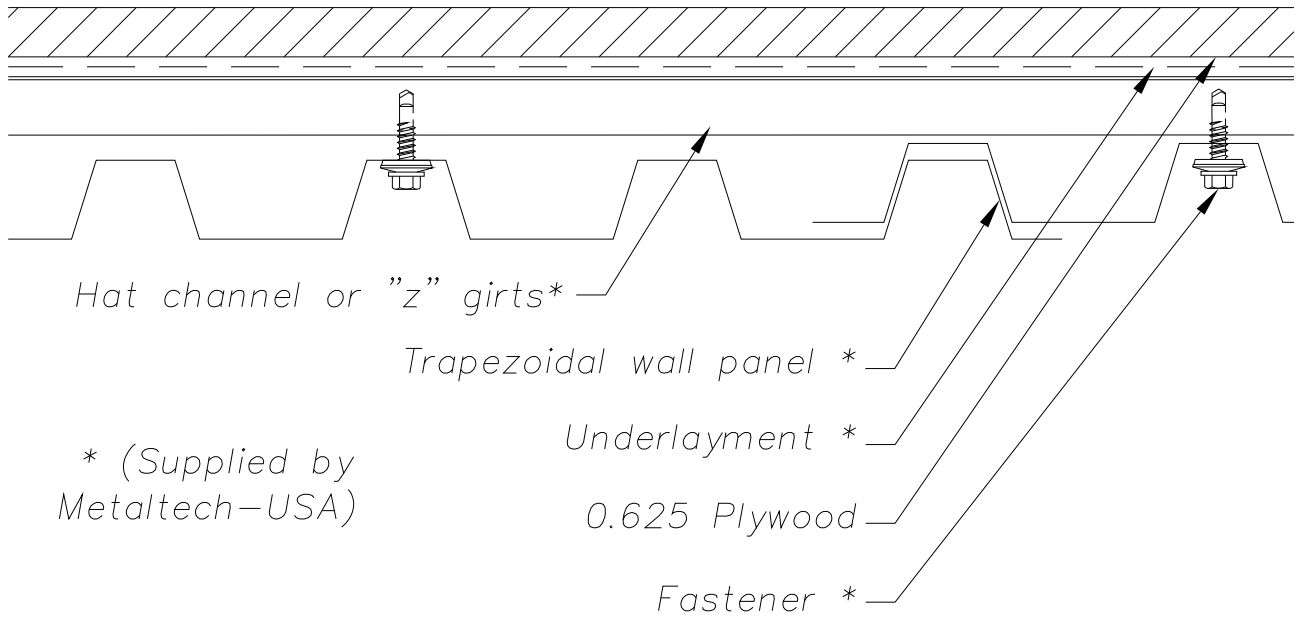


NOTE:
 Information and details are only a baseline for system and installation. Modification to meet project requirement is the responsibility of the designer, architect and contractor. MetalTech-USA project staff are available to assist throughout the design and build process. © 2011 MetalTech-USA. All rights reserved.

UNLESS OTHERWISE SPECIFIED DIMENSIONS ARE IN INCHES	DRAWING NAME: TRAPEZOIDAL WALL ASSEMBLY SECTION		REVISION NO: A	DATED CREATED: 10/06/2014
	DWG NO: MT_TWPV_1003		CHECKED BY: ESIMONSEN	APPROVED BY: ESIMONSEN
PROJECT NAME: GENERAL DETAILS				
SCALE: NTS		SHEET NO: 3 OF 5	SIZE: A	TOLERANCES: ANGULAR ±1' LINEAR ±0.06

MetalTech-USA
 Changing Ideas Into Sustainable Reality.™

611 Highway 74 South | Suite 900
 Peachtree City, GA 30269
 Phone: 770-486-8825 | 770-631-7689

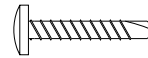


* (Supplied by Metaltech-USA)

NOTE:
 Information and details are only a baseline for system and installation. Modification to meet project requirement is the responsibility of the designer, architect and contractor. MetalTech-USA project staff are available to assist throughout the design and build process. © 2011 MetalTech-USA. All rights reserved.

UNLESS OTHERWISE SPECIFIED DIMENSIONS ARE IN INCHES	DRAWING NAME: TRAPEZOIDAL WALL ASSEMBLY PLAN		REVISION NO: A	DATED CREATED: 10/06/2014
	DWG NO: MT_TWPV_1004		CHECKED BY: ESIMONSEN	APPROVED BY: ESIMONSEN
PROJECT NAME: GENERAL DETAILS				
SCALE: NTS		SHEET NO: 4 OF 5	SIZE: A	TOLERANCES: ANGULAR ±1° LINEAR ±0.06

MetalTech-USA
 Changing Ideas Into Sustainable Reality.™
 611 Highway 74 South | Suite 900
 Peachtree City, GA 30269
 Phone: 770-486-8825 | 770-631-7689




MT101

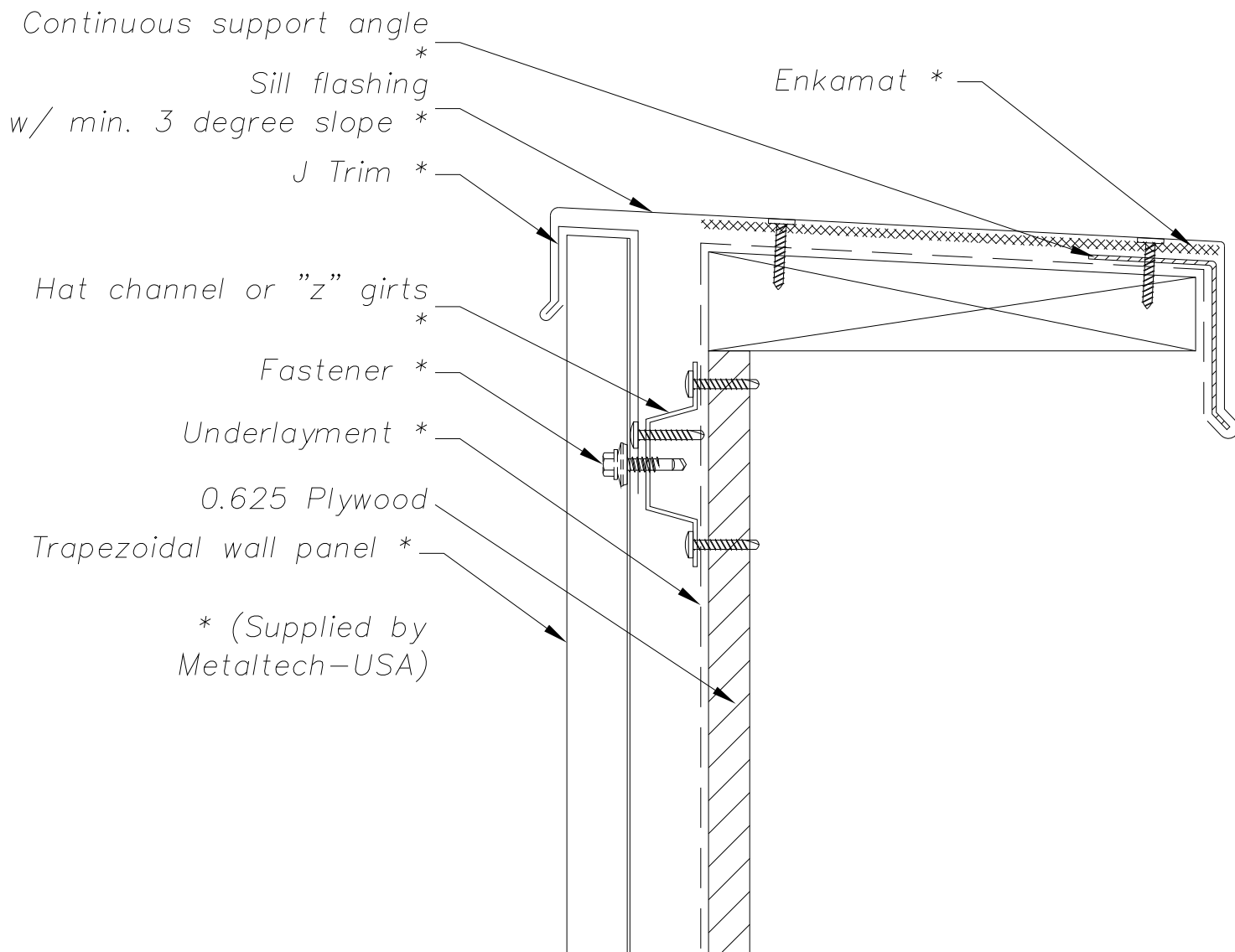
Wood Applications

MT101SX3

Sheet Metal Applications

NOTE: Information and details are only a baseline for system and installation. Modification to meet project requirement is the responsibility of the designer, architect and contractor. MetalTech-USA project staff are available to assist throughout the design and build process. © 2011 MetalTech-USA. All rights reserved.

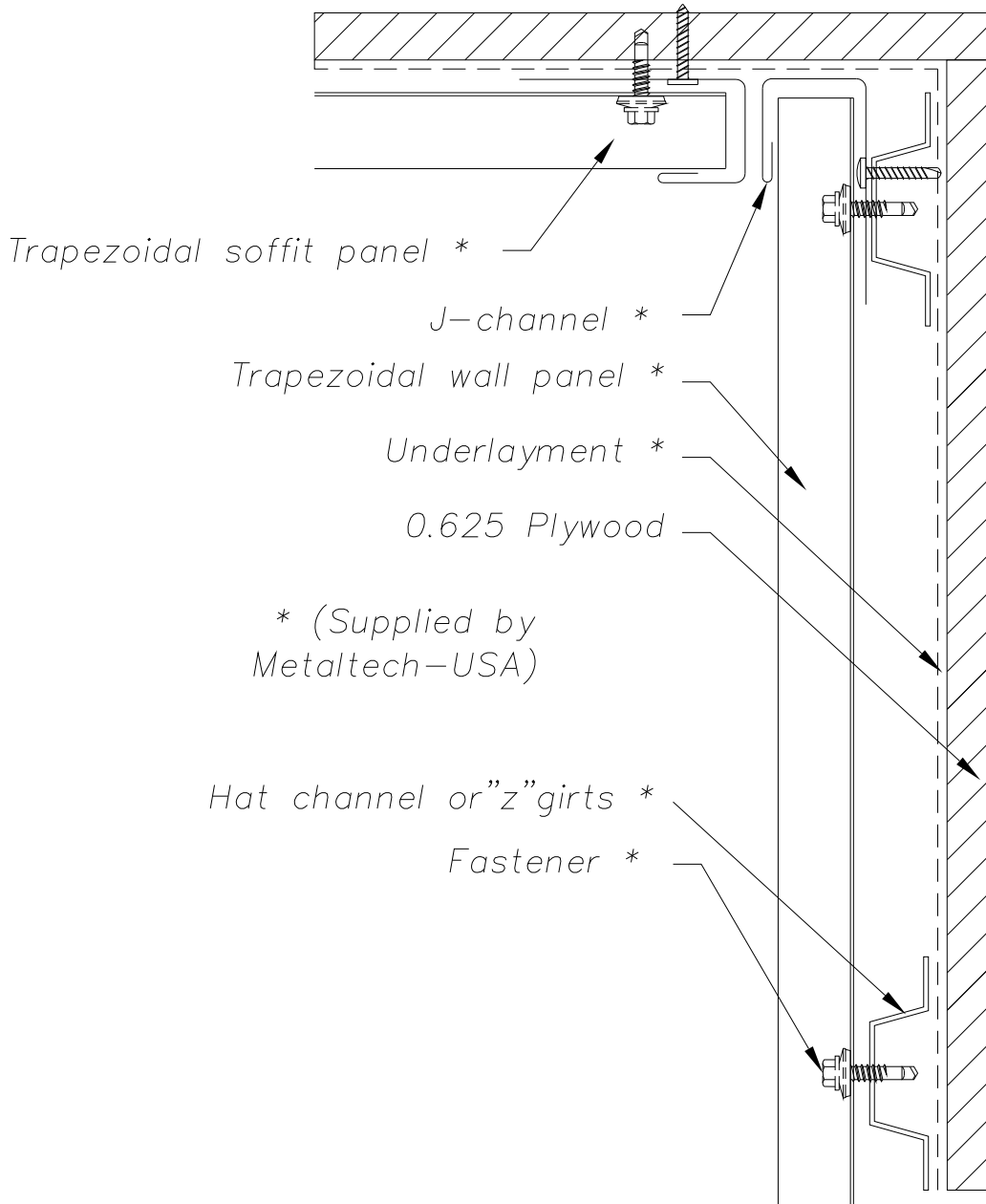
UNLESS OTHERWISE SPECIFIED DIMENSIONS ARE IN INCHES	DRAWING NAME: FASTENERS		REVISION NO: A	DATED CREATED: 10/06/2014
 MetalTech-USA Changing Ideas Into Sustainable Reality.™ <small>611 Highway 74 South Suite 900 Peachtree City, GA 30269 Phone: 770-486-8825 770-631-7689</small>	DWG NO: MT_TWPV_1004		CHECKED BY: ESIMONSEN	APPROVED BY: ESIMONSEN
	PROJECT NAME: GENERAL DETAILS			
SCALE: NTS	SHEET NO: 5 OF 5	SIZE: A	TOLERANCES: ANGULAR ±1° LINEAR ±0.06	



NOTE:
 Information and details are only a baseline for system and installation. Modification to meet project requirement is the responsibility of the designer, architect and contractor. MetalTech-USA project staff are available to assist throughout the design and build process. © 2011 MetalTech-USA. All rights reserved.

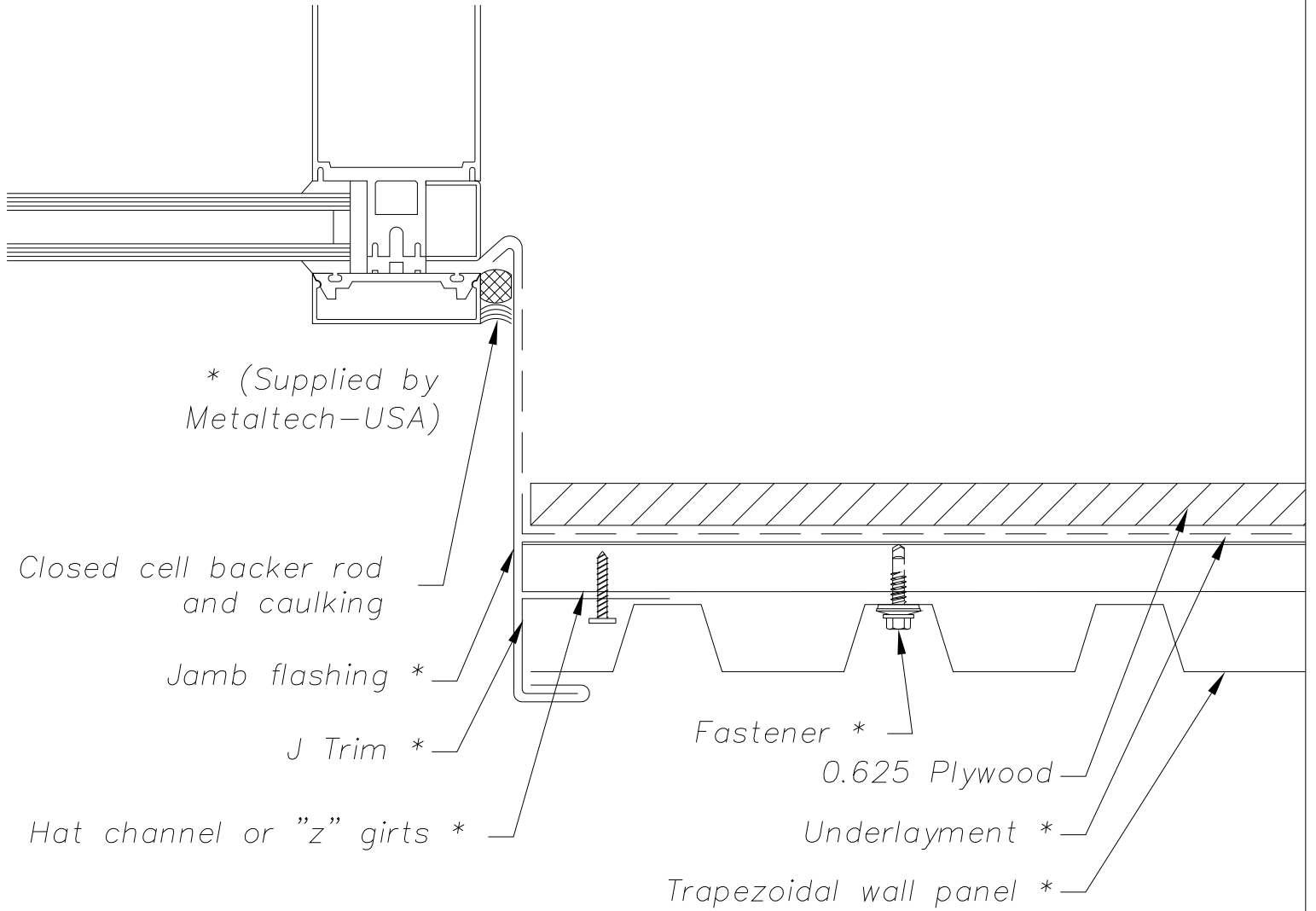
UNLESS OTHERWISE SPECIFIED DIMENSIONS ARE IN INCHES	DRAWING NAME: PARAPET DETAIL		REVISION NO: A	DATED CREATED: 10/06/2014
	DWG NO: MT_TWPV_1101		CHECKED BY: ESIMONSEN	APPROVED BY: ESIMONSEN
PROJECT NAME: TOP OF WALL DETAILS				
SCALE: NTS		SHEET NO: 1 OF 1	SIZE: A	TOLERANCES: ANGULAR ±1° LINEAR ±0.06

MetalTech-USA
 Changing Ideas Into Sustainable Reality.™
 611 Highway 74 South | Suite 900
 Peachtree City, GA 30269
 Phone: 770-486-8825 | 770-631-7689




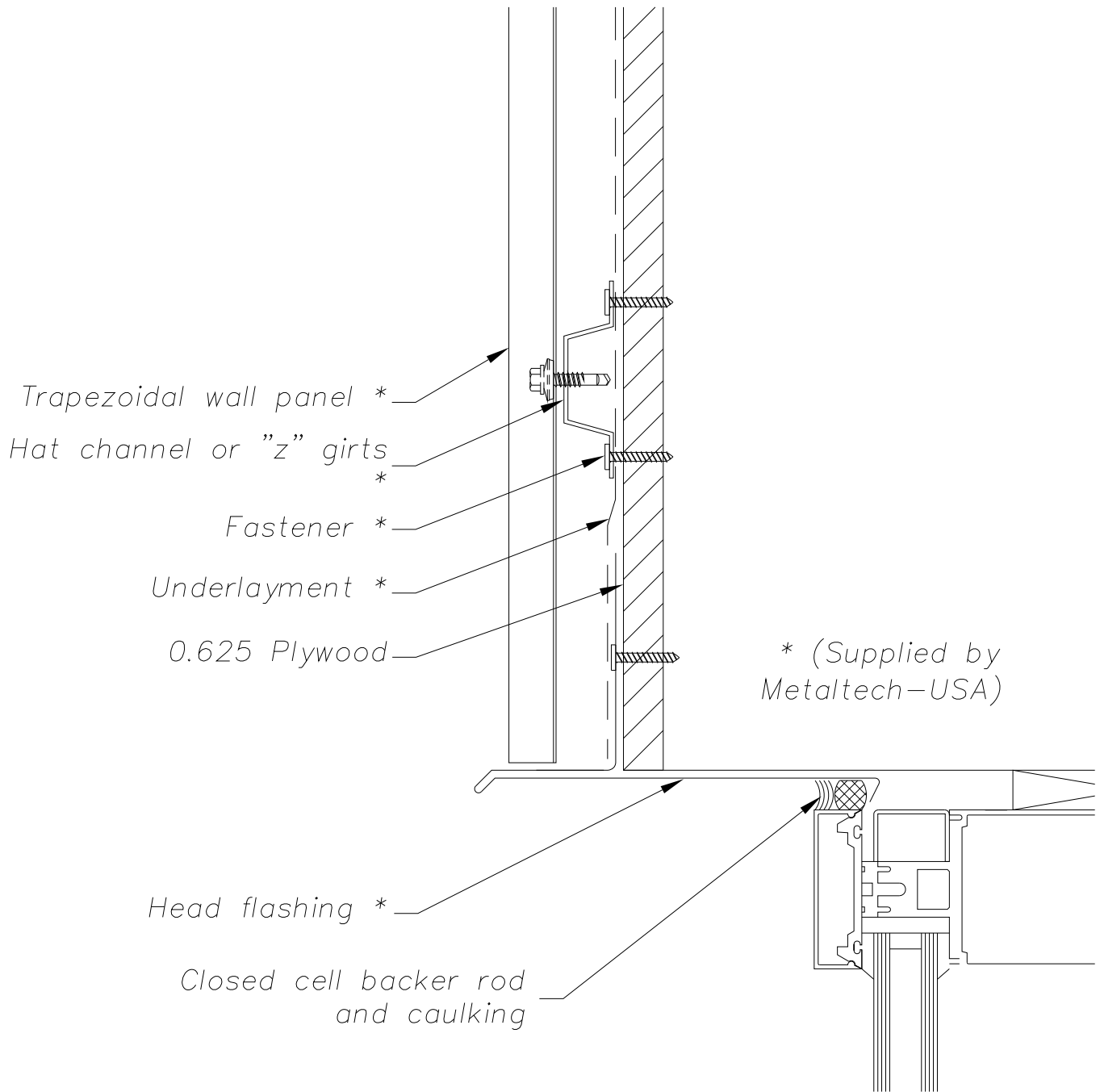
NOTE:
 Information and details are only a baseline for system and installation. Modification to meet project requirement is the responsibility of the designer, architect and contractor. MetalTech-USA project staff are available to assist throughout the design and build process. © 2011 MetalTech-USA. All rights reserved.

UNLESS OTHERWISE SPECIFIED DIMENSIONS ARE IN INCHES	DRAWING NAME: WALL TO SOFFIT TRANSITION		REVISION NO: -	DATED CREATED: 10/08/2014
	DWG NO: MT_TWPV_1102		CHECKED BY: ESIMONSEN	APPROVED BY: ESIMONSEN
PROJECT NAME: TOP OF WALL DETAILS				
SCALE: NTS		SHEET NO: 2 OF 2	SIZE: A	TOLERANCES: ANGULAR ±1° LINEAR ±0.06




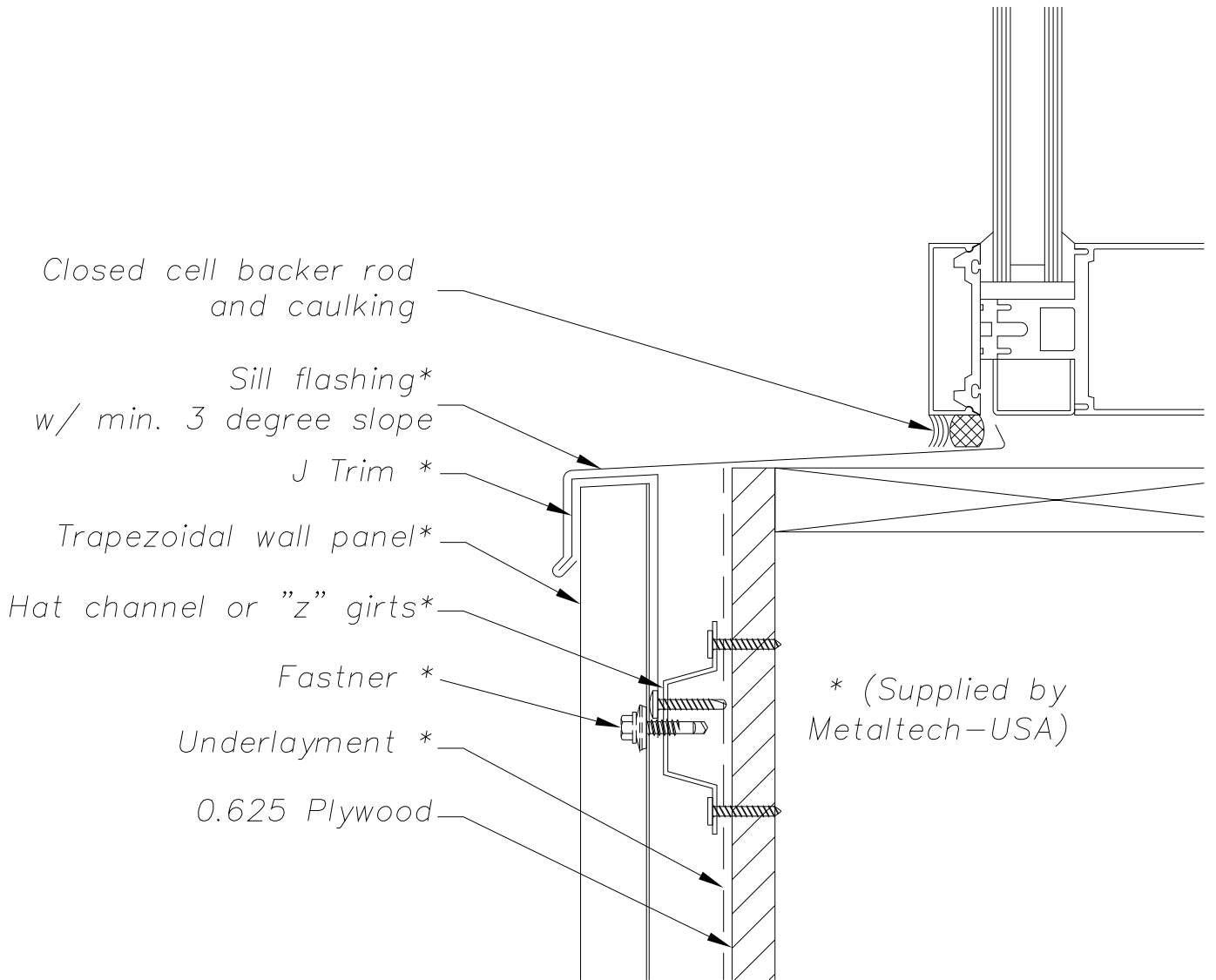
NOTE:
 Information and details are only a baseline for system and installation. Modification to meet project requirement is the responsibility of the designer, architect and contractor. MetalTech-USA project staff are available to assist throughout the design and build process. © 2011 MetalTech-USA. All rights reserved.

UNLESS OTHERWISE SPECIFIED DIMENSIONS ARE IN INCHES	DRAWING NAME: JAMB DETAIL	REVISION NO: A	DATED CREATED: 10/06/2014
 Changing Ideas Into Sustainable Reality.™ 611 Highway 74 South Suite 900 Peachtree City, GA 30269 Phone: 770-486-8825 770-631-7689	DWG NO: MT_TWPV_1201	CHECKED BY: ESIMONSEN	APPROVED BY: ESIMONSEN
	PROJECT NAME: WINDOW DETAILS		
SCALE: NTS	SHEET NO: 1 OF 3	SIZE: A	TOLERANCES: ANGULAR ±1° LINEAR ±0.06




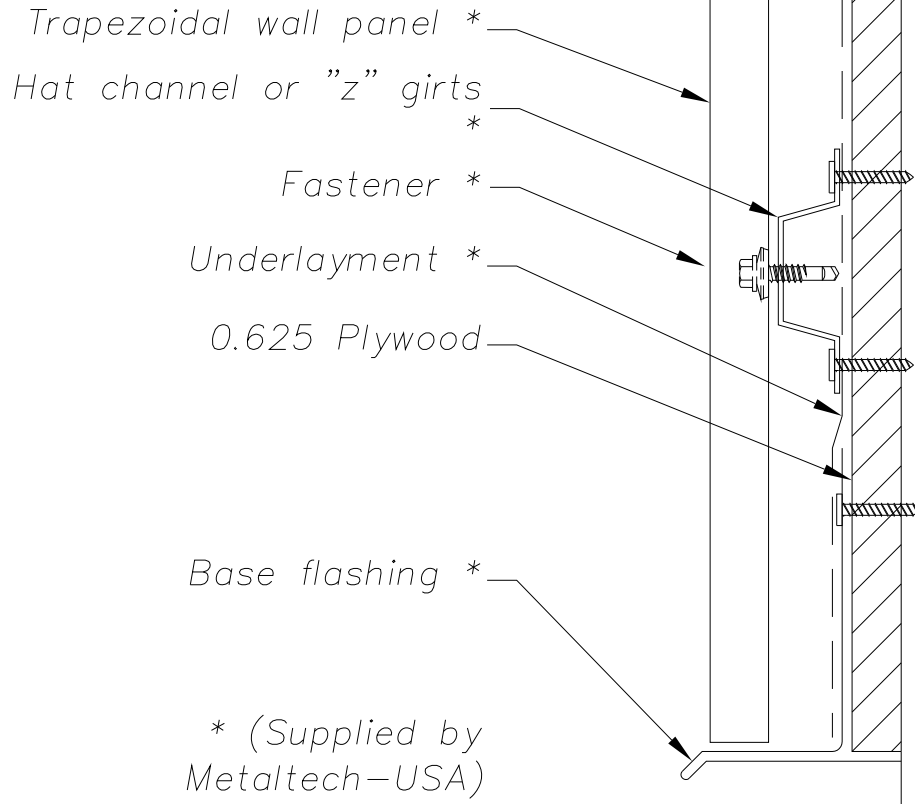
NOTE: Information and details are only a baseline for system and installation. Modification to meet project requirement is the responsibility of the designer, architect and contractor. MetalTech-USA project staff are available to assist throughout the design and build process. © 2011 MetalTech-USA. All rights reserved.

UNLESS OTHERWISE SPECIFIED DIMENSIONS ARE IN INCHES	DRAWING NAME: HEAD DETAIL	REVISION NO: A	DATED CREATED: 10/06/2014
 Changing Ideas Into Sustainable Reality.™ 611 Highway 74 South Suite 900 Peachtree City, GA 30269 Phone: 770-486-8825 770-631-7689	DWG NO: MT_TWPV_1202	CHECKED BY: ESIMONSEN	APPROVED BY: ESIMONSEN
	PROJECT NAME: WINDOW DETAILS		
	SCALE: NTS	SHEET NO: 2 OF 3	SIZE: A TOLERANCES: ANGULAR ±1° LINEAR ±0.06




NOTE:
 Information and details are only a baseline for system and installation. Modification to meet project requirement is the responsibility of the designer, architect and contractor. MetalTech-USA project staff are available to assist throughout the design and build process. © 2011 MetalTech-USA. All rights reserved.

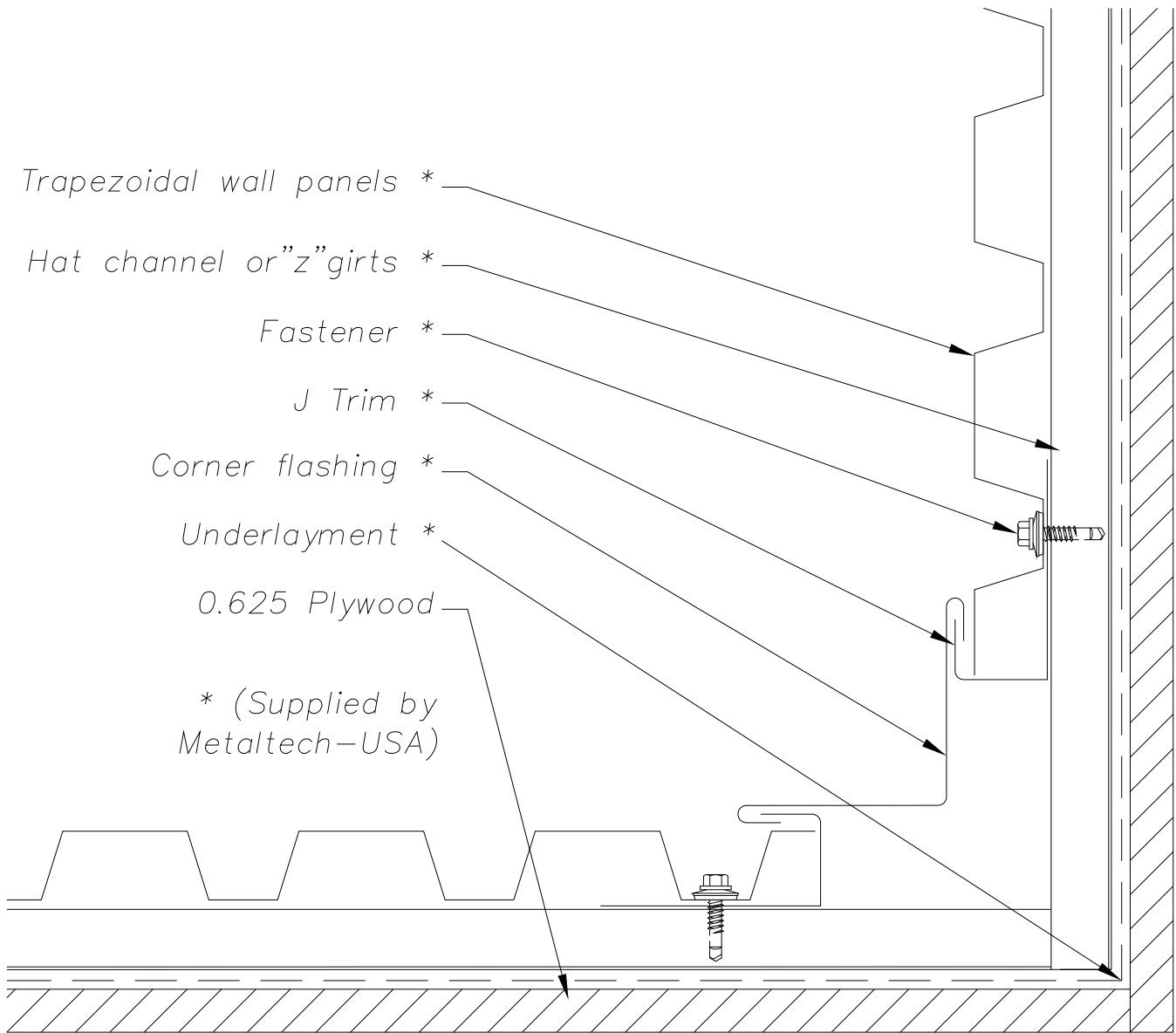
UNLESS OTHERWISE SPECIFIED DIMENSIONS ARE IN INCHES	DRAWING NAME: SILL DETAIL	REVISION NO: A	DATED CREATED: 10/06/2014
 Changing Ideas Into Sustainable Reality.™ 611 Highway 74 South Suite 900 Peachtree City, GA 30269 Phone: 770-486-8825 770-631-7689	DWG NO: MT_TWPV_1203	CHECKED BY: ESIMONSEN	APPROVED BY: ESIMONSEN
	PROJECT NAME: WINDOW DETAILS		
	SCALE: NTS	SHEET NO: 3 OF 3	SIZE: A TOLERANCES: ANGULAR ±1° LINEAR ±0.06



NOTE: Base flashing not to exceed 1.75 inches unless installed with a stiffener

NOTE: Information and details are only a baseline for system and installation. Modification to meet project requirement is the responsibility of the designer, architect and contractor. MetalTech-USA project staff are available to assist throughout the design and build process. © 2011 MetalTech-USA. All rights reserved.

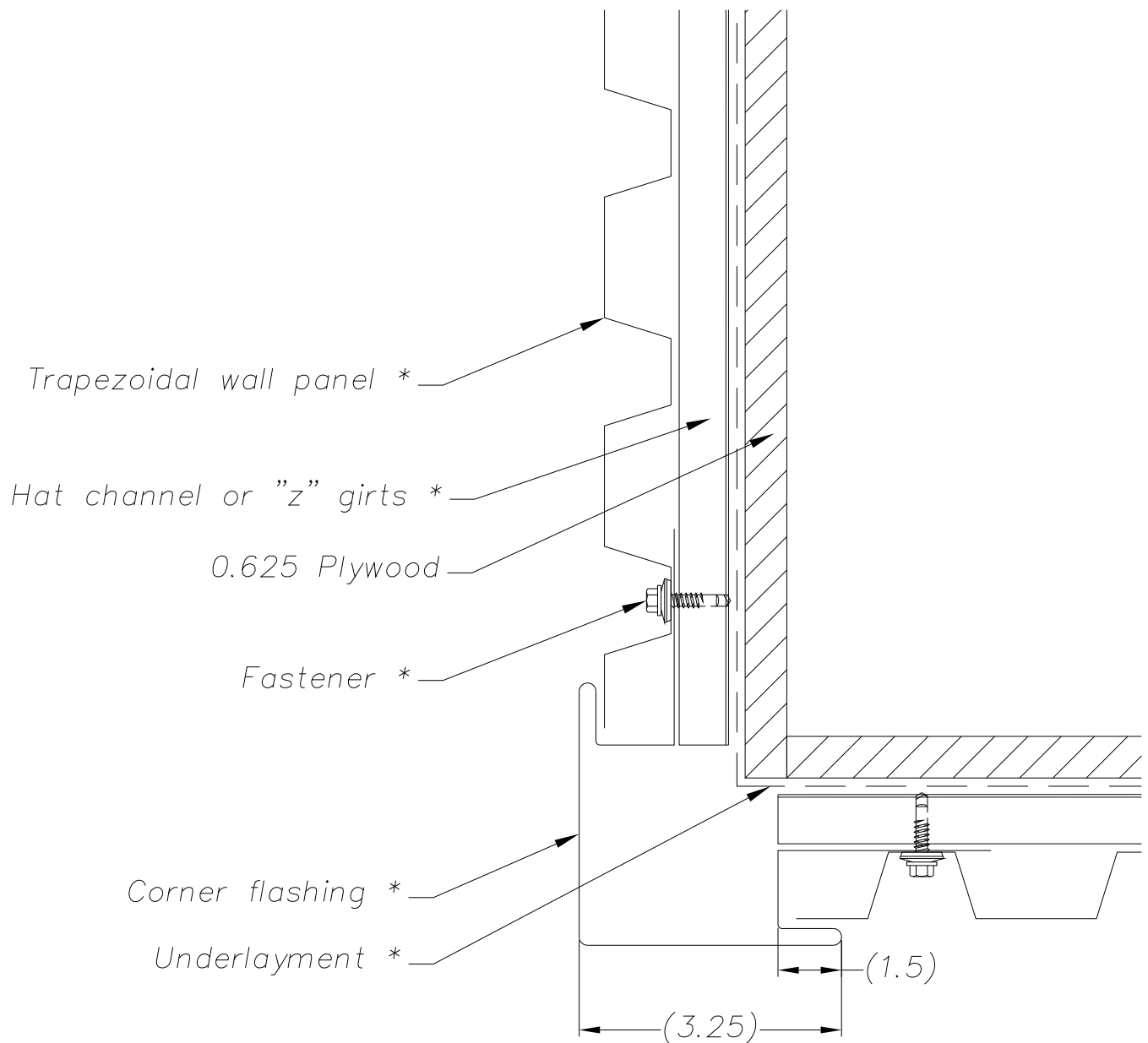
<p>UNLESS OTHERWISE SPECIFIED DIMENSIONS ARE IN INCHES</p>  <p>MetalTech-USA Changing Ideas Into Sustainable Reality.™</p> <p>611 Highway 74 South Suite 900 Peachtree City, GA 30269 Phone: 770-486-8825 770-631-7689</p>	<p>DRAWING NAME: BASE DETAIL</p>		<p>REVISION NO: A</p>	<p>DATED CREATED: 10/08/2014</p>
	<p>DWG NO: MT_TWPV_1301</p>		<p>CHECKED BY: ESIMONSEN</p>	<p>APPROVED BY: ESIMONSEN</p>
<p>PROJECT NAME: BOTTOM OF WALL DETAILS</p>				
<p>SCALE: NTS</p>	<p>SHEET NO: 1 OF 1</p>	<p>SIZE: A</p>	<p>TOLERANCES: ANGULAR ±1° LINEAR ±0.06</p>	



NOTE:
 Information and details are only a baseline for system and installation. Modification to meet project requirement is the responsibility of the designer, architect and contractor. MetalTech-USA project staff are available to assist throughout the design and build process. © 2011 MetalTech-USA. All rights reserved.

UNLESS OTHERWISE SPECIFIED DIMENSIONS ARE IN INCHES	DRAWING NAME: INTERIOR CORNER		REVISION NO: A	DATED CREATED: 10/8/14
	DWG NO: MT_TWPV_1401		CHECKED BY: ESIMONSEN	APPROVED BY: ESIMONSEN
PROJECT NAME: INTERIOR DETAILS				
SCALE: NTS		SHEET NO: 1 OF 1	SIZE: A	TOLERANCES: ANGULAR $\pm 1'$ LINEAR ± 0.06

MetalTech-USA
 Changing Ideas Into Sustainable Reality.™
 611 Highway 74 South | Suite 900
 Peachtree City, GA 30269
 Phone: 770-486-8825 | 770-631-7689



* (Supplied by Metaltech-USA)

NOTE: Minimum difference between exposed corner width and pocket depth equal 1 3/4"

NOTE: Information and details are only a baseline for system and installation. Modification to meet project requirement is the responsibility of the designer, architect and contractor. MetalTech-USA project staff are available to assist throughout the design and build process. © 2011 MetalTech-USA. All rights reserved.

UNLESS OTHERWISE SPECIFIED DIMENSIONS ARE IN INCHES	DRAWING NAME: EXTERIOR CORNER		REVISION NO: A	DATED CREATED: 10/8/14
	DWG NO: MT_TWPV_1501		CHECKED BY: ESIMONSEN	APPROVED BY: ESIMONSEN
PROJECT NAME: EXTERIOR DETAILS				
SCALE: NTS		SHEET NO: 1 OF 1	SIZE: A	TOLERANCES: ANGULAR ±1° LINEAR ±0.06



Changing Ideas Into Sustainable Reality.™

611 Highway 74 South | Suite 900
 Peachtree City, GA 30269
 Phone: 770-486-8825 | 770-631-7689