

Trapezoidal Hor. Wall Panel System Details

INDEX OF DRAWINGS

GENERAL DETAILS

MT_TWPH_1001 – Trapezoidal Wall Panel (Horizontal)
 MT_TWPH_1002 – Trapezoidal Wall Panel (Isometric)
 MT_TWPH_1003 – Trapezoidal Wall Assembly Section
 MT_TWPH_1004 – Trapezoidal Wall Assembly Plan
 MT_TWPH_1005 – Fasteners

TOP OF WALL DETAILS

MT_TWPH_1101 – Parapet Detail
 MT_TWPH_1102 – Wall To Soffit Transition

WINDOW DETAILS

MT_TWPH_1201 – Jamb Detail
 MT_TWPH_1202 – Head Detail
 MT_TWPH_1203 – Sill Detail

BOTTOM OF WALL DETAILS

MT_TWPH_1301 – Base Detail


INTERIOR DETAILS

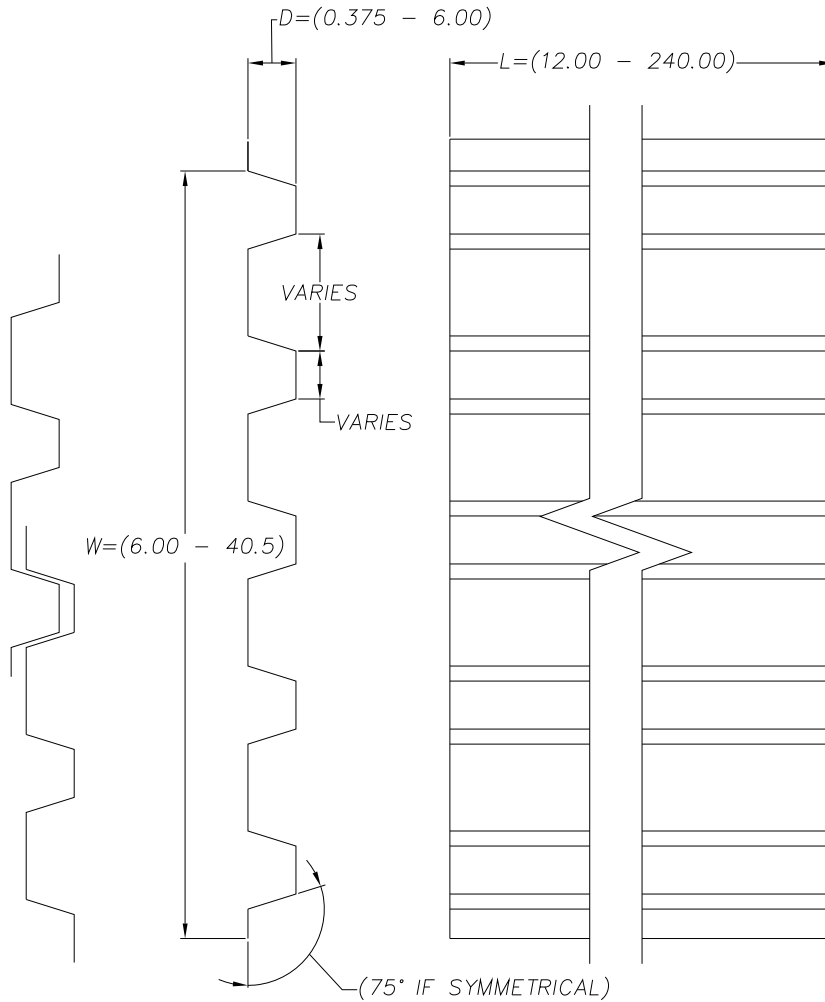
MT_TWPH_1401 – Interior Corner

EXTERIOR DETAILS


MT_TWPH_1501 – Exterior Corner

NOTE:
 Information and details are only a baseline for system and installation. Modification to meet project requirement is the responsibility of the designer, architect and contractor. MetalTech–USA project staff are available to assist throughout the design and build process. © 2011 MetalTech–USA. All rights reserved.

 MetalTech-USA Changing Ideas Into Sustainable Reality.™ 611 Highway 74 South Suite 900 Peachtree City, GA 30269 Phone: 770-486-8825 770-631-7689	UNLESS OTHERWISE SPECIFIED DIMENSIONS ARE IN INCHES		DRAWING NAME: INDEX	REVISION NO: A	DATED CREATED: 10/09/2014	
			DWG NO: MT_TWPH_0000	CHECKED BY: ESIMONSEN	APPROVED BY: ESIMONSEN	
			PROJECT NAME: INDEX			
	SCALE: NTS	SHEET NO: 1 OF 1	SIZE: A	TOLERANCES: ANGULAR ±1' LINEAR ±0.06		

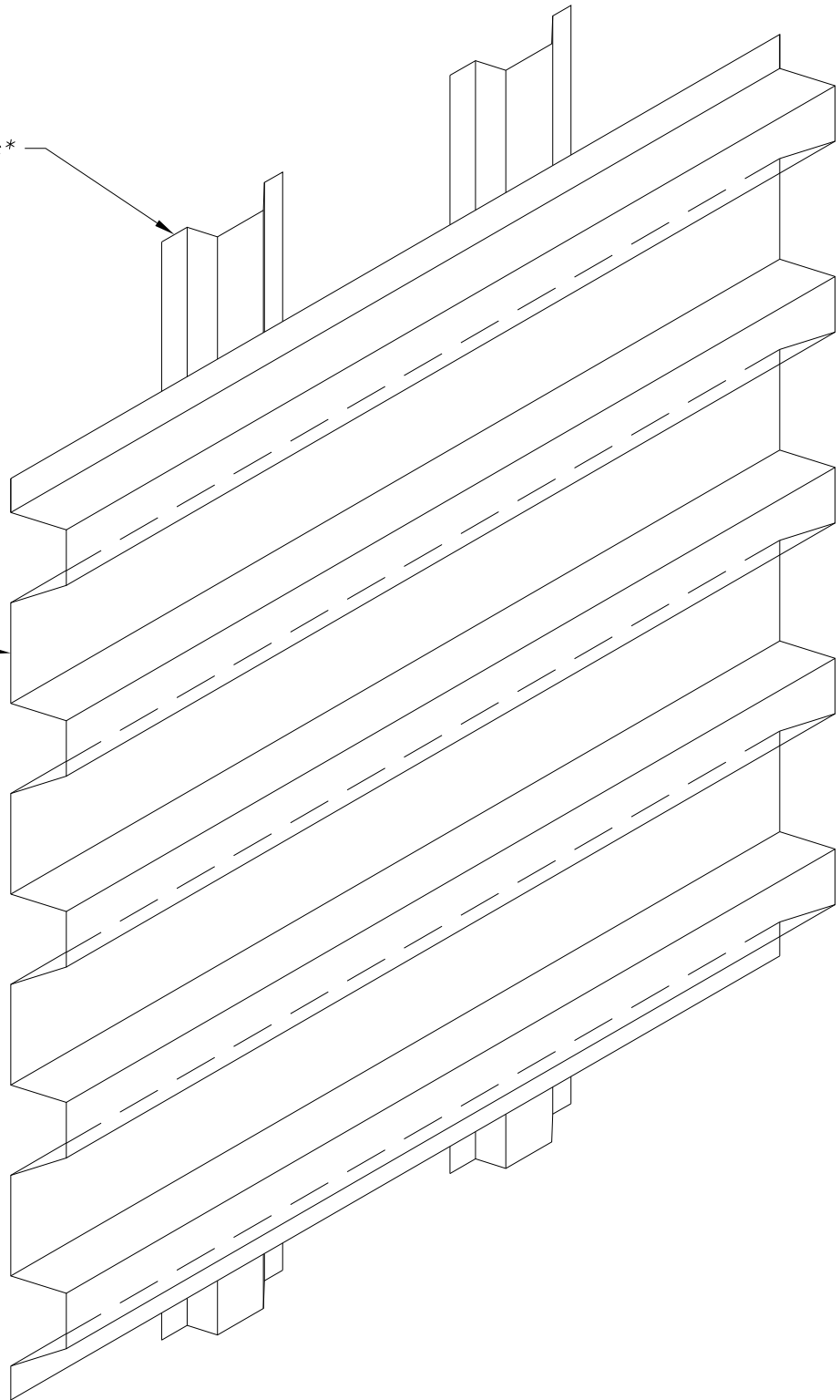


NOTE:
 Information and details are only a baseline for system and installation. Modification to meet project requirement is the responsibility of the designer, architect and contractor. MetalTech-USA project staff are available to assist throughout the design and build process. © 2011 MetalTech-USA. All rights reserved.

<p>UNLESS OTHERWISE SPECIFIED DIMENSIONS ARE IN INCHES</p>  <p>Changing Ideas Into Sustainable Reality.™</p> <p>611 Highway 74 South Suite 900 Peachtree City, GA 30269 Phone: 770-486-8825 770-631-7689</p>	<p>DRAWING NAME: TRAPEZOIDAL WALL PANEL (HORIZONTAL)</p>		<p>REVISION NO: A</p>	<p>DATED CREATED: 10/09/2014</p>
	<p>DWG NO: MT_TWPH_1001</p>		<p>CHECKED BY: ESIMONSEN</p>	<p>APPROVED BY: ESIMONSEN</p>
<p>PROJECT NAME: GENERAL DETAILS</p>				
<p>SCALE: NTS</p>	<p>SHEET NO: 1 OF 5</p>	<p>SIZE: A</p>	<p>TOLERANCES: ANGULAR $\pm 1^\circ$ LINEAR ± 0.06</p>	

Hat channel or "z" girts*

Trapezoidal wall panel *



NOTE:
Information and details are only a baseline for system and installation. Modification to meet project requirement is the responsibility of the designer, architect and contractor. MetalTech-USA project staff are available to assist throughout the design and build process. © 2011 MetalTech-USA. All rights reserved.

UNLESS OTHERWISE SPECIFIED
DIMENSIONS ARE IN INCHES

DRAWING NAME:
TRAPEZOIDAL WALL PANEL (ISOMETRIC)

REVISION NO:
-

DATED CREATED:
10/09/2014



611 Highway 74 South | Suite 900
Peachtree City, GA 30269
Phone: 770-486-8825 | 770-631-7689

DWG NO:
MT_TWPH_1002

CHECKED BY:
ESIMONSEN

APPROVED BY:
ESIMONSEN

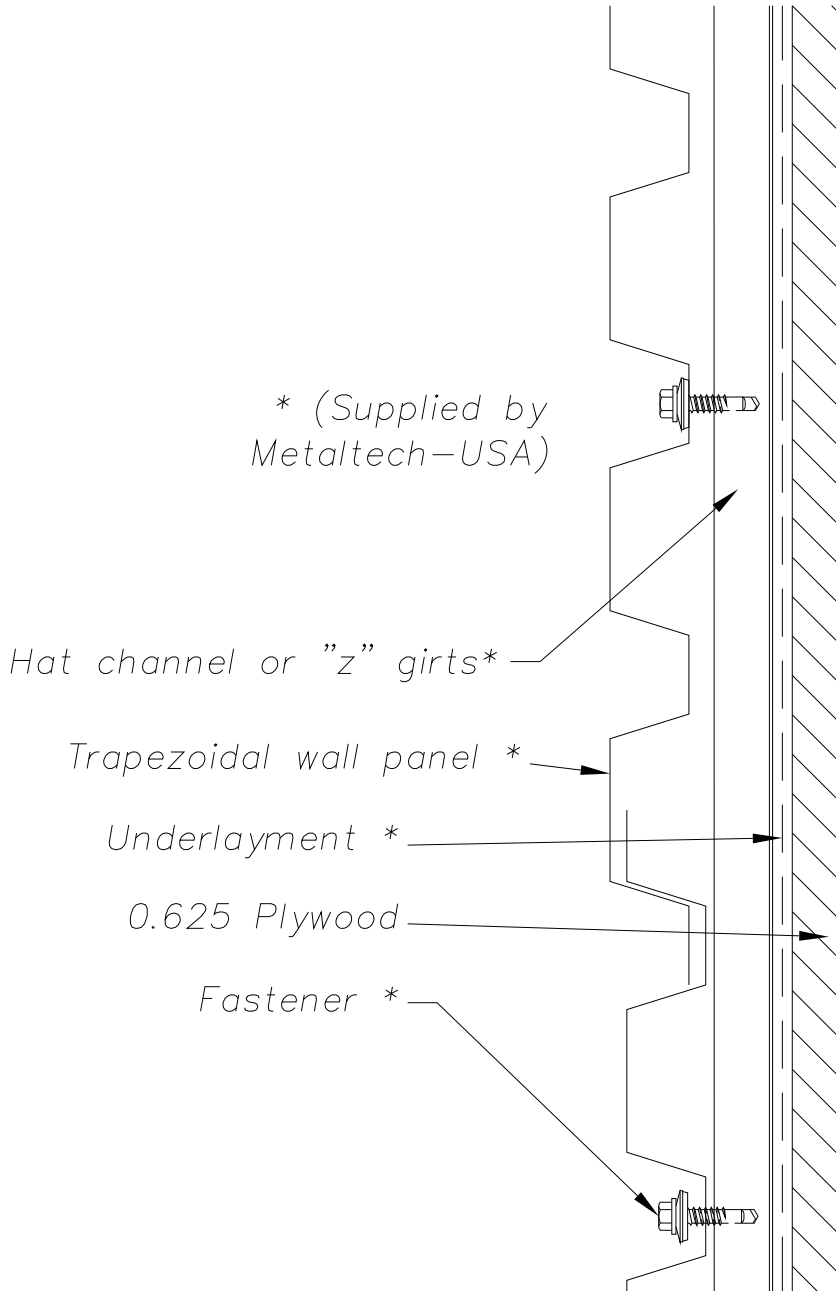
PROJECT NAME:
GENERAL DETAILS

SCALE:
NTS

SHEET NO:
2 OF 5

SIZE:
A

TOLERANCES:
ANGULAR $\pm 1'$ LINEAR ± 0.06

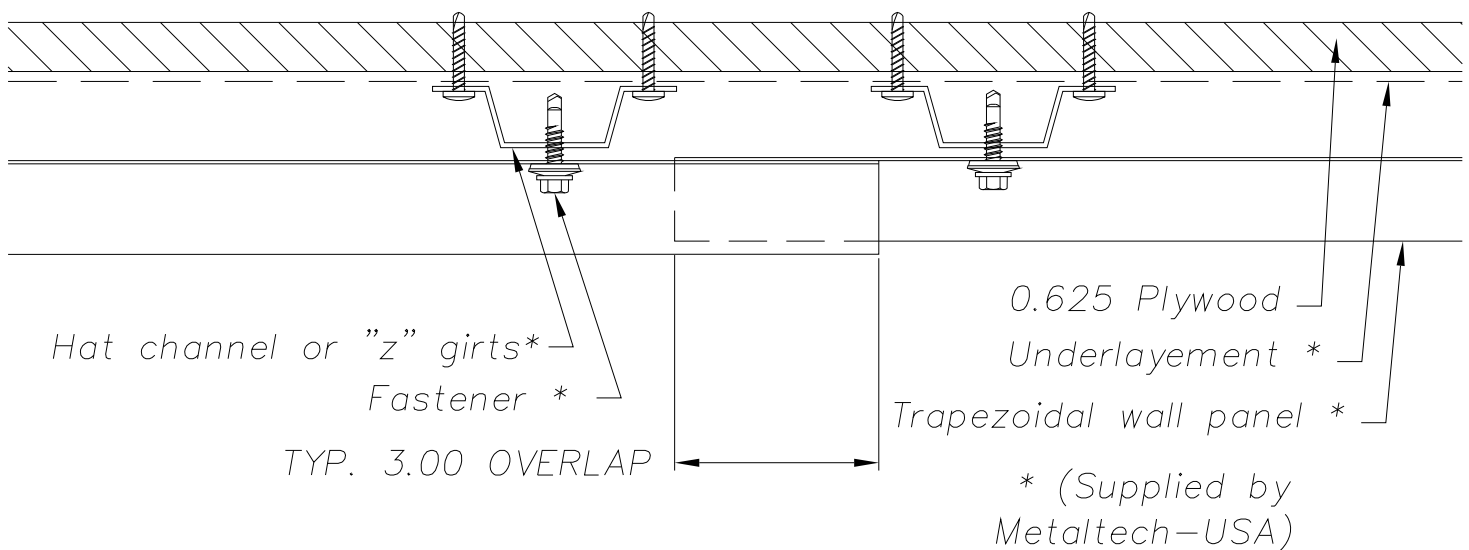


NOTE:
 Information and details are only a baseline for system and installation. Modification to meet project requirement is the responsibility of the designer, architect and contractor. MetalTech-USA project staff are available to assist throughout the design and build process. © 2011 MetalTech-USA. All rights reserved.

UNLESS OTHERWISE SPECIFIED DIMENSIONS ARE IN INCHES	DRAWING NAME: TRAPEZOIDAL WALL ASSEMBLY SECTION		REVISION NO: A	DATED CREATED: 10/09/2014
	DWG NO: MT_TWPH_1003		CHECKED BY: ESIMONSEN	APPROVED BY: ESIMONSEN
PROJECT NAME: GENERAL DETAILS				
SCALE: NTS		SHEET NO: 3 OF 5	SIZE: A	TOLERANCES: ANGULAR $\pm 1'$ LINEAR ± 0.06



611 Highway 74 South | Suite 900
 Peachtree City, GA 30269
 Phone: 770-486-8825 | 770-631-7689

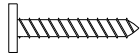


NOTE:
Information and details are only a baseline for system and installation. Modification to meet project requirement is the responsibility of the designer, architect and contractor. MetalTech-USA project staff are available to assist throughout the design and build process. © 2011 MetalTech-USA. All rights reserved.

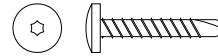
UNLESS OTHERWISE SPECIFIED DIMENSIONS ARE IN INCHES	DRAWING NAME: TRAPEZOIDAL WALL ASSEMBLY PLAN		REVISION NO: A	DATED CREATED: 10/09/2014
	DWG NO: MT_TWPH_1004		CHECKED BY: ESIMONSEN	APPROVED BY: ESIMONSEN
PROJECT NAME: GENERAL DETAILS				
SCALE: NTS		SHEET NO: 4 OF 5	SIZE: A	TOLERANCES: ANGULAR ±1° LINEAR ±0.06

MetalTech-USA
Changing Ideas Into Sustainable Reality.™

611 Highway 74 South | Suite 900
Peachtree City, GA 30269
Phone: 770-486-8825 | 770-631-7689




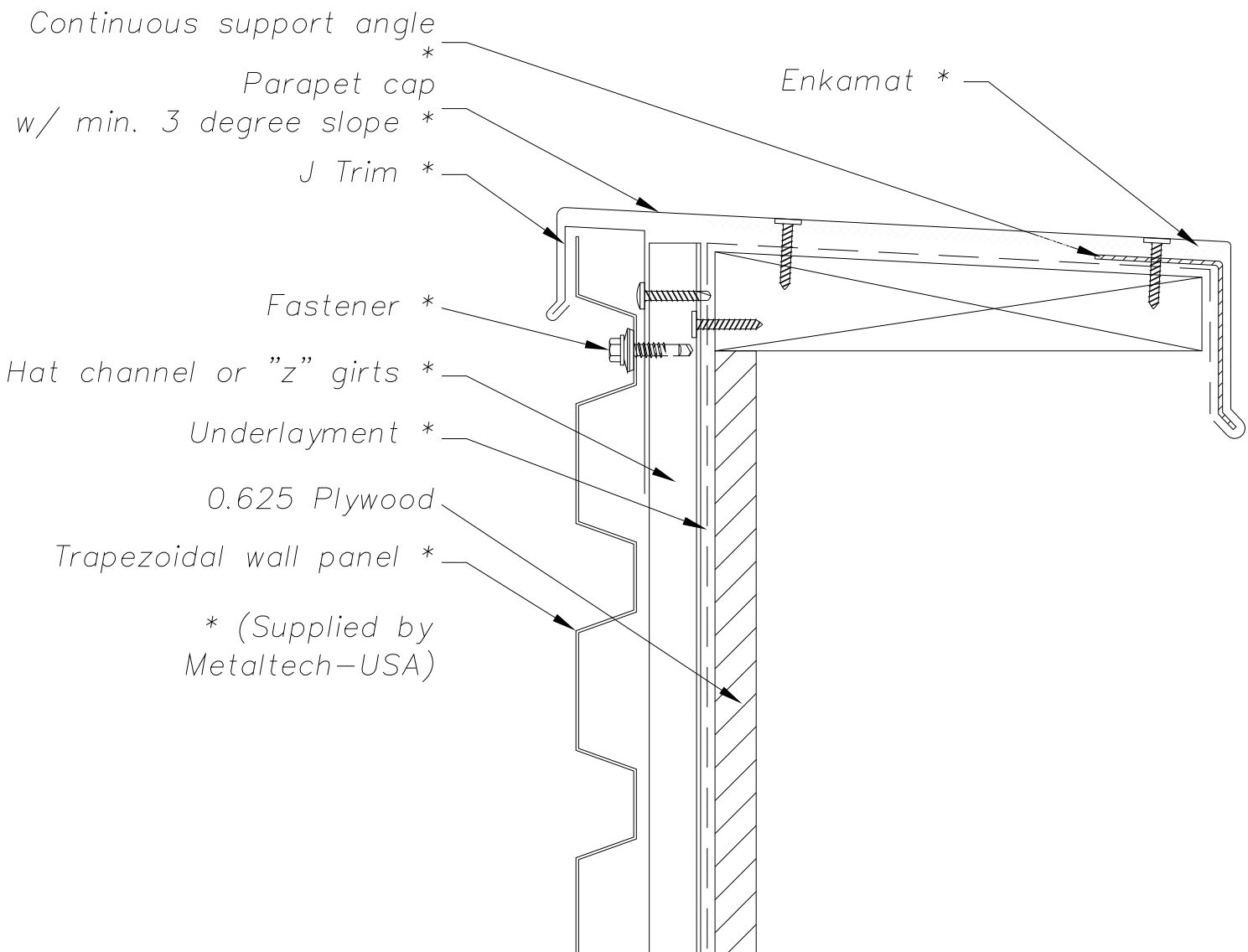
MT101
Wood Applications



MT101SX3
Sheet Metal Applications

NOTE:
Information and details are only a baseline for system and installation. Modification to meet project requirement is the responsibility of the designer, architect and contractor. MetalTech-USA project staff are available to assist throughout the design and build process. © 2011 MetalTech-USA. All rights reserved.

UNLESS OTHERWISE SPECIFIED DIMENSIONS ARE IN INCHES	DRAWING NAME: FASTENERS		REVISION NO: A	DATED CREATED: 10/09/2014
 Changing Ideas Into Sustainable Reality.™ 611 Highway 74 South Suite 900 Peachtree City, GA 30269 Phone: 770-486-8825 770-631-7689	DWG NO: MT_TWPH_1005		CHECKED BY: ESIMONSEN	APPROVED BY: ESIMONSEN
	PROJECT NAME: GENERAL DETAILS			
SCALE: NTS	SHEET NO: 5 OF 5	SIZE: A	TOLERANCES: ANGULAR ±1° LINEAR ±0.06	

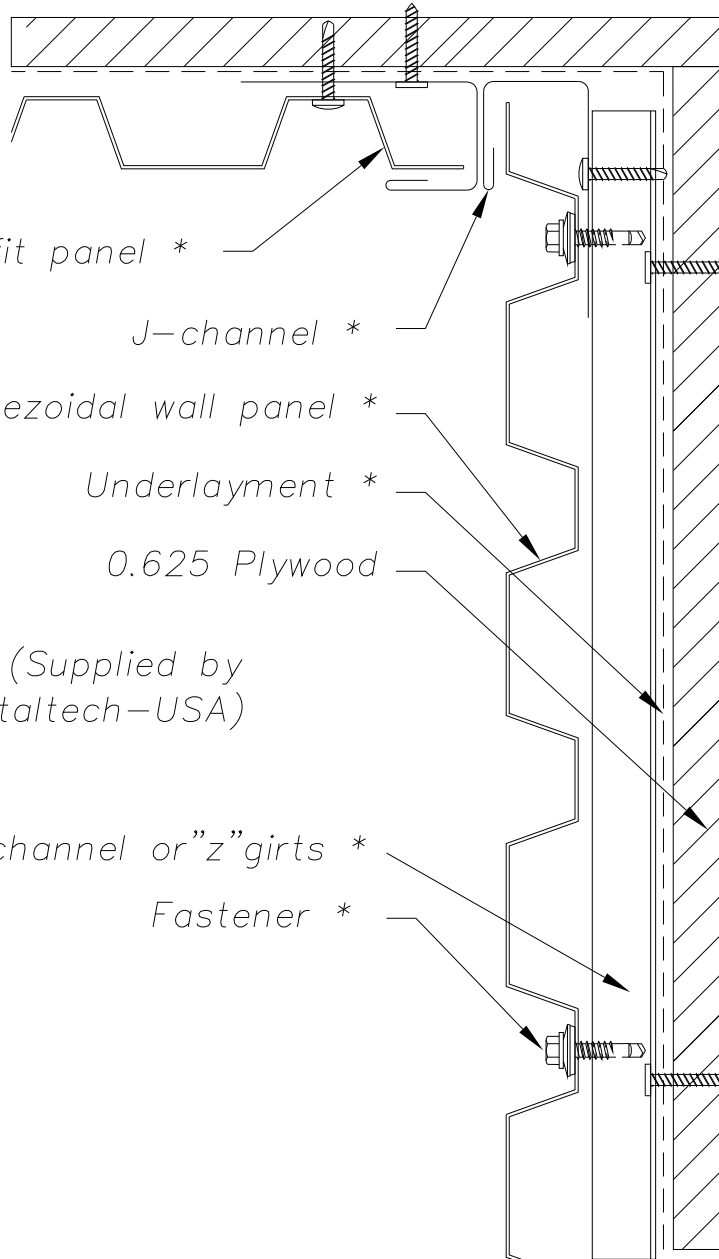


NOTE:
 Information and details are only a baseline for system and installation. Modification to meet project requirement is the responsibility of the designer, architect and contractor. MetalTech-USA project staff are available to assist throughout the design and build process. © 2011 MetalTech-USA. All rights reserved.

UNLESS OTHERWISE SPECIFIED DIMENSIONS ARE IN INCHES	DRAWING NAME: PARAPET DETAIL		REVISION NO: A	DATED CREATED: 10/09/2014
	DWG NO: MT_TWPH_1101		CHECKED BY: ESIMONSEN	APPROVED BY: ESIMONSEN
PROJECT NAME: TOP OF WALL DETAILS				
SCALE: NTS		SHEET NO: 1 OF 2	SIZE: A	TOLERANCES: ANGULAR ±1° LINEAR ±0.06

MetalTech-USA
 Changing Ideas Into Sustainable Reality.™

611 Highway 74 South | Suite 900
 Peachtree City, GA 30269
 Phone: 770-486-8825 | 770-631-7689



Trapezoidal soffit panel *

J-channel *

Trapezoidal wall panel *

Underlayment *

0.625 Plywood

* (Supplied by
Metaltech-USA)

Hat channel or "z" girts *

Fastener *

NOTE:
Information and details are only a baseline for system and installation. Modification to meet project requirement is the responsibility of the designer, architect and contractor. MetalTech-USA project staff are available to assist throughout the design and build process. © 2011 MetalTech-USA. All rights reserved.

UNLESS OTHERWISE SPECIFIED
DIMENSIONS ARE IN INCHES

DRAWING NAME:
WALL TO SOFFIT TRANSITION

REVISION NO:
-

DATED CREATED:
10/09/2014



611 Highway 74 South | Suite 900
Peachtree City, GA 30269
Phone: 770-486-8825 | 770-631-7689

DWG NO:
MT_TWPH_1102

CHECKED BY:
ESIMONSEN

APPROVED BY:
ESIMONSEN

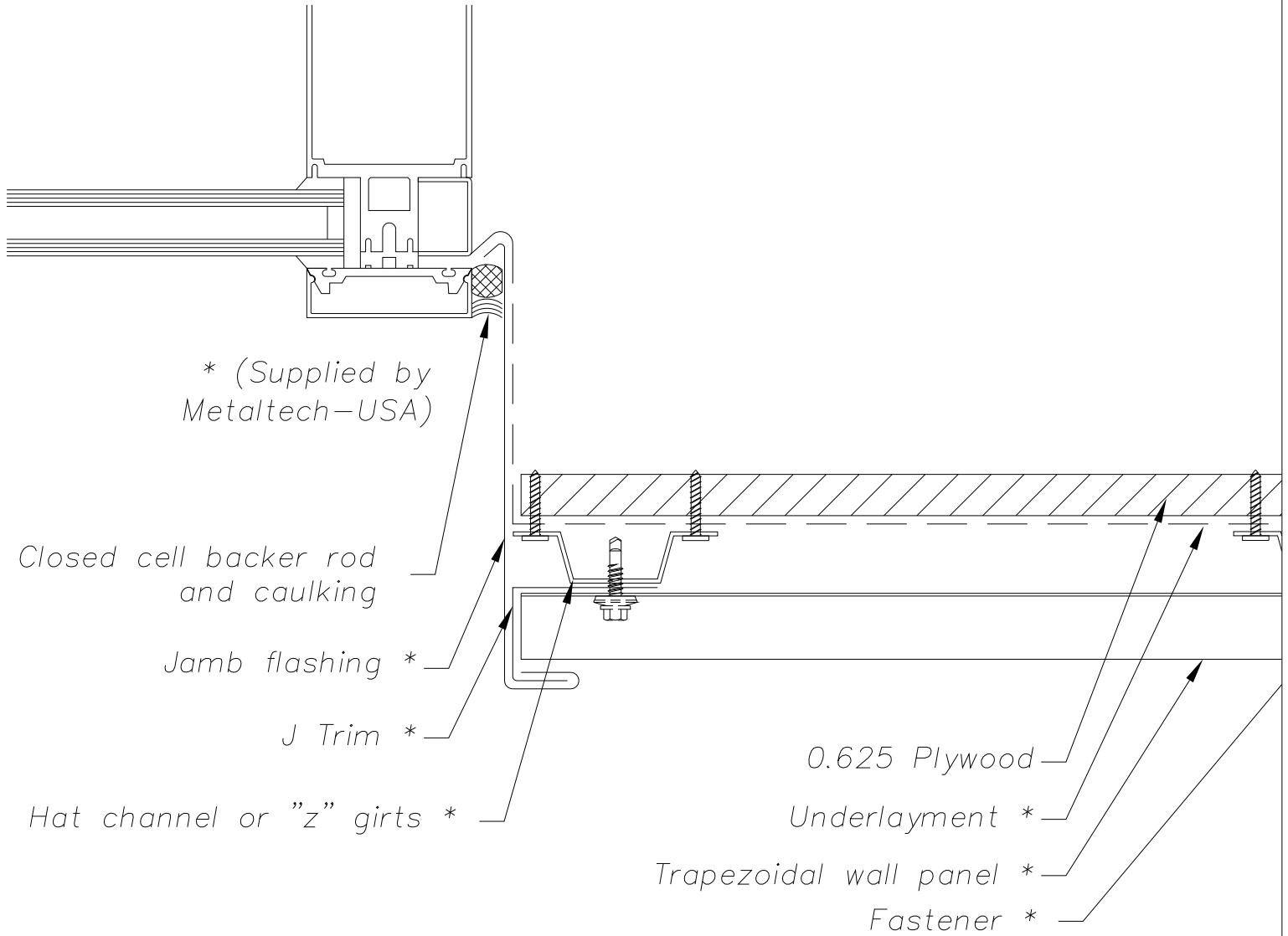
PROJECT NAME:
TOP OF WALL DETAILS

SCALE:
NTS


SHEET NO:
2 OF 2

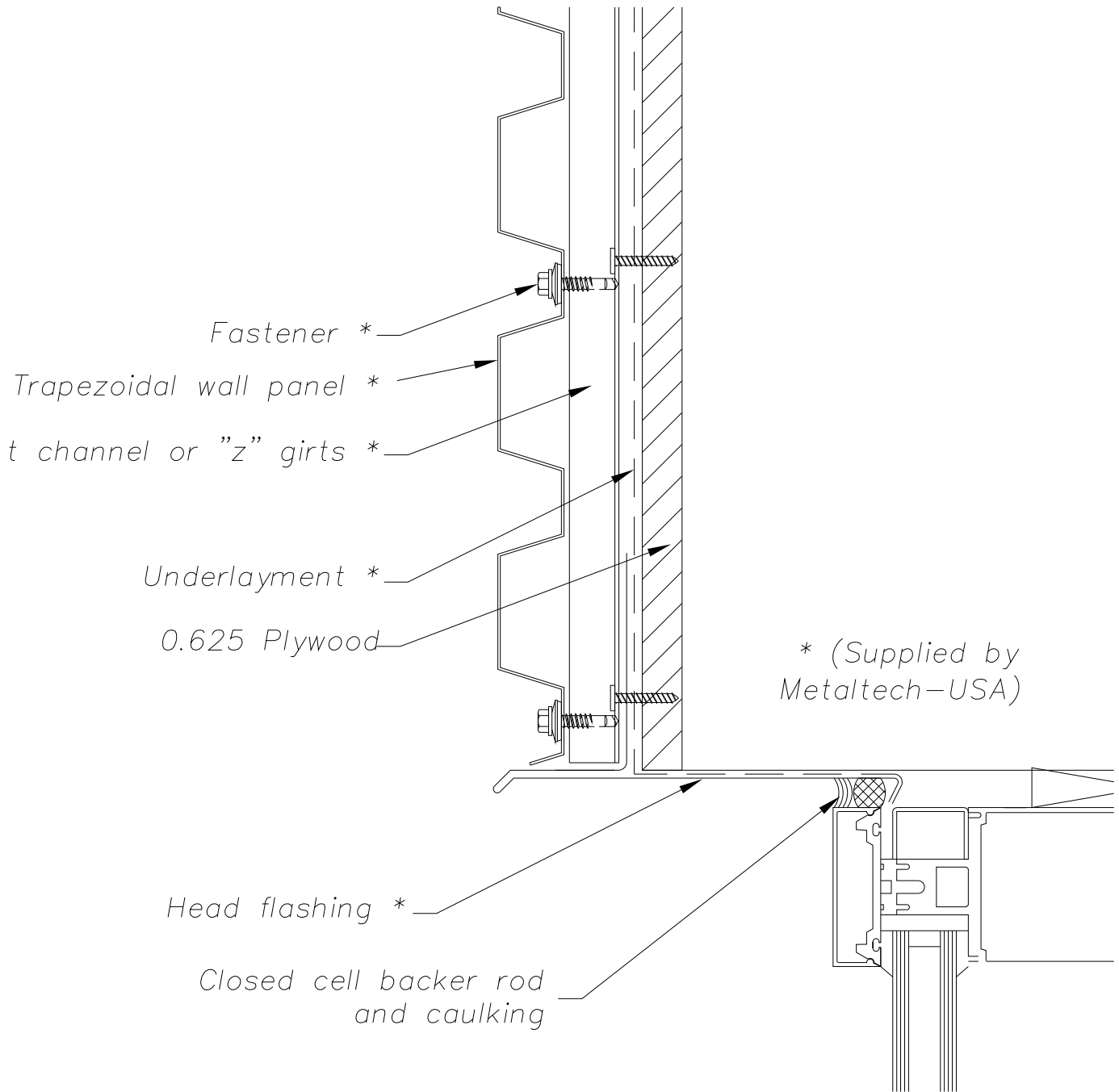
SIZE:
A

TOLERANCES:
ANGULAR $\pm 1'$ LINEAR ± 0.06



NOTE:
 Information and details are only a baseline for system and installation. Modification to meet project requirement is the responsibility of the designer, architect and contractor. MetalTech-USA project staff are available to assist throughout the design and build process. © 2011 MetalTech-USA. All rights reserved.

UNLESS OTHERWISE SPECIFIED DIMENSIONS ARE IN INCHES	DRAWING NAME: JAMB DETAIL	REVISION NO: A	DATED CREATED: 10/09/2014
 Changing Ideas Into Sustainable Reality.™ 611 Highway 74 South Suite 900 Peachtree City, GA 30269 Phone: 770-486-8825 770-631-7689	DWG NO: MT_TWPH_1201	CHECKED BY: ESIMONSEN	APPROVED BY: ESIMONSEN
	PROJECT NAME: WINDOW DETAILS		
SCALE: NTS	SHEET NO: 1 OF 3	SIZE: A	TOLERANCES: ANGULAR ±1° LINEAR ±0.06



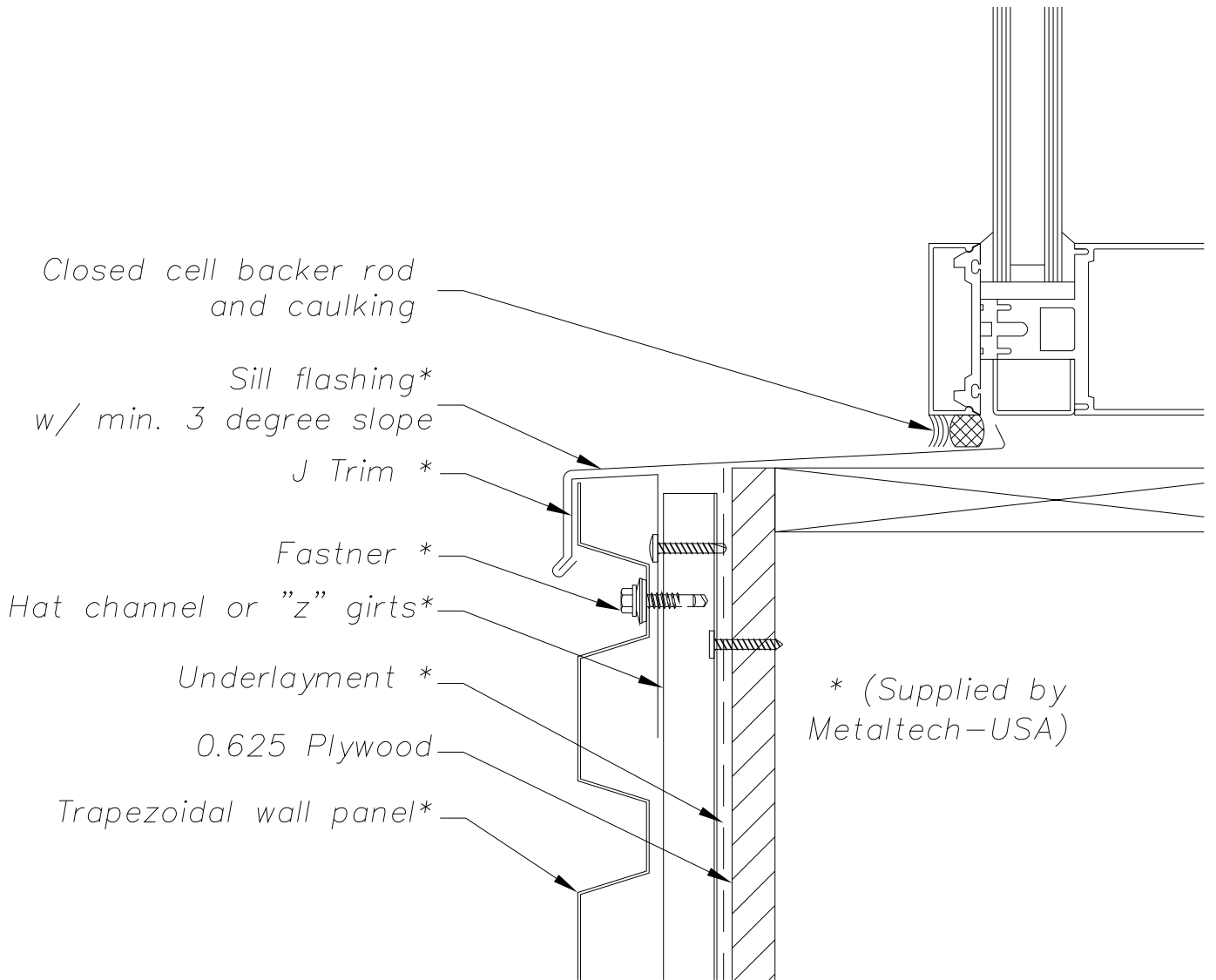
NOTE:
 Information and details are only a baseline for system and installation. Modification to meet project requirement is the responsibility of the designer, architect and contractor. MetalTech-USA project staff are available to assist throughout the design and build process. © 2011 MetalTech-USA. All rights reserved.

UNLESS OTHERWISE SPECIFIED DIMENSIONS ARE IN INCHES	DRAWING NAME: HEAD DETAIL		REVISION NO: A	DATED CREATED: 10/09/2014
	DWG NO: MT_TWPH_1202		CHECKED BY: ESIMONSEN	APPROVED BY: ESIMONSEN
PROJECT NAME: WINDOW DETAILS				
SCALE: NTS		SHEET NO: 2 OF 3	SIZE: A	TOLERANCES: ANGULAR $\pm 1'$ LINEAR ± 0.06




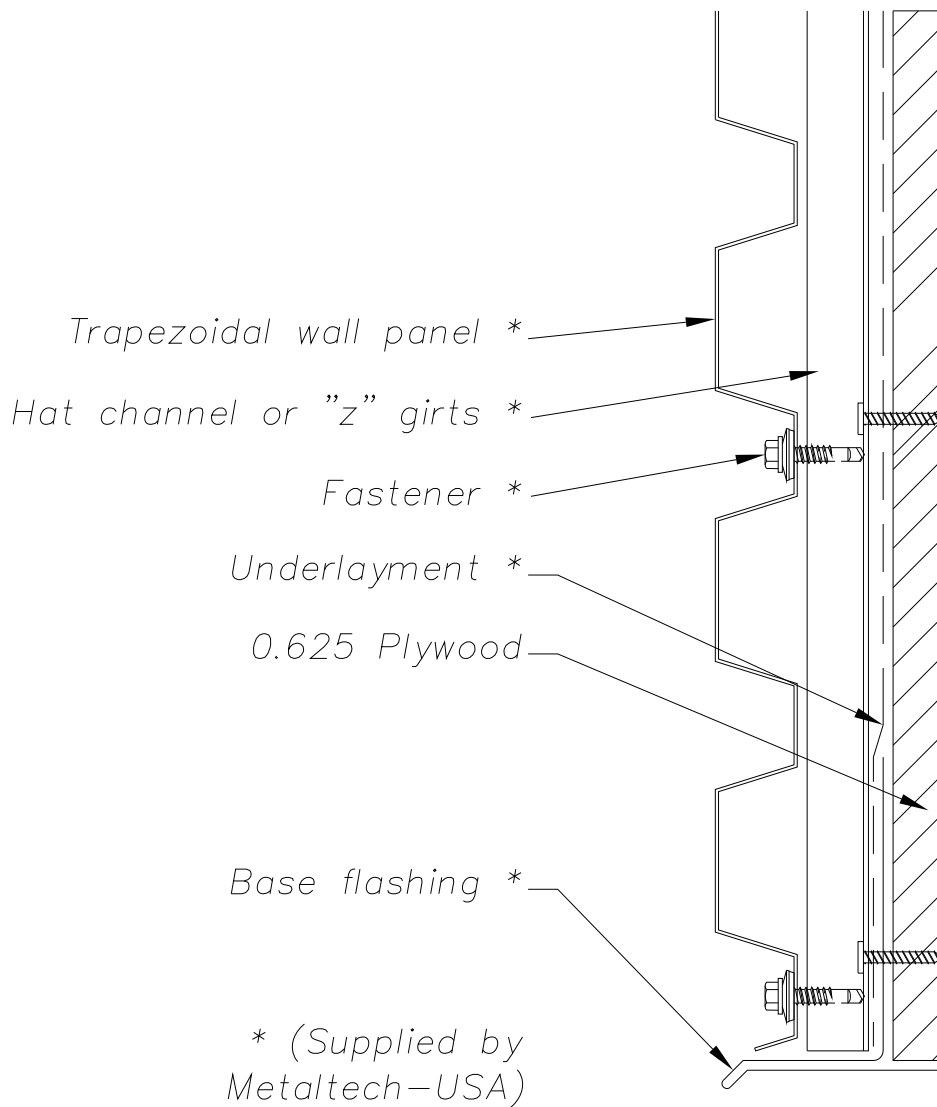
Changing Ideas Into Sustainable Reality.™

611 Highway 74 South | Suite 900
 Peachtree City, GA 30269
 Phone: 770-486-8825 | 770-631-7689




NOTE:
Information and details are only a baseline for system and installation. Modification to meet project requirement is the responsibility of the designer, architect and contractor. MetalTech-USA project staff are available to assist throughout the design and build process. © 2011 MetalTech-USA. All rights reserved.

<p>UNLESS OTHERWISE SPECIFIED DIMENSIONS ARE IN INCHES</p>  <p>MetalTech-USA Changing Ideas Into Sustainable Reality.™</p> <p>611 Highway 74 South Suite 900 Peachtree City, GA 30269 Phone: 770-486-8825 770-631-7689</p>	<p>DRAWING NAME: SILL DETAIL</p>		<p>REVISION NO: A</p>	<p>DATED CREATED: 10/09/2014</p>
	<p>DWG NO: MT_TWPH_1203</p>		<p>CHECKED BY: ESIMONSEN</p>	<p>APPROVED BY: ESIMONSEN</p>
<p>PROJECT NAME: WINDOW DETAILS</p>				
<p>SCALE: NTS</p>	<p>SHEET NO: 3 OF 3</p>	<p>SIZE: A</p>	<p>TOLERANCES: ANGULAR ±1° LINEAR ±0.06</p>	



NOTE: Base flashing not to exceed 1.75 inches unless installed with a stiffener

NOTE: Information and details are only a baseline for system and installation. Modification to meet project requirement is the responsibility of the designer, architect and contractor. MetalTech-USA project staff are available to assist throughout the design and build process. © 2011 MetalTech-USA. All rights reserved.

<p>UNLESS OTHERWISE SPECIFIED DIMENSIONS ARE IN INCHES</p>  <p>MetalTech-USA Changing Ideas Into Sustainable Reality.™</p> <p>611 Highway 74 South Suite 900 Peachtree City, GA 30269 Phone: 770-486-8825 770-631-7689</p>	<p>DRAWING NAME: BASE DETAIL</p>		<p>REVISION NO: A</p>	<p>DATED CREATED: 10/09/2014</p>
	<p>DWG NO: MT_TWPH_1301</p>		<p>CHECKED BY: ESIMONSEN</p>	<p>APPROVED BY: ESIMONSEN</p>
<p>PROJECT NAME: BOTTOM OF WALL DETAILS</p>				
<p>SCALE: NTS</p>	<p>SHEET NO: 1 OF 1</p>	<p>SIZE: A</p>	<p>TOLERANCES: ANGULAR ±1° LINEAR ±0.06</p>	

Trapezoidal wall panels *

Hat channel or "z" girts *

Fastener *

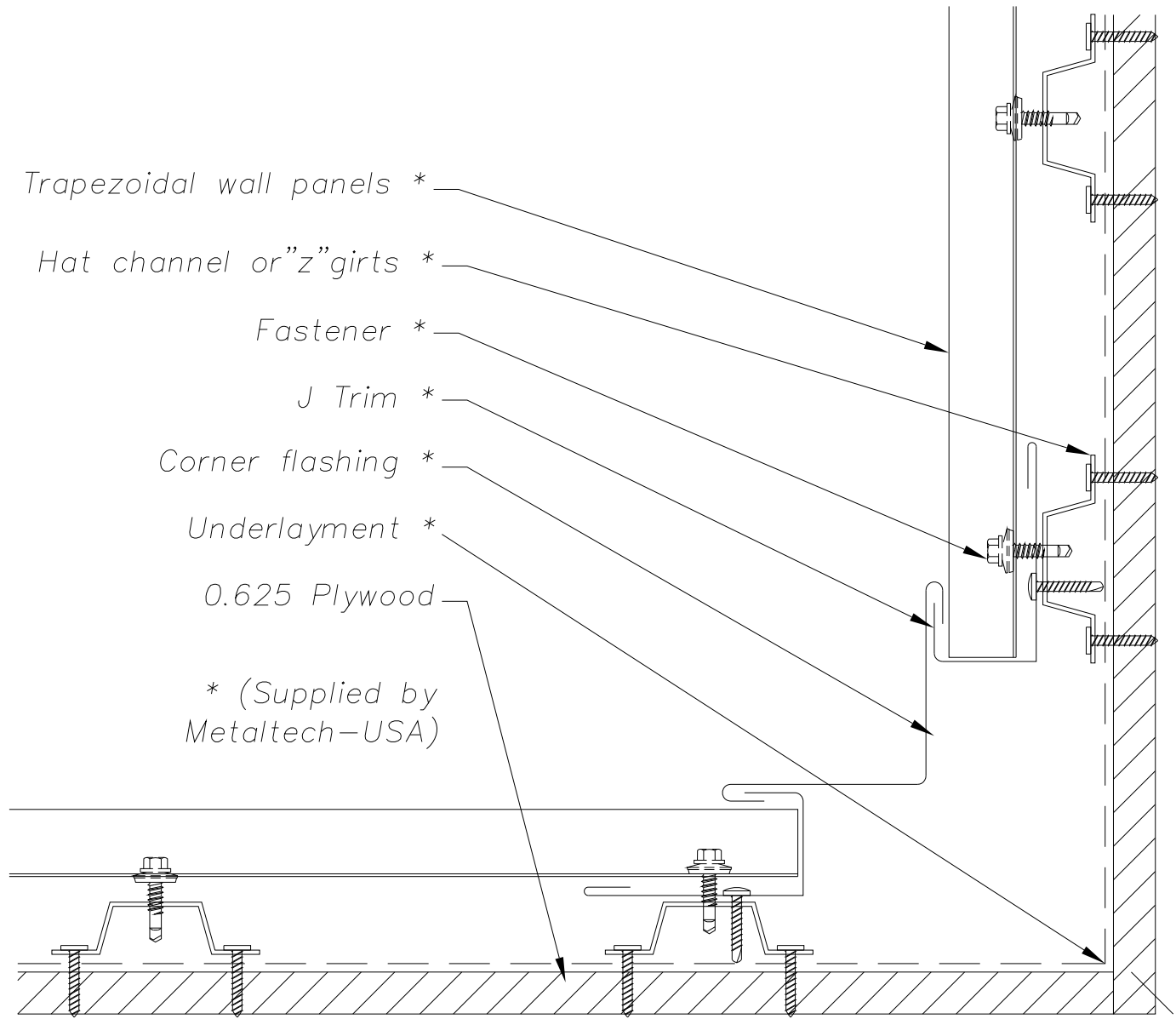
J Trim *

Corner flashing *

Underlayment *

0.625 Plywood

* (Supplied by Metaltech-USA)



NOTE:
 Information and details are only a baseline for system and installation. Modification to meet project requirement is the responsibility of the designer, architect and contractor. MetalTech-USA project staff are available to assist throughout the design and build process. © 2011 MetalTech-USA. All rights reserved.

UNLESS OTHERWISE SPECIFIED
 DIMENSIONS ARE IN INCHES

DRAWING NAME:
 INTERIOR CORNER

REVISION NO:
 A

DATED CREATED:
 10/09/2014



611 Highway 74 South | Suite 900
 Peachtree City, GA 30269
 Phone: 770-486-8825 | 770-631-7689

DWG NO:
 MT_TWPH_1401

CHECKED BY:
 ESIMONSEN

APPROVED BY:
 ESIMONSEN

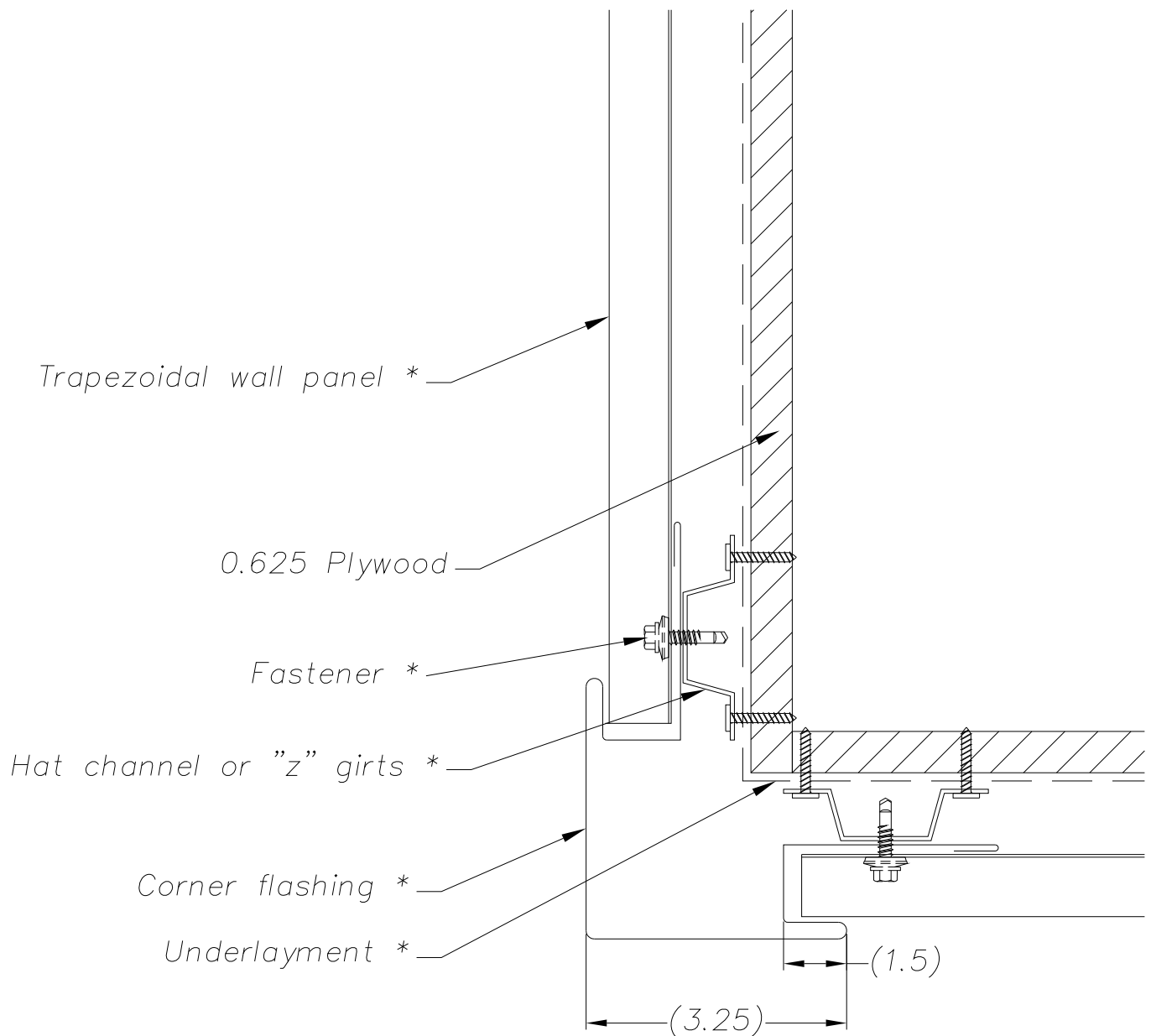
PROJECT NAME:
 INTERIOR DETAILS

SCALE:
 NTS

SHEET NO:
 1 OF 1

SIZE:
 A


TOLERANCES:
 ANGULAR ±1° LINEAR ±0.06



* (Supplied by Metaltech-USA)

NOTE: Minimum difference between exposed corner width and pocket depth equal 1 3/4"

NOTE: Information and details are only a baseline for system and installation. Modification to meet project requirement is the responsibility of the designer, architect and contractor. MetalTech-USA project staff are available to assist throughout the design and build process. © 2011 MetalTech-USA. All rights reserved.

<p>UNLESS OTHERWISE SPECIFIED DIMENSIONS ARE IN INCHES</p>  <p>MetalTech-USA Changing Ideas Into Sustainable Reality.™</p> <p>611 Highway 74 South Suite 900 Peachtree City, GA 30269 Phone: 770-486-8825 770-631-7689</p>	<p>DRAWING NAME: EXTERIOR CORNER</p>		<p>REVISION NO: A</p>	<p>DATED CREATED: 10/09/2014</p>
	<p>DWG NO: MT_TWPH_1501</p>		<p>CHECKED BY: ESIMONSEN</p>	<p>APPROVED BY: ESIMONSEN</p>
<p>PROJECT NAME: EXTERIOR DETAILS</p>				
<p>SCALE: NTS</p>	<p>SHEET NO: 1 OF 1</p>	<p>SIZE: A</p>	<p>TOLERANCES: ANGULAR ±1° LINEAR ±0.06</p>	